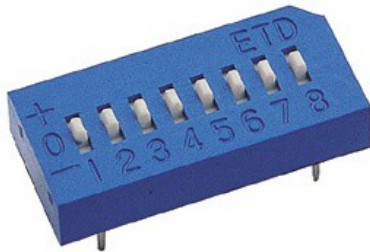


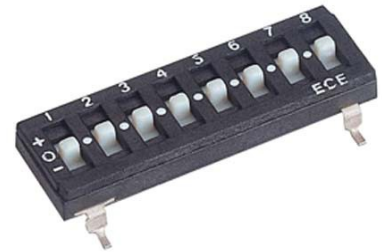
ETD/ETA/ETS SERIES TRI-STATE TYPE



ETD



ETA



ETS

■ FEATURES

- With three state (1, open, 0) setting function, especially suitable for encoding/decoding of tri-state encoder/decoder integrated circuit to obtain more security codes than traditional two-state (1,0) operation. For instance, 9 bits with tri-state gets 19,683 (3^9) codes, while two-state has 512 (2^9) codes, gains 38 times more codes with a ECE tri-state DIP Switch
- Bottom sealed to ensure free of flux immersion during wave soldering
- All plastics are UL 94V-0 grade fire retardant
- Gold plated contact to ensure low contact resistance and Tin plated terminals to prevent contamination during soldering
- Twin contacts designed to ensure stable contact
- Ideal for coding tele-communication, transceiving, remote control and burglar alarm systems which use integrated circuits with tri-state coding systems
- RoHS Compliant
- Halogen Free series available

■ APPLICATIONS

- Numerical setting for computer terminal equipment
- Price setting for vending machines
- Programming for game machines
- Programming for industrial equipment and measuring instruments

■ SPECIFICATIONS

1.ELECTRICAL

● Contact rating	
switching	25mA, 24VDC
non-switching	100mA

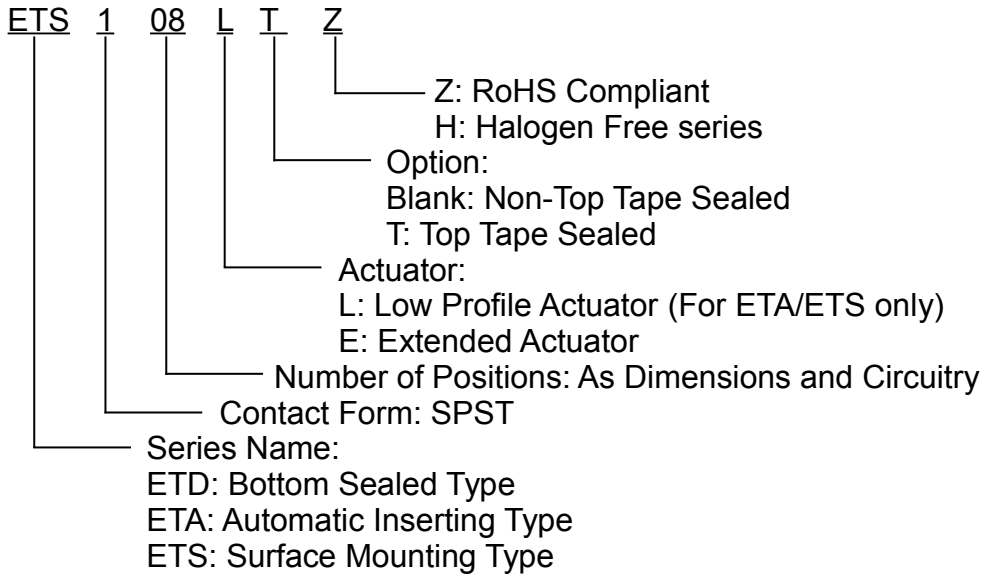


● Contact resistance	
initial	50mΩ Max.
after life test	100mΩ Max.
● Insulation resistance	1000MΩ Min. at 100VDC
● Dielectric strength	500VDC Min. for 60 seconds
● Capacitance between adjacent switches 5pF Max.	

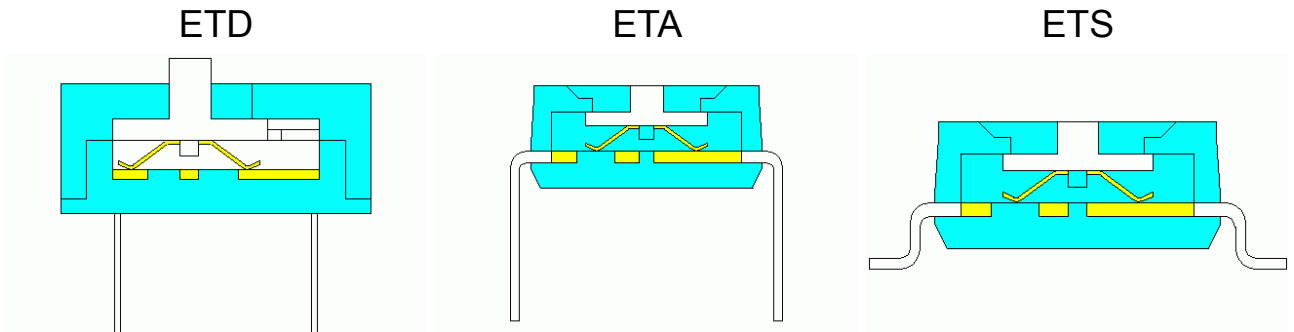
2.MECHANICAL and ENVIRONMENTAL

● Temperature rating	operating	-40°C to +85°C
	storage	-40°C to +85°C
● Operation force	800g Max.	
● Mechanical life	2000 operations	
● Humidity	95 %RH, 40°C for 96 Hrs.	
● Vibration	10Hz-55Hz-10Hz for 6 Hrs.	
● Solderability (for through hole type)	After flux 245±5°C for 5±1 seconds	
● Resistance to soldering heat	Solder bath:260±5°C for 5±1 seconds. Solder reflow:peak temperature 260°C Max.	
● Reflow soldering process for SMT type	Reference IEC61760	

■ PART NUMBERING SYSTEM



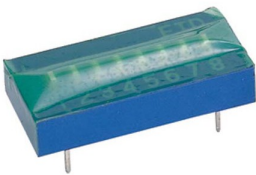
■ CONSTRUCTION



■ OPTIONS

1. Tape Sealed

ETDxxxET



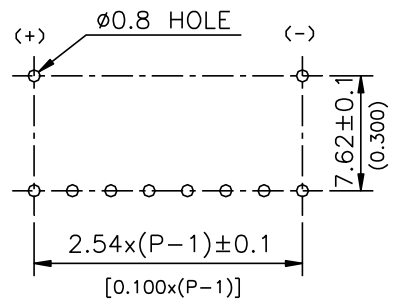
ETSxxxLT



ETAxxxLT



2. Reverse P.C.B. LAYOUT available

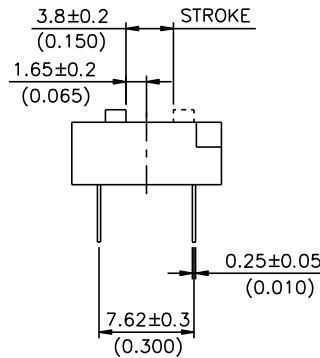
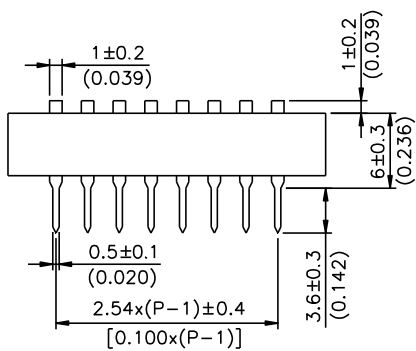
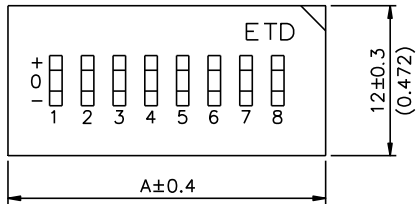


DIMENSIONS AND CIRCUITRY

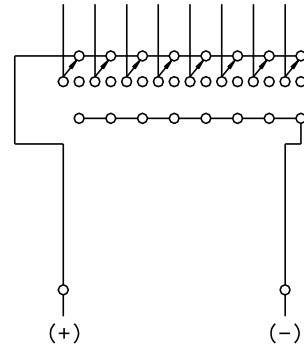
ETD SERIES

Dimension A UNIT:mm(inch)

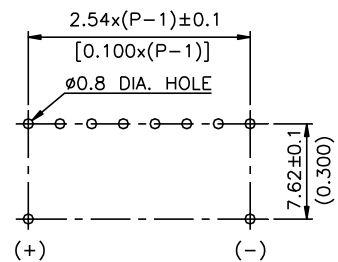
Positions	4	5	6	7	8	9	10
A	15.30 (0.602)	17.84 (0.702)	20.38 (0.802)	22.92 (0.902)	25.46 (1.002)	28.00 (1.102)	30.54 (1.202)



CIRCUIT DIAGRAM



P.C.B. LAYOUT (TOP VIEW)

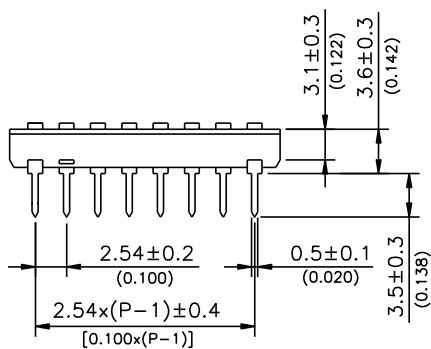
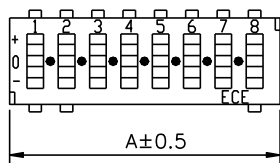


ETA SERIES

Dimension A UNIT:mm(inch)

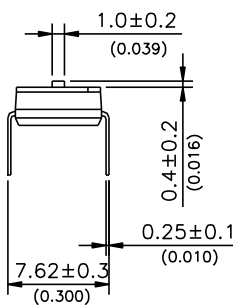
Positions	2	3	4	5	6	7	8	9	10	12
A	6.88 (0.263)	9.22 (0.363)	11.76 (0.463)	14.30 (0.563)	16.84 (0.663)	19.38 (0.763)	21.92 (0.863)	24.46 (0.963)	27.00 (1.063)	32.08 (1.263)

*ETA series: 2, 3 and 6 pole switches are unavailable

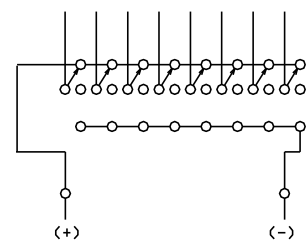


(L)TYPE

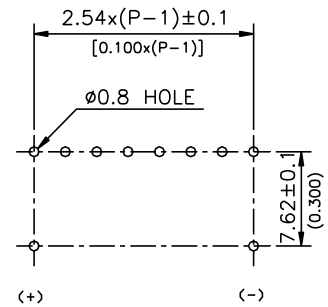
(E)TYPE



CIRCUIT DIAGRAM



P.C.B. LAYOUT (TOP VIEW)



ETS SERIES

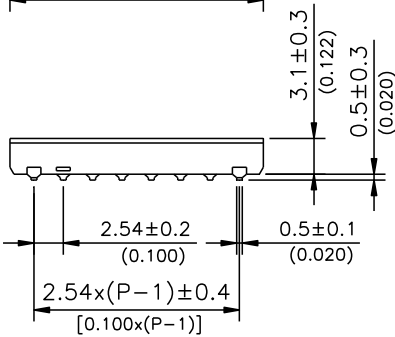
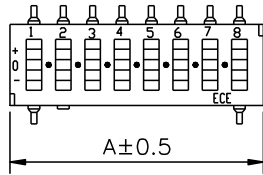
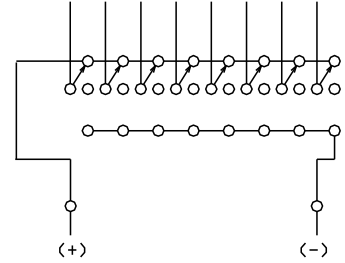
Dimension A

UNIT: mm(inch)

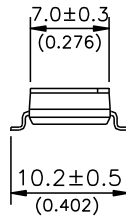
Positions	2	3	4	5	6	7	8	9	10	12
A	6.88 (0.263)	9.22 (0.363)	11.76 (0.463)	14.30 (0.563)	16.84 (0.663)	19.38 (0.763)	21.92 (0.863)	24.46 (0.963)	27.00 (1.063)	32.08 (1.263)

*ETS series: 2, 3 and 6 pole switches are unavailable

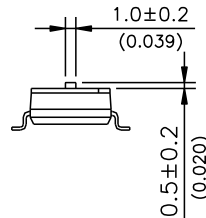
CIRCUIT DIAGRAM



(L)TYPE



(E)TYPE



P.C.B. LAYOUT (TOP VIEW)

