



Terminal Block

WIRE TO P.C.B. TYPE TERMINAL BLOCK

E133988(R)

ETB57 SERIES

MOUNT ENDS WITH COVER TYPE /
DOVETAIL WITH COVER TYPE

PITCH=10mm

FEATURES

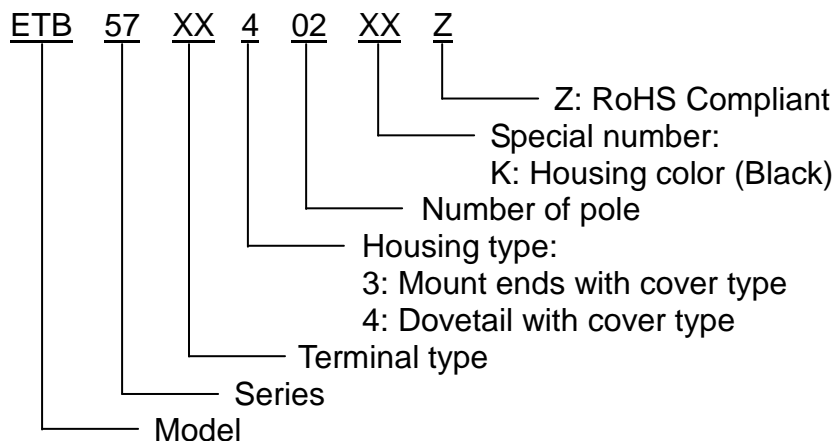
- Safety cover design for preventing electric shock hazard
- Easy to assemble for any number of positions
- End stackable without any loss of P.C.B. space
- Special wire protector design to ensure reliable wire clamping
- UL 94V-0 grade fire retardant engineering plastic used for the housing
- Be capable of clamping a wide range of wire diameters
- Compact size for P.C.B.

SPECIFICATIONS

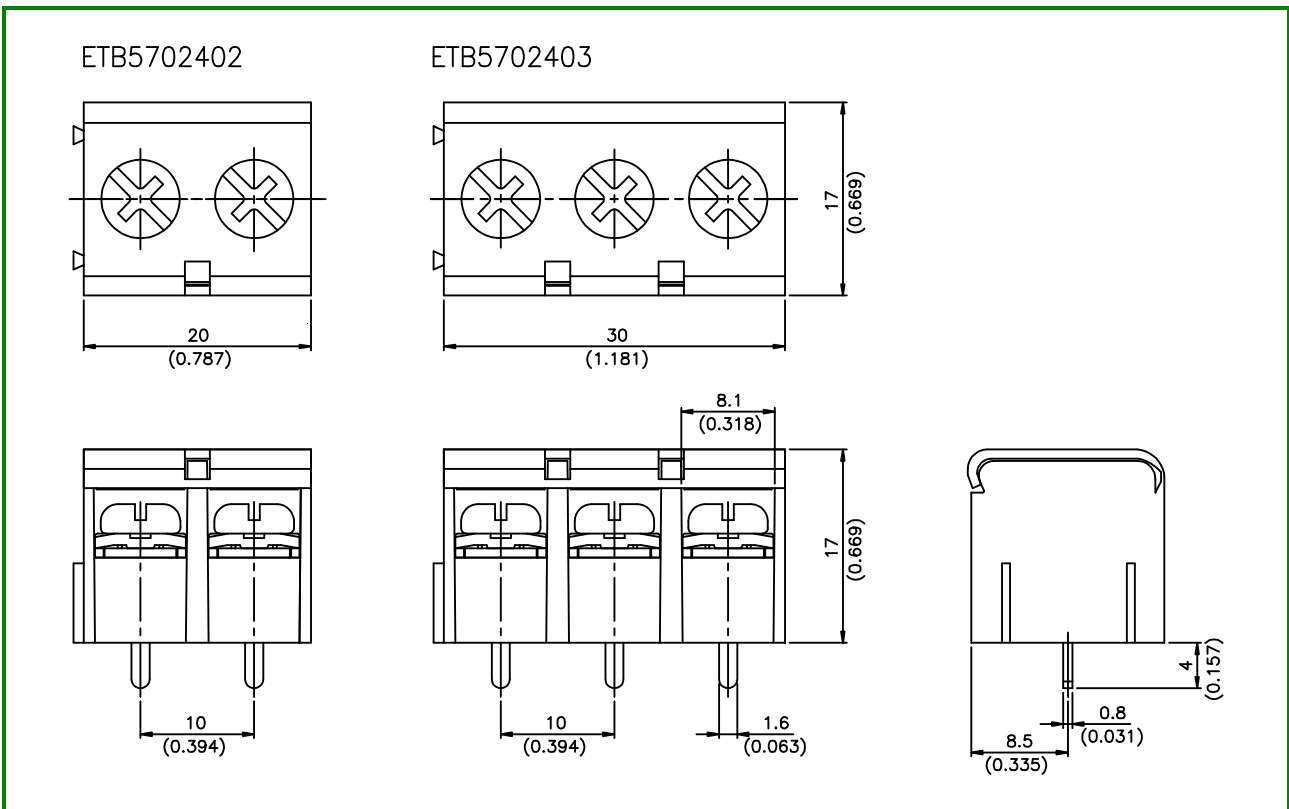
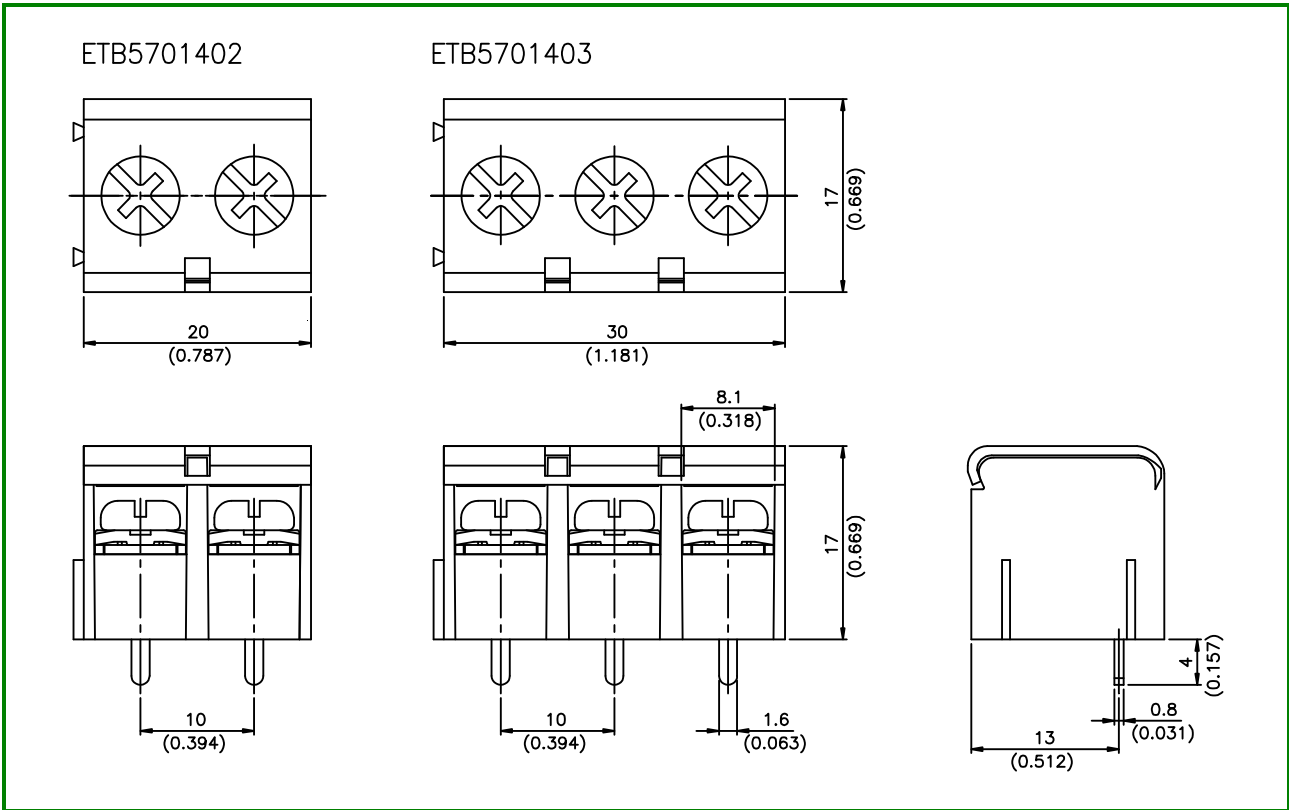
- Pitch 10mm (0.394 inch)
- Wire range 12~22 AWG
- Rating 20 Amp, 300 VAC
- Housing material Polyamide 66 resin (UL 94V-0)
- Terminals Tin plated over Brass
- Screws Nickel plated over Steel
- Dielectric strength 2000 VAC (Min.)
- Insulation resistance 1000 MΩ, 500 VDC



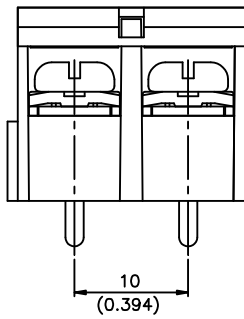
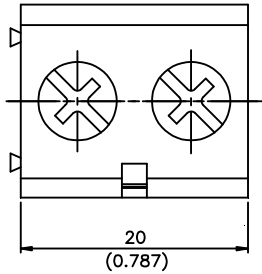
PART NUMBERING SYSTEM



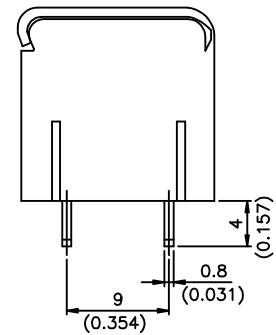
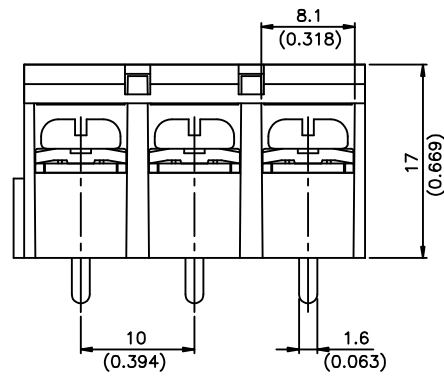
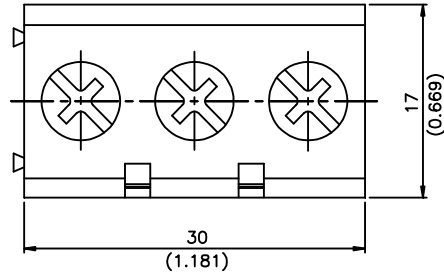
■ DRAWING (DOVETAIL WITH COVER TYPE)



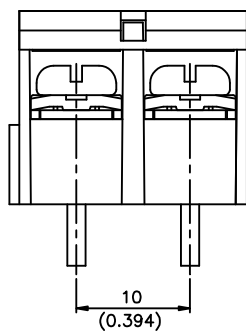
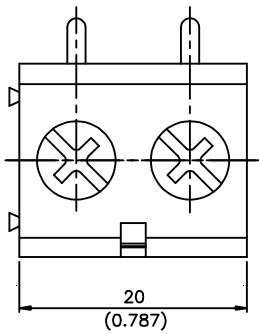
ETB5703402



ETB5703403



ETB5704402



ETB5704403

