

WIRE TO P.C.B. TYPE TERMINAL BLOCK

TÜV R50008092
E133988(R)

ETB52 SERIES

MOUNT TYPE / BARRIER TYPE

PITCH=8.25mm

FEATURES

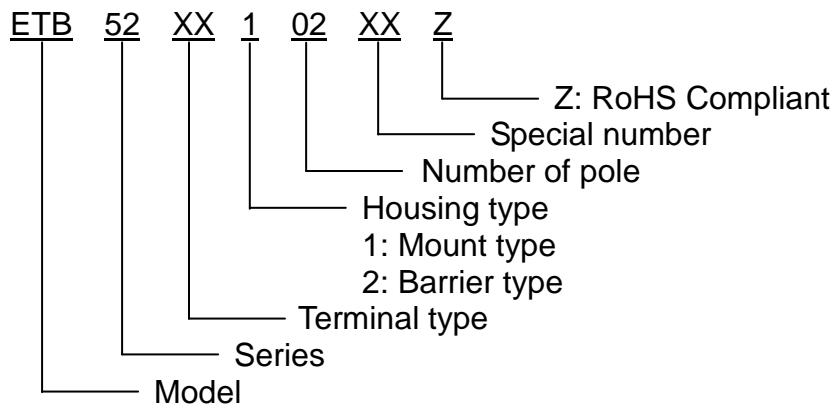
- Can be supplied in any number of positions
- Special wire protector design to ensure reliable wire clamping
- UL 94V-0 grade fire retardant engineering plastic used for the housing
- Be capable of clamping a wide range of wire diameters
- Wide choice of pitch & terminal

SPECIFICATIONS

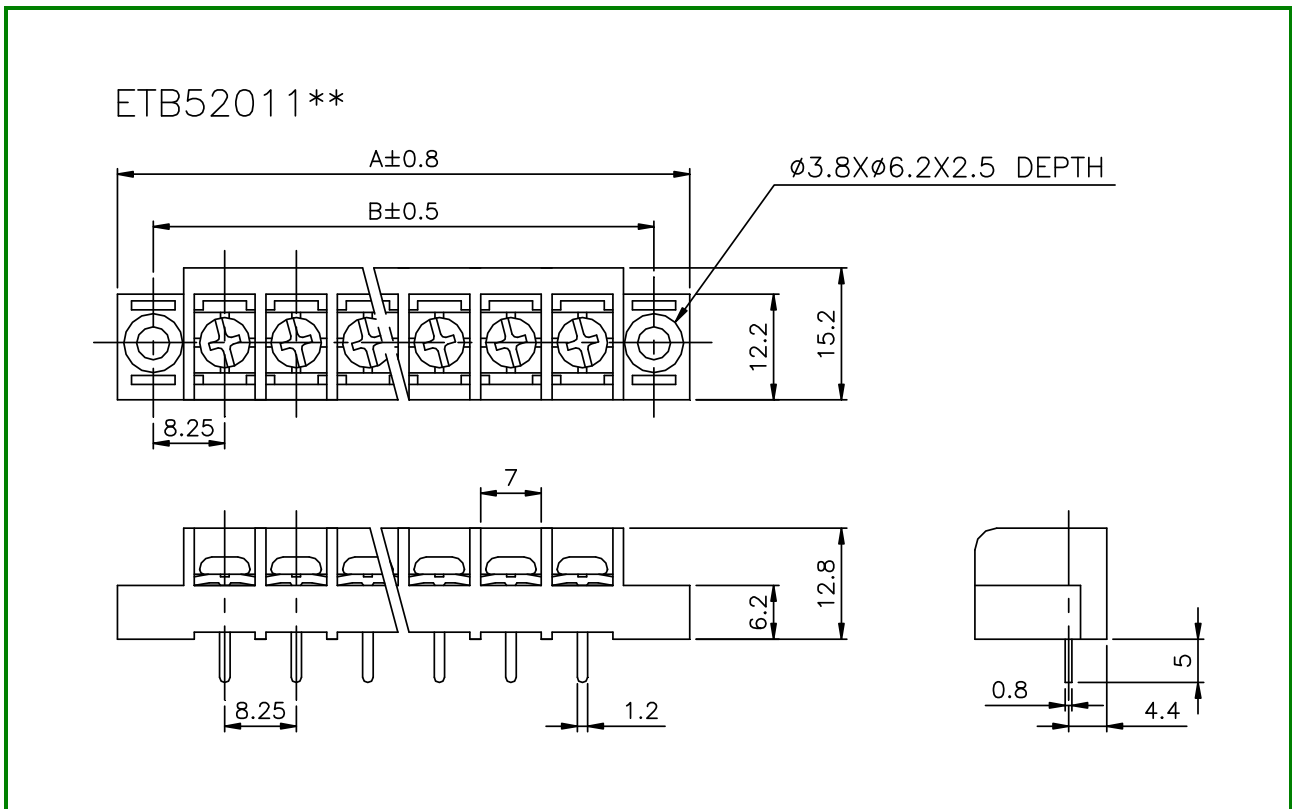
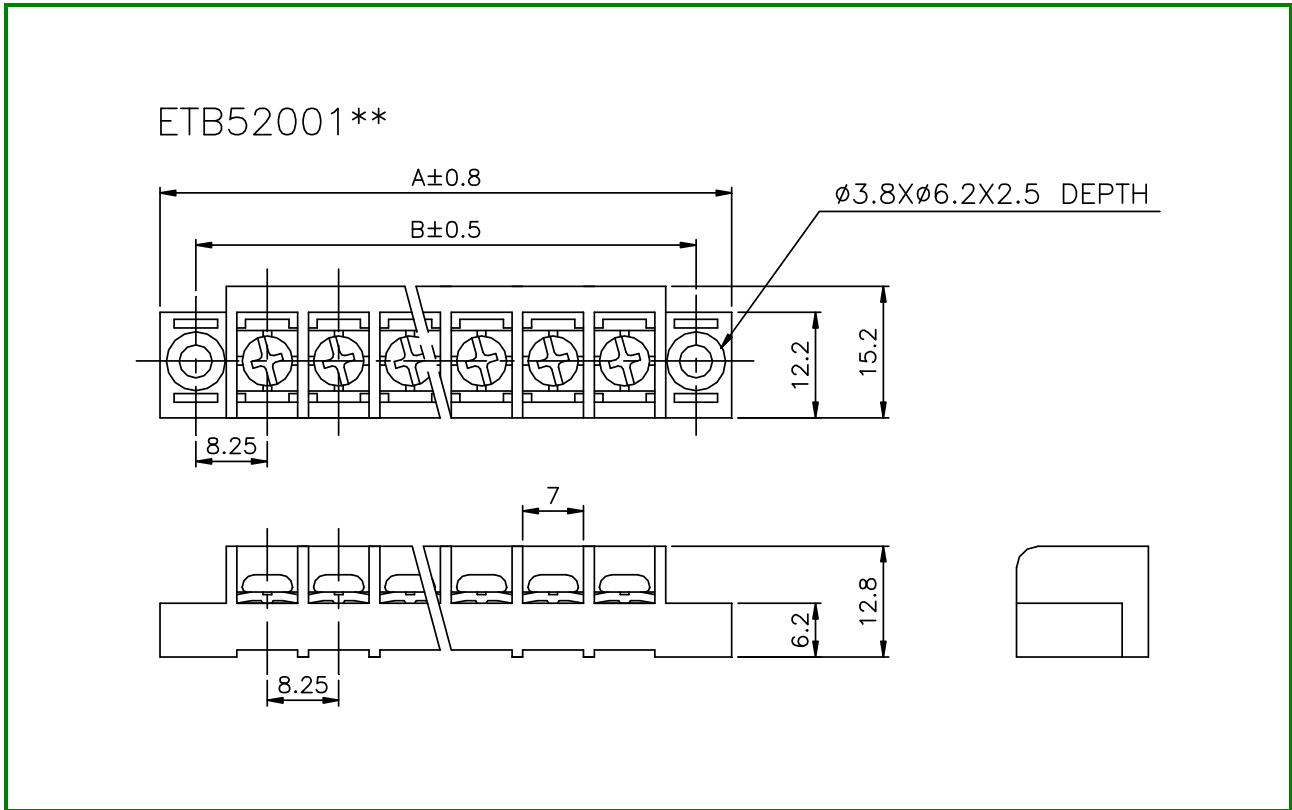
- Pitch 8.25mm (0.325 inch)
- Wire range 14~22 AWG
- Rating 15 Amp, 300 VAC
- Housing material Thermoplastic (UL 94V-0) Black
- Terminals Tin plated over Brass
- Screws Nickel plated over Steel
- Dielectric strength 2000 VAC (Min.)
- Insulation resistance 1000 MΩ, 500 VDC



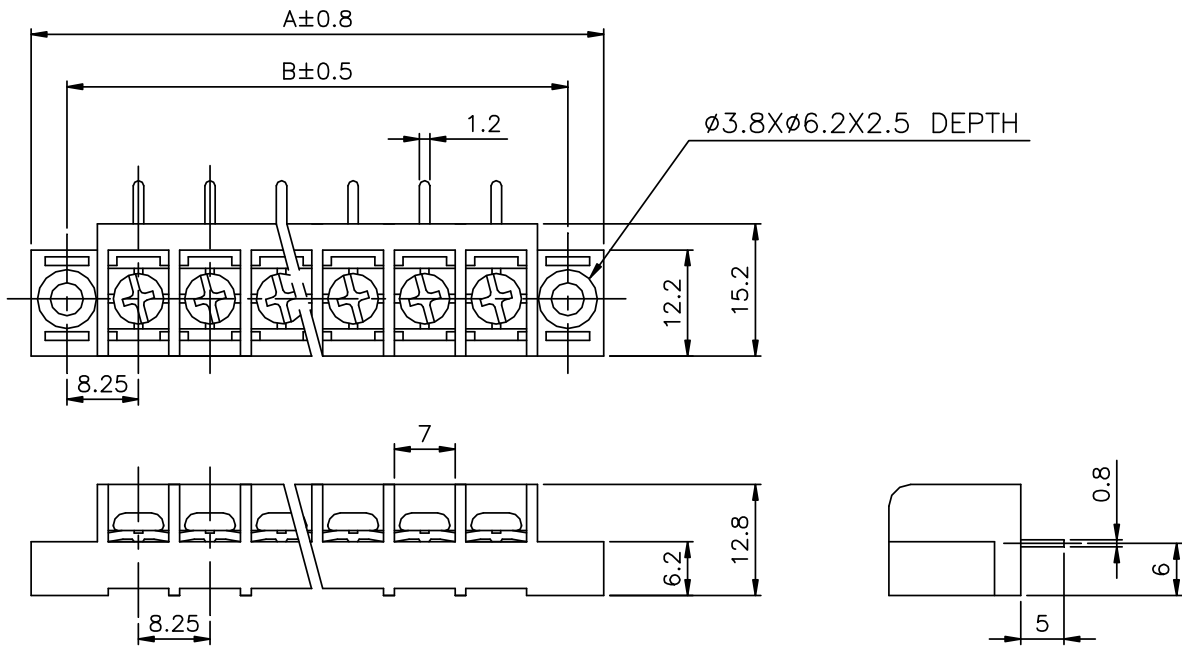
PART NUMBERING SYSTEM



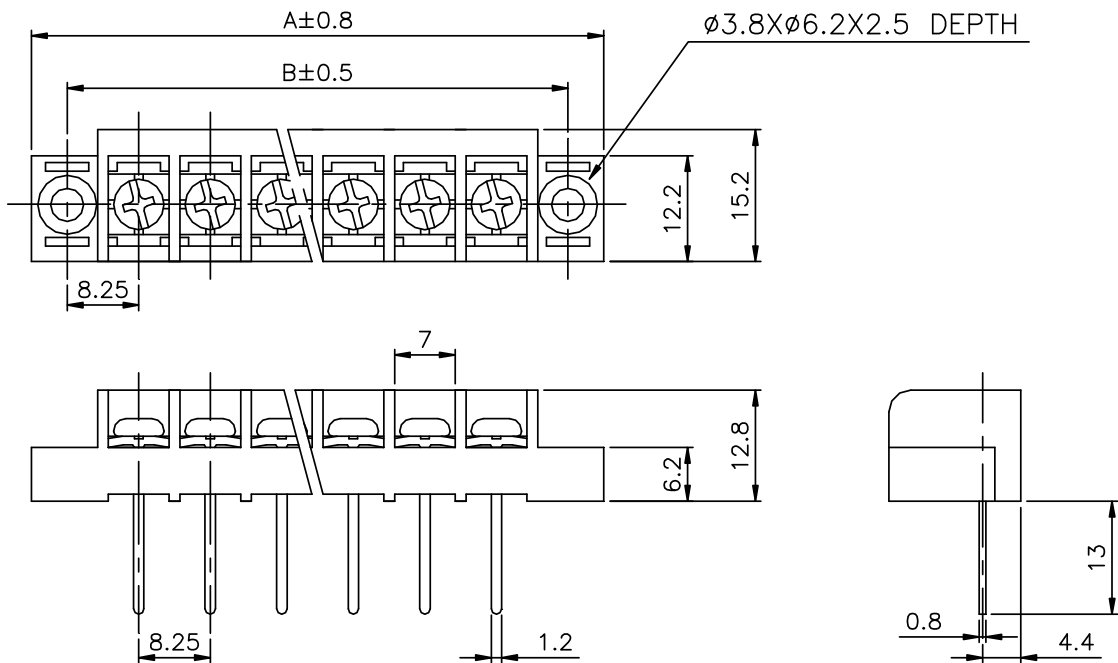
■ DRAWING (MOUNT TYPE)



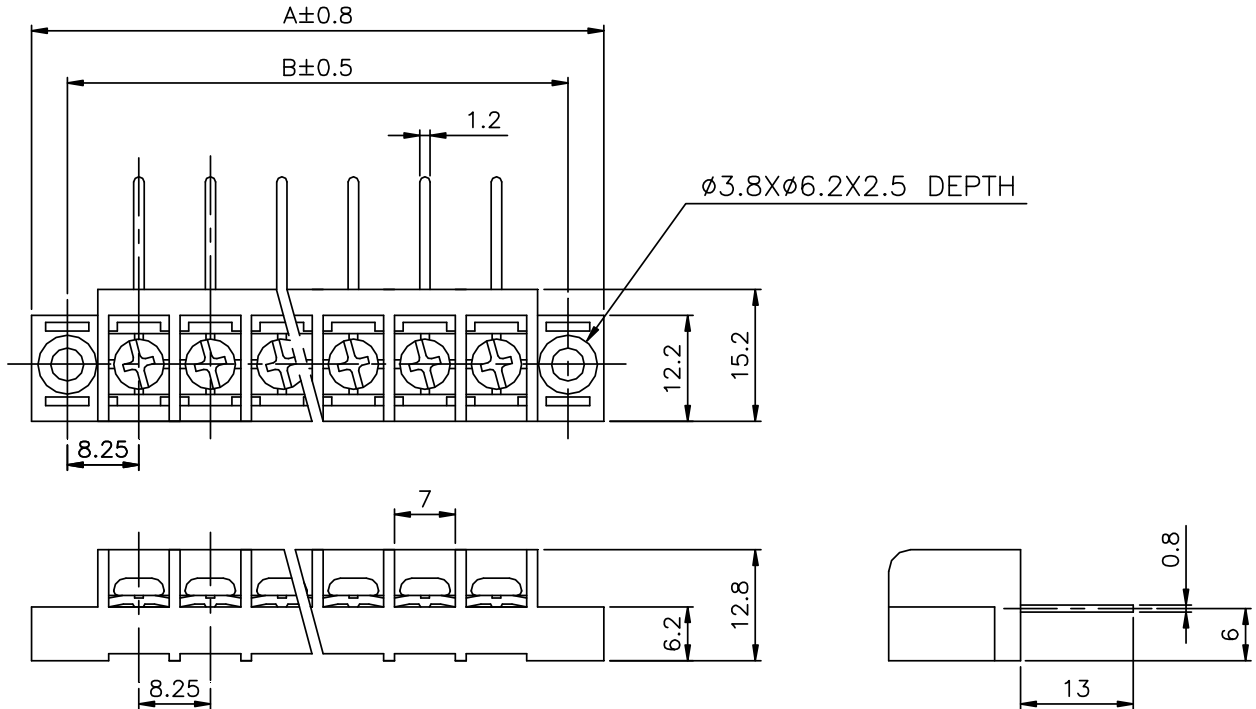
ETB52021**



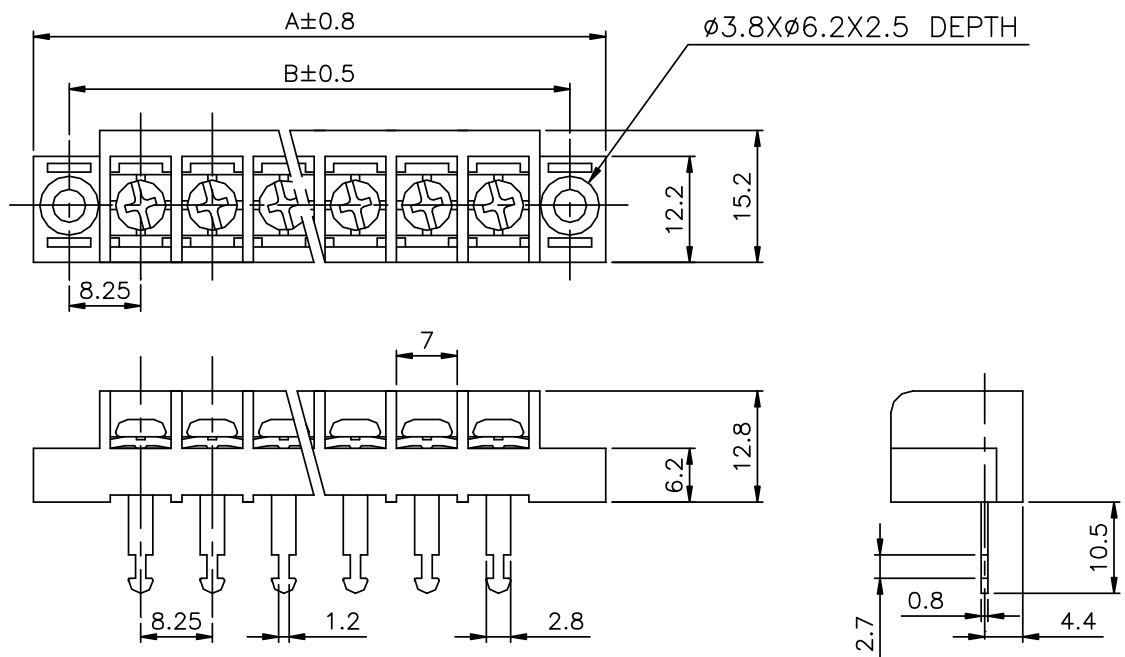
ETB52031**



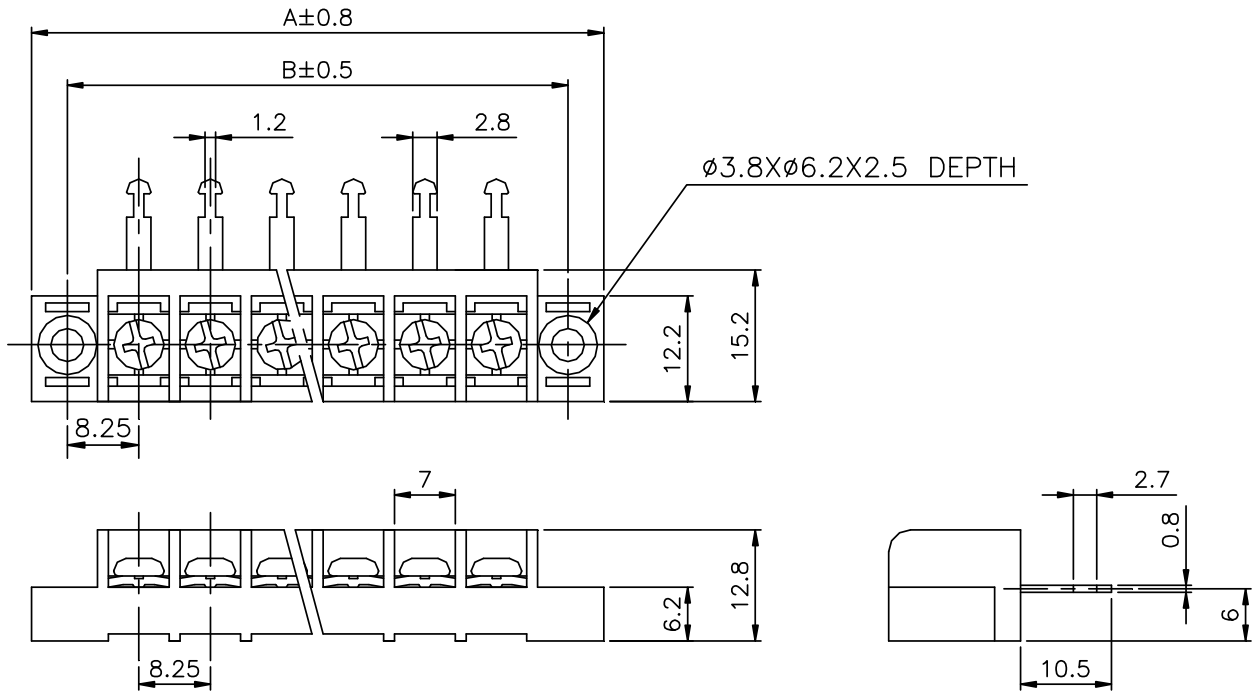
ETB52041**



ETB52101**



ETB52111**



mm to inch

mm	0.8	1.2	2.5	2.7	2.8	3.8	4.4	5	6	6.2	7	8.25	10.5	12.2	12.8
inch	0.031	0.047	0.098	0.106	0.110	0.150	0.173	0.197	0.236	0.244	0.276	0.325	0.413	0.480	0.504
mm	13	15.2													
inch	0.512	0.598													

DIMENSIONS OF MOUNT TYPE

**NUMBER OF POLE 02~30.

POLE DIM.	2	3	4	5	6	7	8	9	10	11	12
A ± 0.8	33.0 (1.299)	41.3 (1.626)	49.5 (1.949)	57.8 (2.276)	66.0 (2.598)	74.3 (2.925)	82.5 (3.248)	90.8 (3.575)	99.0 (3.898)	107.3 (4.224)	115.5 (4.547)
B ± 0.5	24.75 (0.974)	33.00 (1.299)	41.25 (1.624)	49.50 (1.949)	57.75 (2.274)	66.00 (2.598)	74.25 (2.923)	82.50 (3.248)	90.75 (3.573)	99.00 (3.898)	107.25 (4.222)
POLE DIM.	13	14	15	16	17	18	19	20	21	22	23
A ± 0.8	123.8 (4.874)	132.0 (5.197)	140.3 (5.524)	148.5 (5.846)	156.8 (6.173)	165.0 (6.496)	173.3 (6.823)	181.5 (7.146)	189.8 (7.472)	198.0 (7.795)	206.3 (8.122)
B ± 0.5	115.50 (4.547)	123.75 (4.872)	132.00 (5.197)	140.25 (5.522)	148.50 (5.846)	156.75 (6.171)	165.00 (6.496)	173.25 (6.821)	181.50 (7.146)	189.75 (7.470)	198.00 (7.795)
POLE DIM.	24	25	26	27	28	29	30				
A ± 0.8	214.5 (8.445)	222.8 (8.772)	231.0 (9.094)	239.3 (9.421)	247.5 (9.744)	255.8 (10.071)	264.0 (10.394)				
B ± 0.5	206.25 (8.120)	214.50 (8.445)	222.75 (8.770)	231.00 (9.094)	239.25 (9.419)	247.50 (9.744)	255.75 (10.069)				



Terminal Block

DIMENSIONS OF BARRIER TYPE

**NUMBER OF POLE 02~32.

POLE DIM.	2	3	4	5	6	7	8	9	10	11	12
A±0.8	17.8 (0.701)	26.0 (1.024)	34.3 (1.350)	42.5 (1.673)	50.8 (2.000)	59.0 (2.323)	67.3 (2.650)	75.5 (2.972)	83.8 (3.299)	92.0 (3.622)	100.3 (3.949)
B±0.5	8.25 (0.325)	16.50 (0.650)	24.75 (0.974)	33.00 (1.299)	41.25 (1.624)	49.50 (1.949)	57.75 (2.274)	66.00 (2.598)	74.25 (2.923)	82.50 (3.248)	90.75 (3.573)
POLE DIM.	13	14	15	16	17	18	19	20	21	22	23
A±0.8	108.5 (4.272)	116.8 (4.598)	125.0 (4.921)	133.3 (5.248)	141.5 (5.571)	149.8 (5.898)	158.0 (6.220)	166.3 (6.547)	174.5 (6.870)	182.8 (7.197)	191.0 (7.520)
B±0.5	99.00 (3.898)	107.25 (4.222)	115.50 (4.547)	123.75 (4.872)	132.00 (5.197)	140.25 (5.522)	148.50 (5.846)	156.75 (6.171)	165.00 (6.496)	173.25 (6.821)	181.50 (7.146)
POLE DIM.	24	25	26	27	28	29	30	31	32		
A±0.8	199.3 (7.846)	207.5 (8.169)	215.8 (8.496)	224.0 (8.819)	232.3 (9.146)	240.5 (9.469)	248.8 (9.795)	257.0 (10.118)	265.3 (10.445)		
B±0.5	189.75 (7.470)	198.00 (7.795)	206.25 (8.120)	214.50 (8.445)	222.75 (8.770)	231.00 (9.094)	239.25 (9.419)	247.50 (9.744)	255.75 (10.069)		