



Terminal Block

WIRE TO P.C.B. TYPE TERMINAL BLOCK

TÜV R50008092
E133988(R)

ETB50 SERIES

MOUNT TYPE / BARRIER TYPE

PITCH=9.5mm

FEATURES

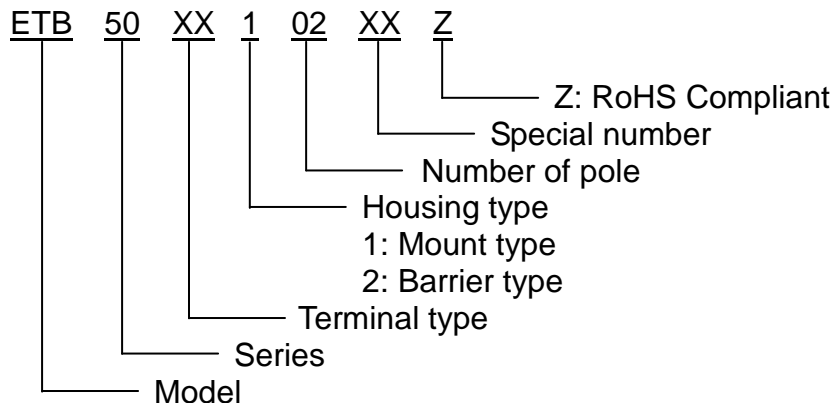
- Can be supplied in any number of positions
- Special wire protector design to ensure reliable wire clamping
- UL 94V-0 grade fire retardant engineering plastic used for the housing
- Be capable of clamping a wide range of wire diameters
- Wide choice of pitch & terminal

SPECIFICATIONS

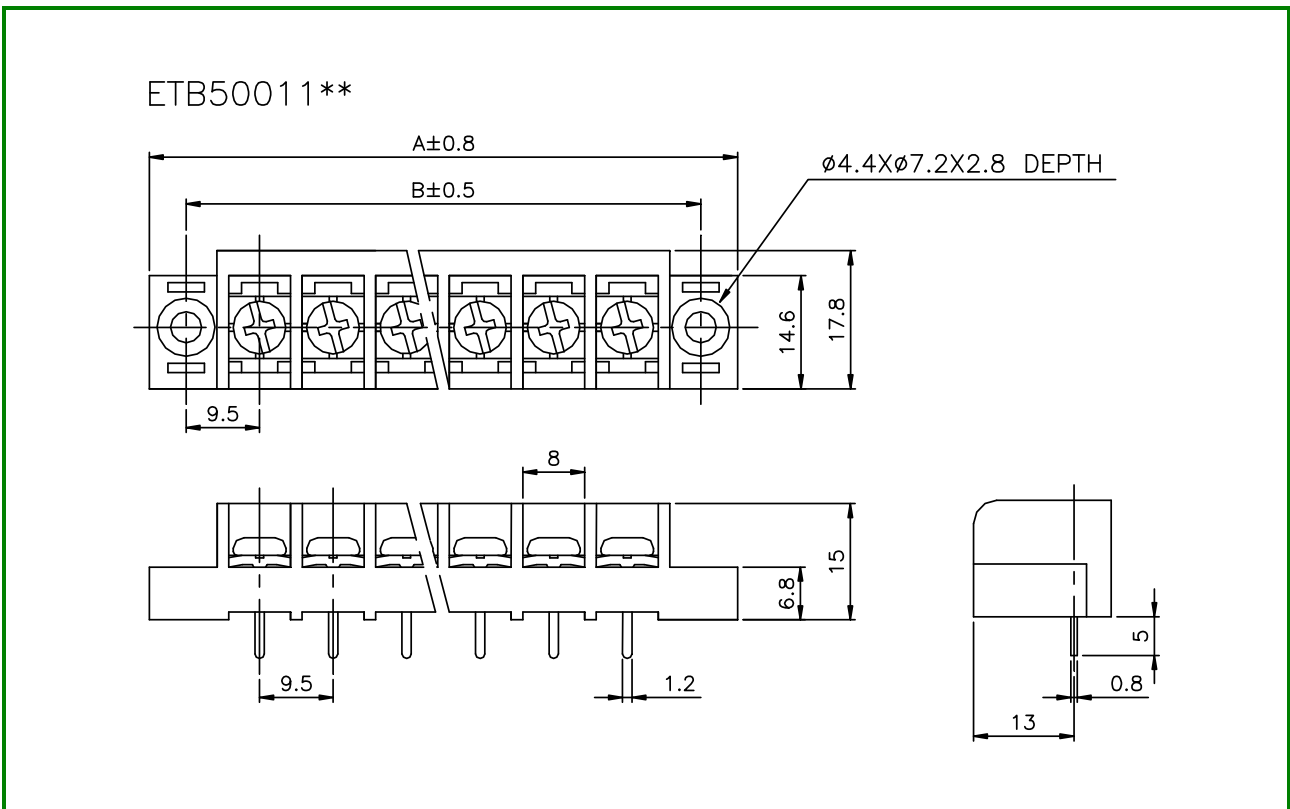
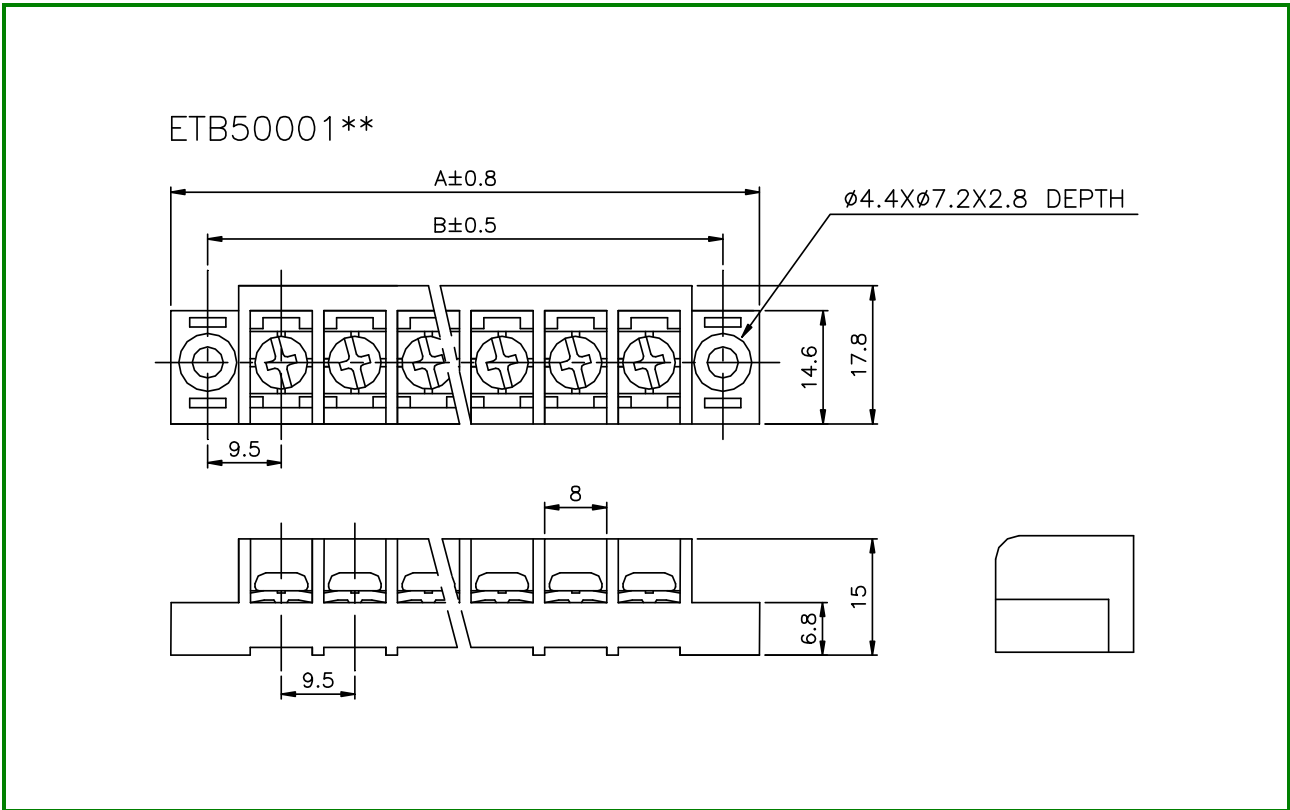
- Pitch 9.5mm (0.374 inch)
- Wire range 14~22 AWG
- Rating 15 Amp, 300 VAC
- Housing material Thermoplastic (UL 94V-0) Black
- Terminals Tin plated over Brass
- Screws Nickel plated over Steel
- Dielectric strength 2000 VAC (Min.)
- Insulation resistance 1000 MΩ, 500 VDC



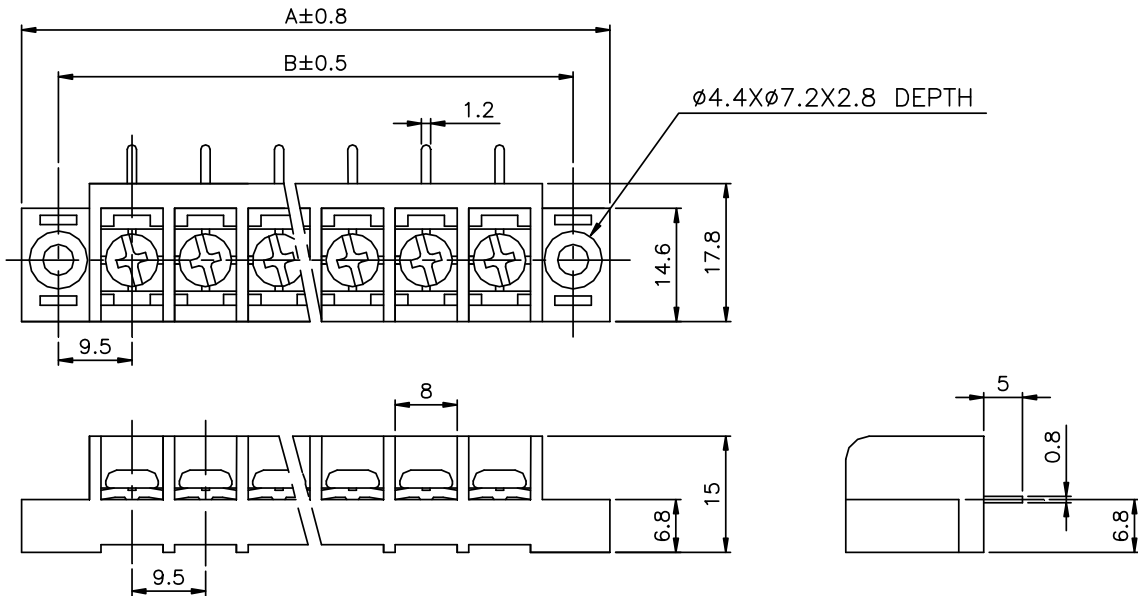
PART NUMBERING SYSTEM



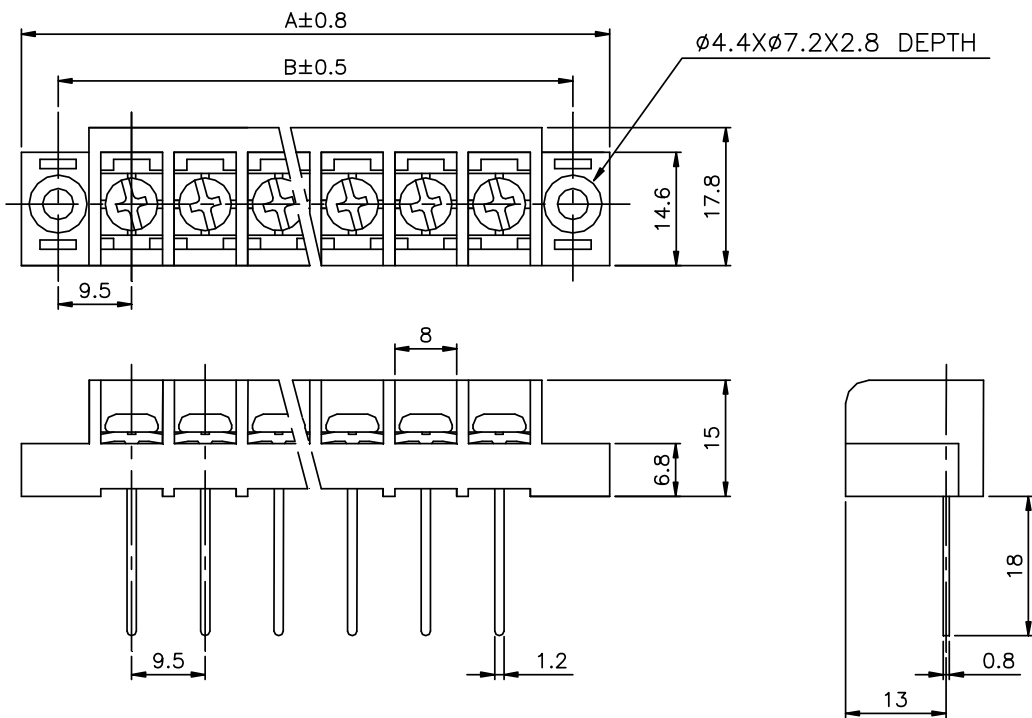
■ DRAWING (MOUNT TYPE)



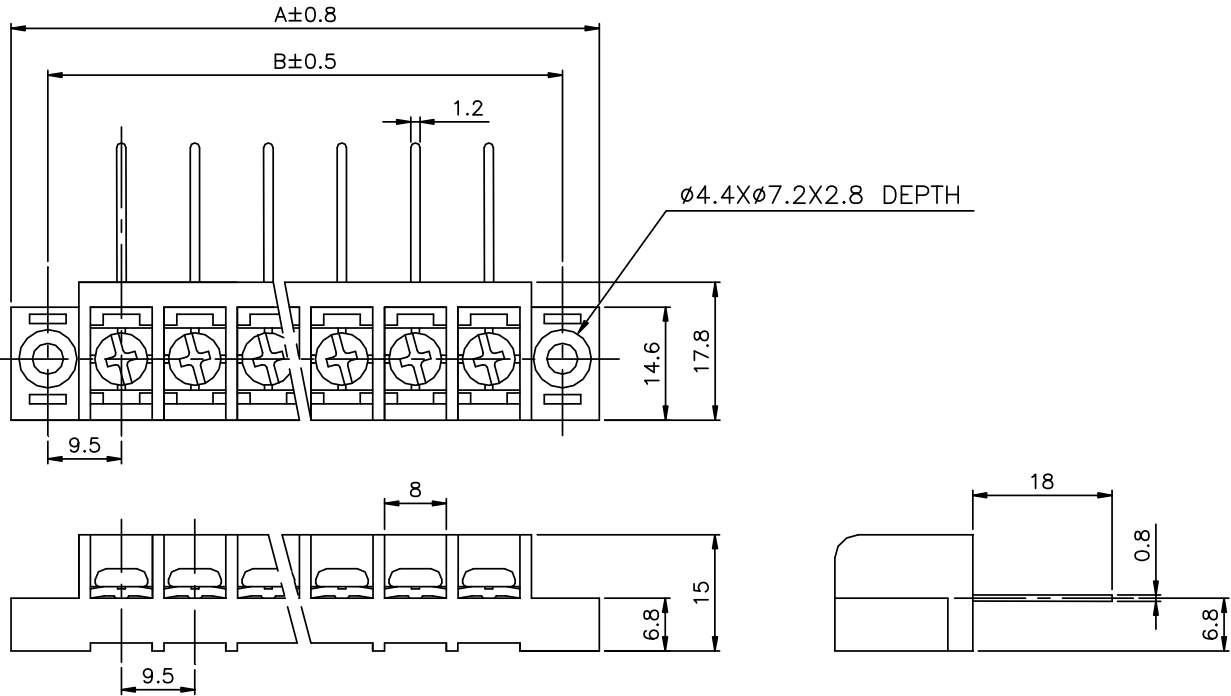
ETB50021**



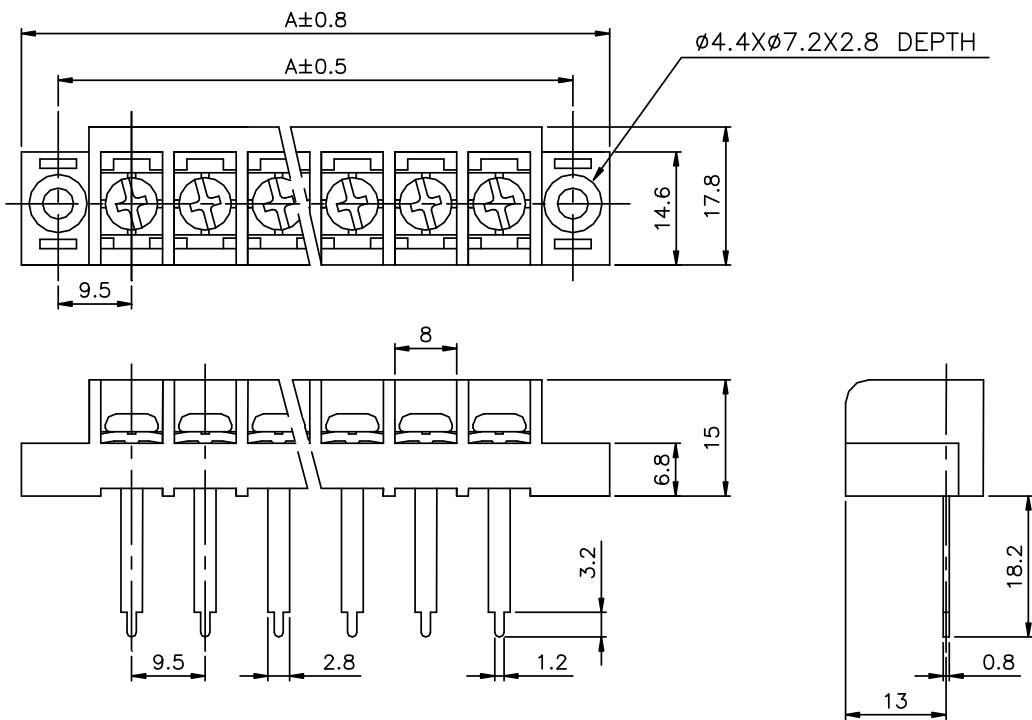
ETB50031**



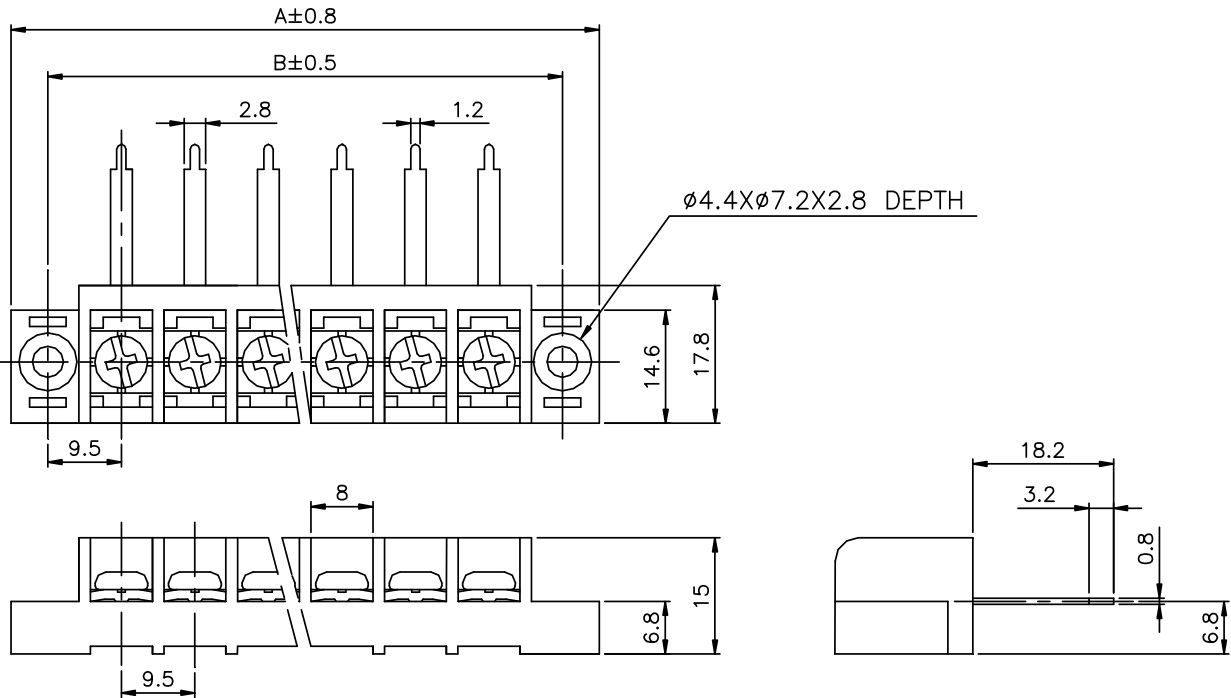
ETB50041**



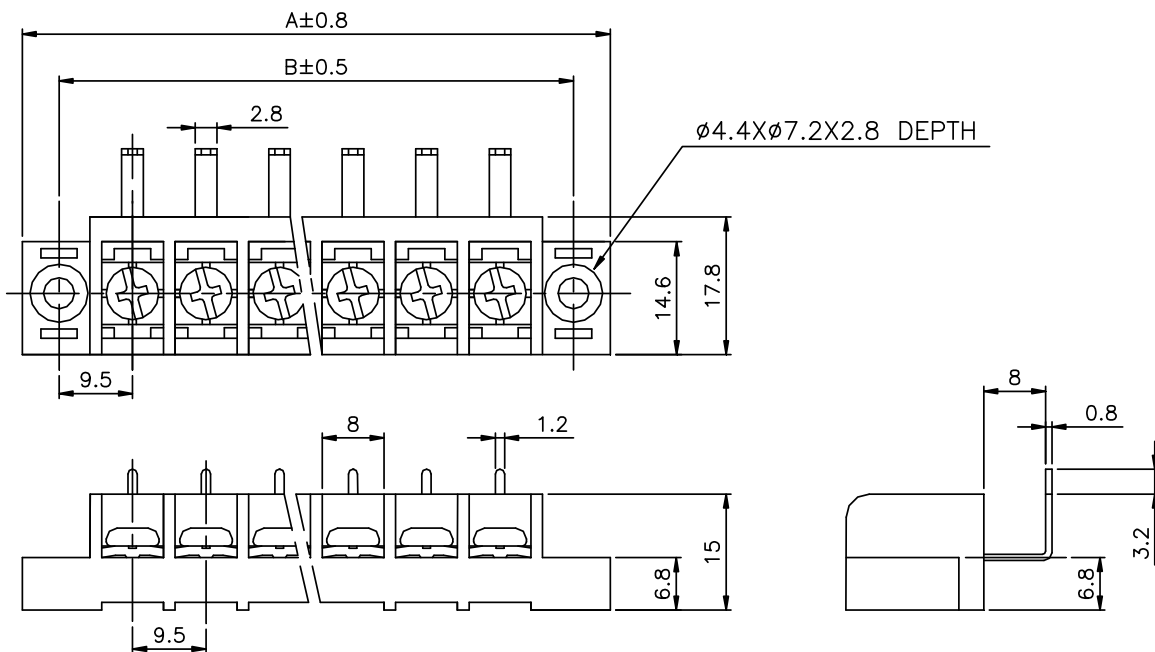
ETB50051**



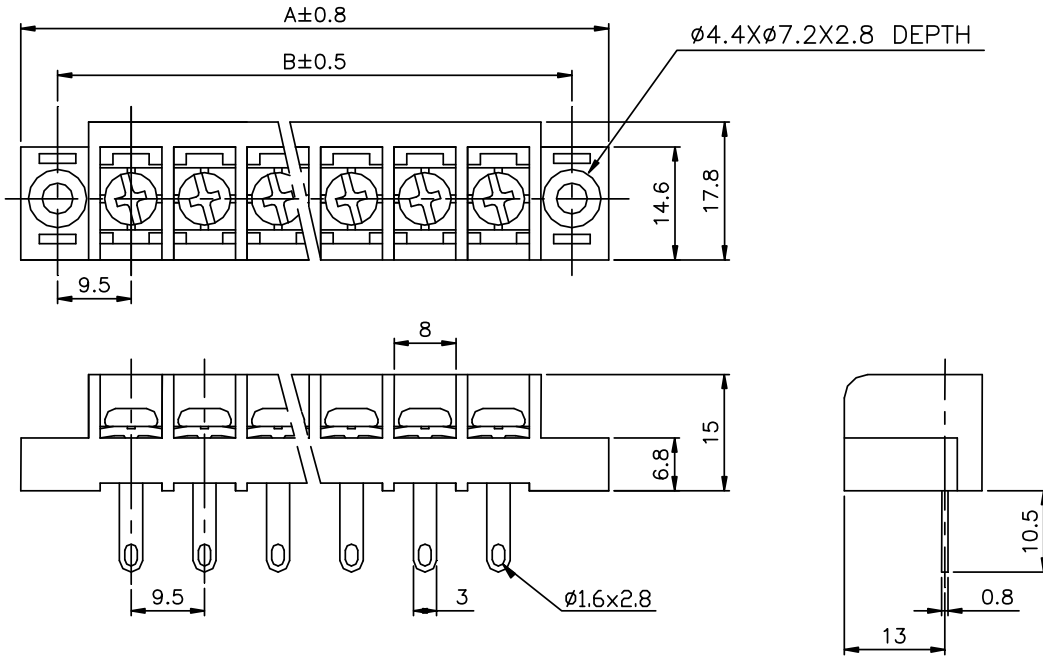
ETB50061**



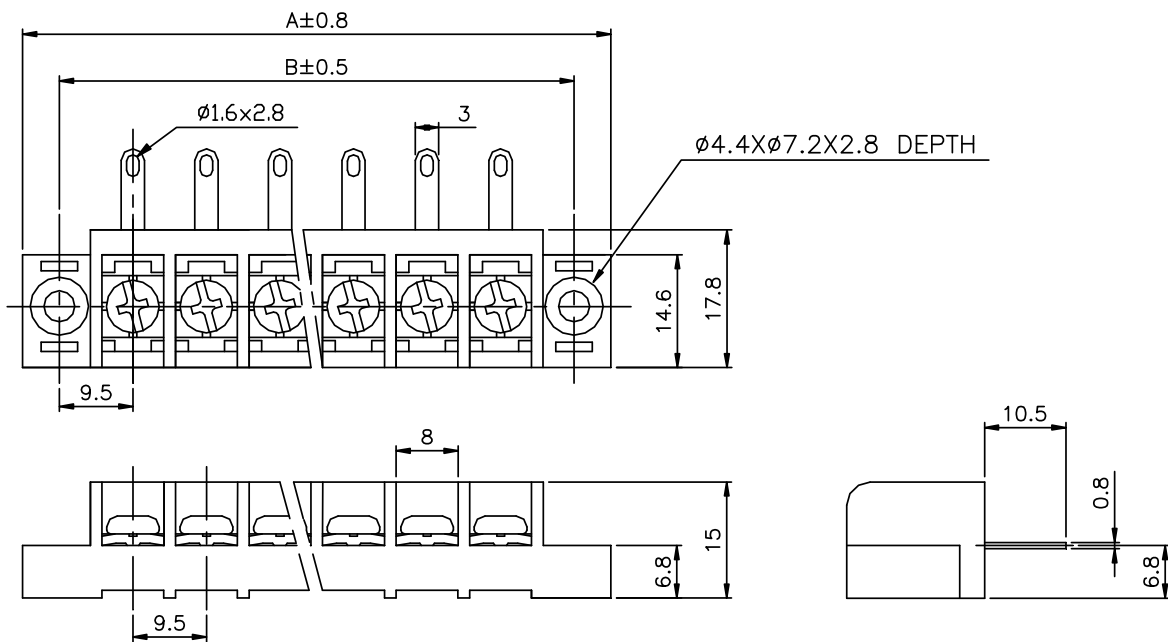
ETB50071**



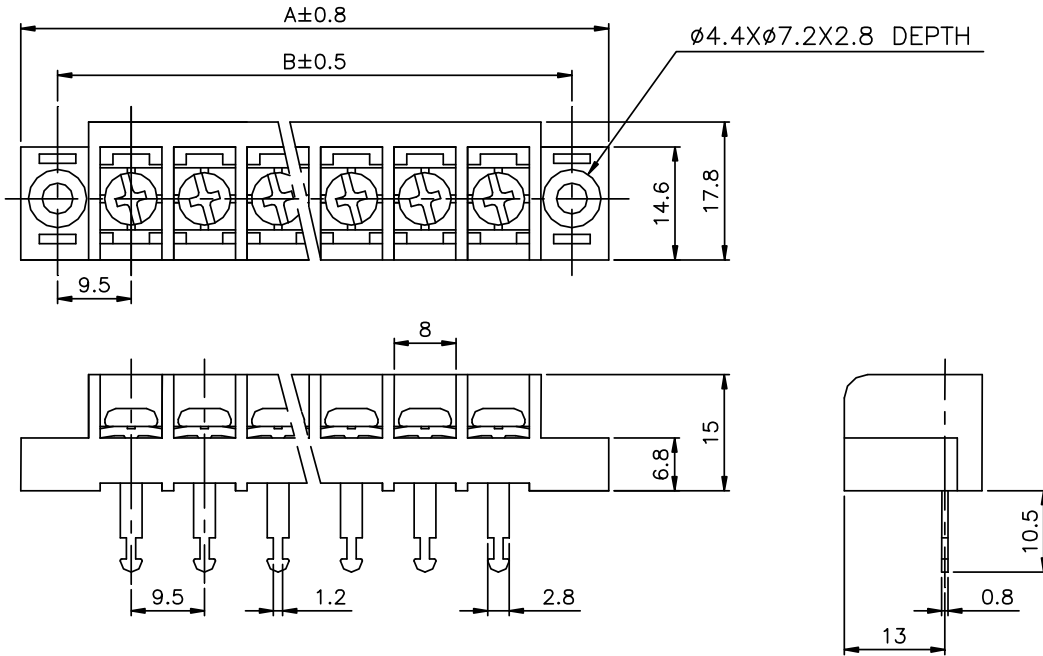
ETB50081**



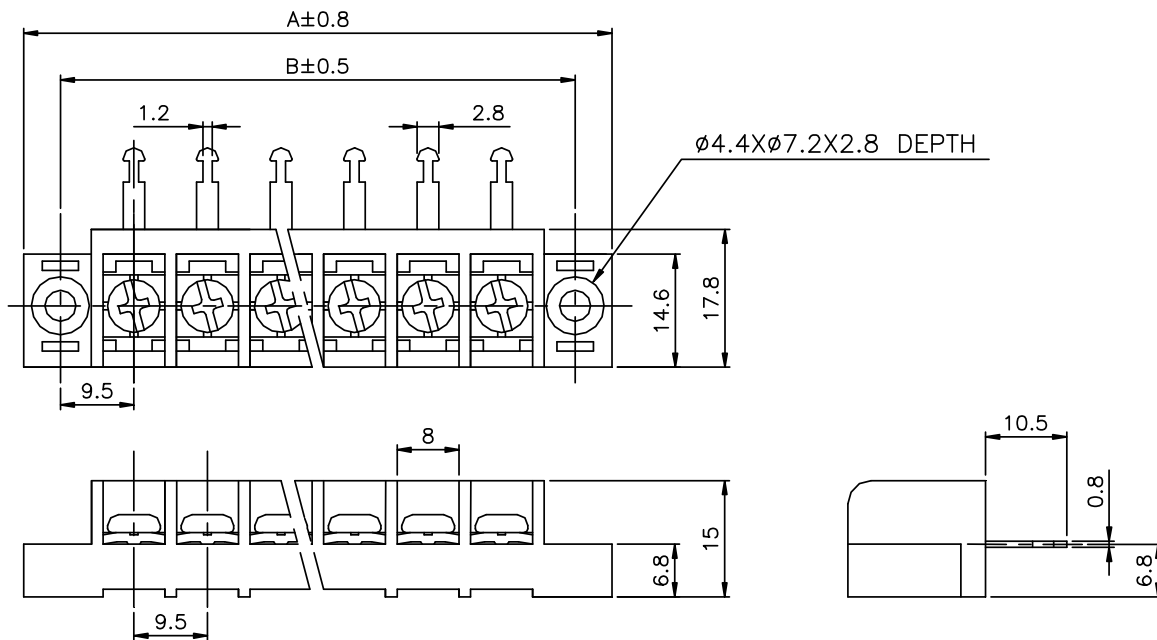
ETB50091**



ETB50101**



ETB50111**





Terminal Block

mm to inch

mm	0.8	1.2	1.6	2.8	3	3.2	4.4	5	6.8	7.2	8	9.5	10.5	13	14.6
inch	0.031	0.047	0.063	0.110	0.118	0.126	0.173	0.197	0.268	0.283	0.315	0.374	0.413	0.512	0.575
mm	15	17.8	18	18.2											
inch	0.591	0.701	0.709	0.717											

DIMENSIONS OF MOUNT TYPE

**NUMBER OF POLE 02~30.

POLE DIM.	2	3	4	5	6	7	8	9	10	11	12
A±0.8	38.0 (1.496)	47.5 (1.870)	57.0 (2.244)	66.5 (2.618)	76.0 (2.992)	85.5 (3.366)	95.0 (3.740)	104.5 (4.114)	114.0 (4.488)	123.5 (4.862)	133.0 (5.236)
B±0.5	28.5 (1.122)	38.0 (1.496)	47.5 (1.870)	57.0 (2.244)	66.5 (2.618)	76.0 (2.992)	85.5 (3.366)	95.0 (3.740)	104.5 (4.114)	114.0 (4.488)	123.5 (4.862)
POLE DIM.	13	14	15	16	17	18	19	20	21	22	23
A±0.8	142.5 (5.610)	152.0 (5.984)	161.5 (6.358)	171.0 (6.732)	180.5 (7.106)	190.0 (7.480)	199.5 (7.854)	209.0 (8.228)	218.5 (8.602)	228.0 (8.976)	237.5 (9.350)
B±0.5	133.0 (5.236)	142.5 (5.610)	152.0 (5.984)	161.5 (6.358)	171.0 (6.732)	180.5 (7.106)	190.0 (7.480)	199.5 (7.854)	209.0 (8.228)	218.5 (8.602)	228.0 (8.976)
POLE DIM.	24	25	26	27	28	29	30				
A±0.8	247.0 (9.724)	256.5 (10.098)	266.0 (10.472)	275.5 (10.846)	285.0 (11.220)	294.5 (11.594)	304.0 (11.968)				
B±0.5	237.5 (9.350)	247.0 (9.724)	256.5 (10.098)	266.0 (10.472)	275.5 (10.846)	285.0 (11.220)	294.5 (11.594)				

DIMENSIONS OF BARRIER TYPE

**NUMBER OF POLE 02~32.

POLE DIM.	2	3	4	5	6	7	8	9	10	11	12
A±0.8	20.5 (0.807)	30.0 (1.181)	39.5 (1.555)	49.0 (1.929)	58.5 (2.303)	68.0 (2.677)	77.5 (3.051)	87.0 (3.425)	96.5 (3.799)	106.0 (4.173)	115.5 (4.547)
B±0.5	9.5 (0.374)	19.0 (0.748)	28.5 (1.122)	38.0 (1.496)	47.5 (1.870)	57.0 (2.244)	66.5 (2.618)	76.0 (2.992)	85.5 (3.366)	95.0 (3.740)	104.5 (4.114)
POLE DIM.	13	14	15	16	17	18	19	20	21	22	23
A±0.8	125.0 (4.921)	134.5 (5.295)	144.0 (5.669)	153.5 (6.043)	163.0 (6.417)	172.5 (6.791)	182.0 (7.165)	191.5 (7.539)	201.0 (7.913)	210.5 (8.287)	220.0 (8.661)
B±0.5	114.0 (4.488)	123.5 (4.862)	133.0 (5.236)	142.5 (5.610)	152.0 (5.984)	161.5 (6.358)	171.0 (6.732)	180.5 (7.106)	190.0 (7.480)	199.5 (7.854)	209.0 (8.228)
POLE DIM.	24	25	26	27	28	29	30	31	32		
A±0.8	229.5 (9.035)	239.0 (9.409)	248.5 (9.783)	258.0 (10.157)	267.5 (10.531)	277.0 (10.905)	286.5 (11.279)	296.0 (11.653)	305.5 (12.027)		
B±0.5	218.5 (8.602)	228.0 (8.976)	237.5 (9.350)	247.0 (9.724)	256.5 (10.098)	266.0 (10.472)	275.5 (10.846)	285.0 (11.220)	294.5 (11.594)		