

## PUSH SWITCH EPU SERIES

### FEATURES

- Light operating force.
- Long term low contact resistance.
- Momentary or latching operation.
- Short stroke 1.5mm to latch.
- Compact spacing on PCB of 8.0mm.



### SPECIFICATIONS

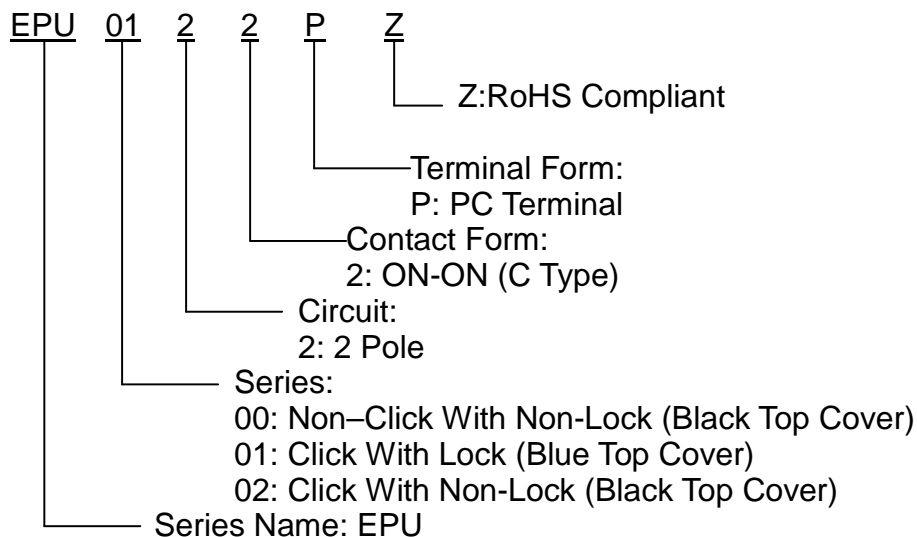
#### 1.ELECTRICAL

● Contact rating	0.1A, 30VDC
● Contact resistance	100mΩ Max.
● Insulation resistance	100MΩ Min. at 250VDC
● Dielectric strength	250VAC Min. for 60 sec.

#### 2.MECHANICAL AND ENVIRONMENTAL

● Temperature rating	Operating: -15°C to +55°C Storage: -25°C to +65°C
● Operation force	160±80gf
● Stroke	Lock Stroke: 1.5±0.2mm Full Stroke: 2.5±0.2mm
● Durability characteristic	Mechanical life : 100,000 cycles Electrical life : 10,000 cycles
● Contact form	DPDT

### PART NUMBERING SYSTEM



■ DIMENSIONS UNIT:mm

