

UNIVERSAL SERIAL BUS CONNECTORS

USB CONNECTORS

ESB0 SERIES

FEATURES

- Both USB A Type and B Type are USB 2.0 approval.
- Raised design provides easy insertion and withdrawal, and guarantee even high reliability.
- Design of three certain restraints provides robust structure.
- Gold plated contact to ensure low contact resistance.
- All materials are UL 94V-0 grade fire retardant.
- Up to 5 meters per cable segment.
- To make sure your connections are perfect every time.

APPLICATIONS

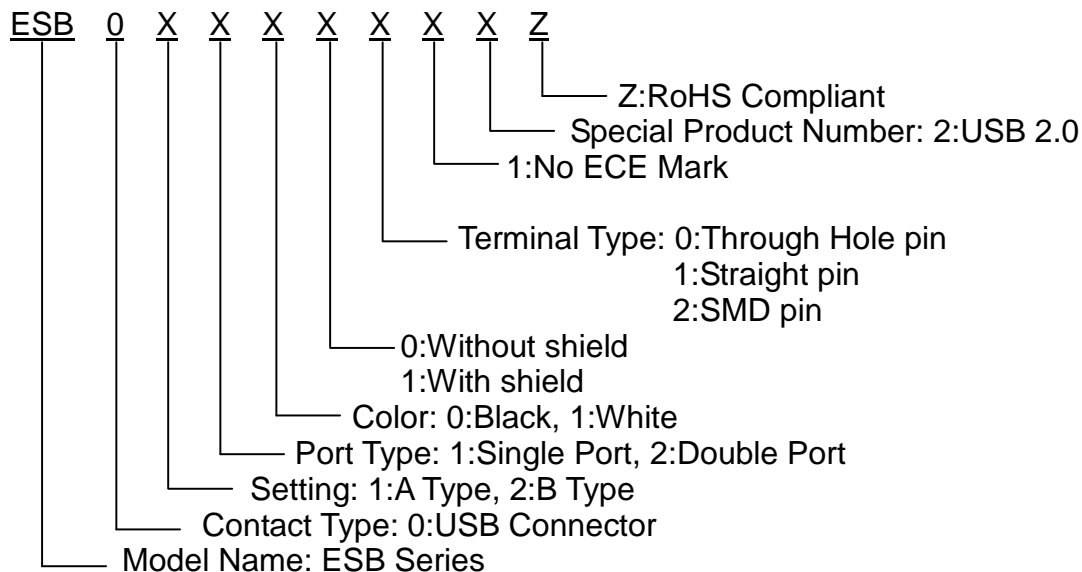
- PCs peripheral equipment (modem, scanner, HDTV, printer, phone/answering, keyboard, mouse, game controller, digital audio)

SPECIFICATIONS

ELECTRICAL	
Voltage rating	30 VAC (rms)
Current rating	1 Amp
Contact resistance	30 mΩ Max.
Insulation resistance	1000 MΩ Min.
Dielectric strength	750 VAC Min.

MECHANICAL	
Durability	1500 cycles
Mating force	35N Max.
Unmating force	10N Min.
Temperature	storage -40°C to + 60°C
	operating 0°C to + 40°C

PART NUMBERING SYSTEM



■ DIMENSIONS UNIT:mm

ESB 021x01



ESB 021x12x2



ESB 011



ESB 012



ESB 021



ESB 011x1



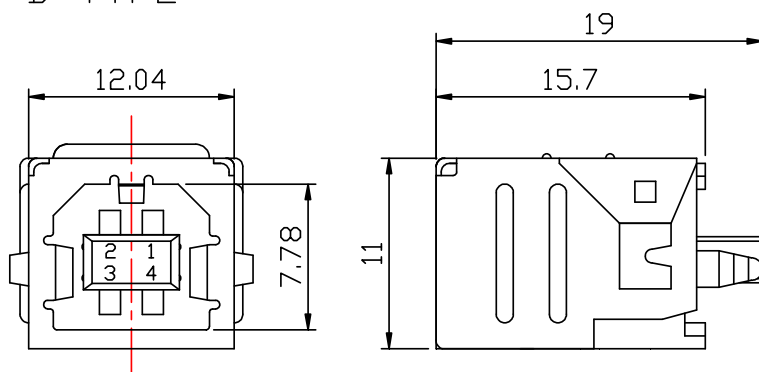
EB 012x1



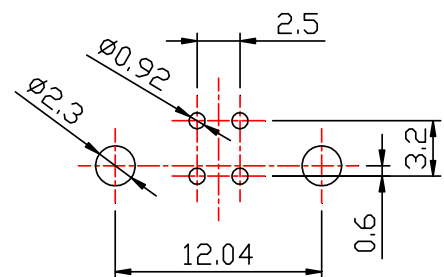
ESB 021x1



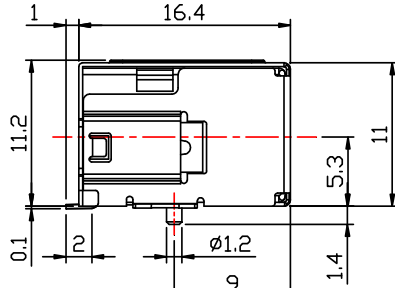
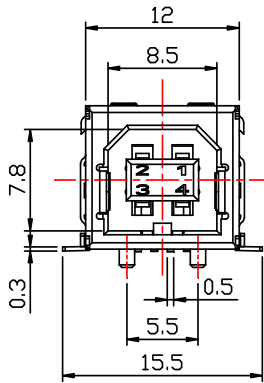
ESB021x01
Straight Pin Type
B TYPE



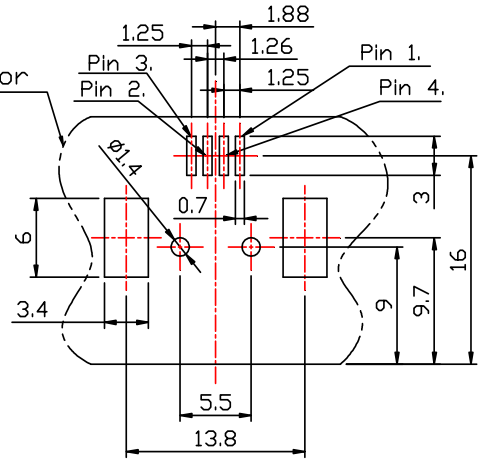
P.C.B. Layout



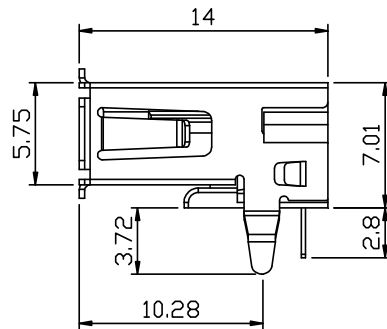
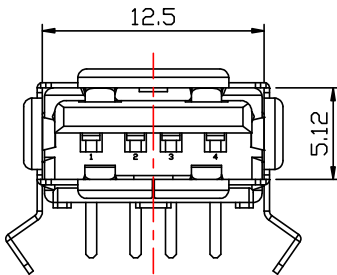
ESB021x12x2
SMT Type
B TYPE



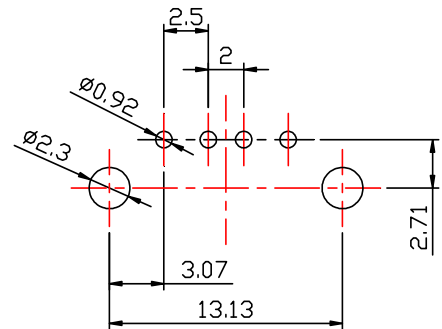
P.C.B. Layout



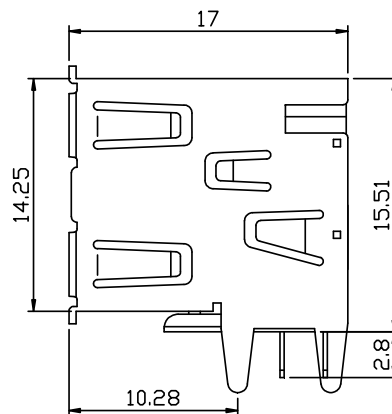
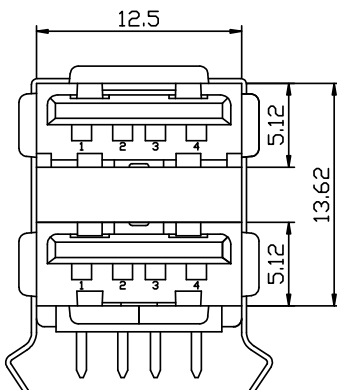
ESB011
Right Angle Type
A TYPE Single port



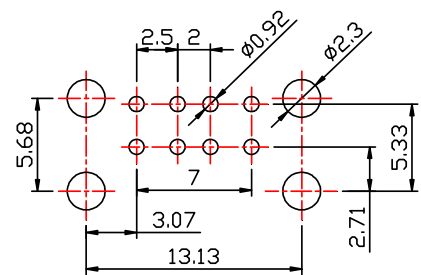
P.C.B. Layout



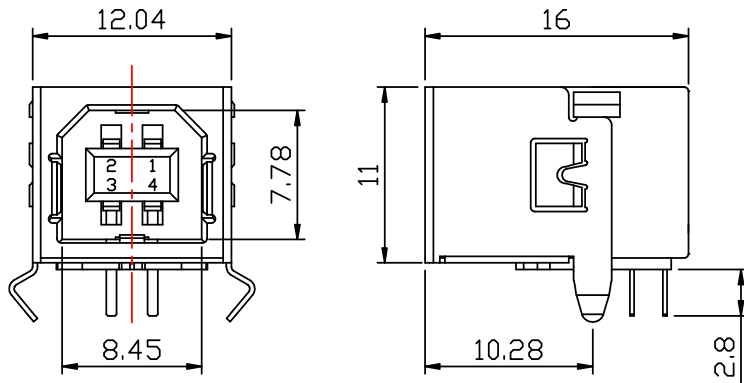
ESB012
Right Angle Type
A TYPE Double port



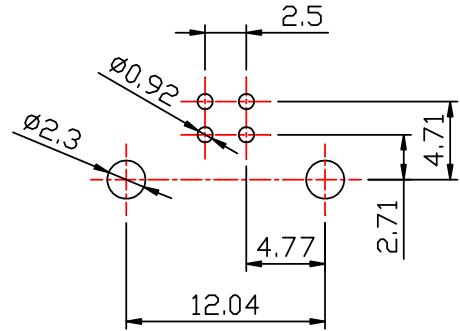
P.C.B. Layout



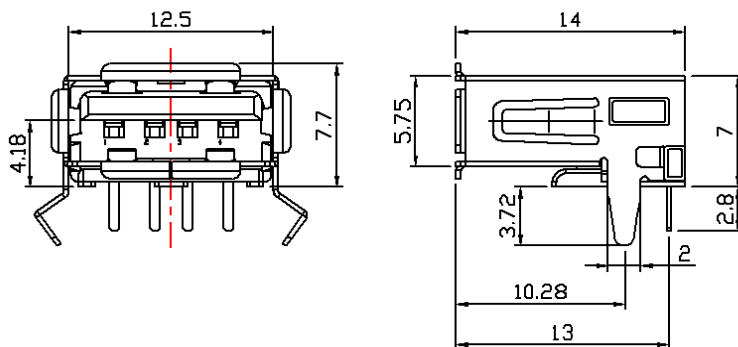
ESB021
Right Angle Type
B TYPE



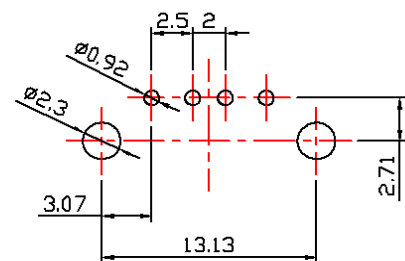
P.C.B. Layout



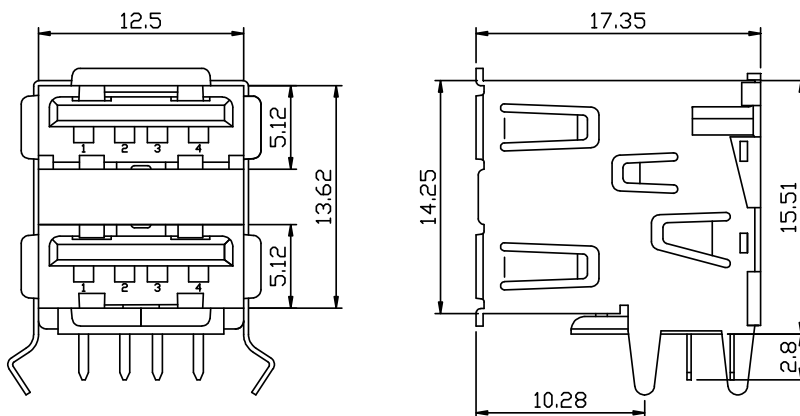
ESB011x1
Right Angle Type / With Shield
A TYPE Single port



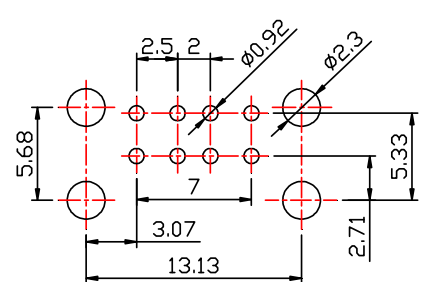
P.C.B. Layout



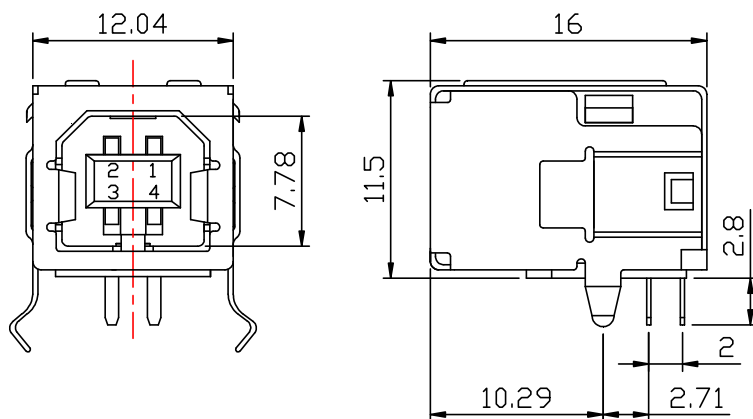
ESB012x1
Right Angle Type / With Shield
A TYPE Double port



P.C.B. Layout



ESB021x1
Right Angle Type / With Shield
B TYPE



P.C.B. Layout

