



GENERAL CONTROL RELAY ETR GSZ SERIES

■ FEATURES

- High switching current 16A in small size.
- 6mm insulation distance with surge strength 7,000V.
- Dielectric Strength up to 4,000VAC.
- TV-8 120VAC certified by UL.
- Comply with RoHS and REACH regulations.
- Safety standard & File number: UL E141060

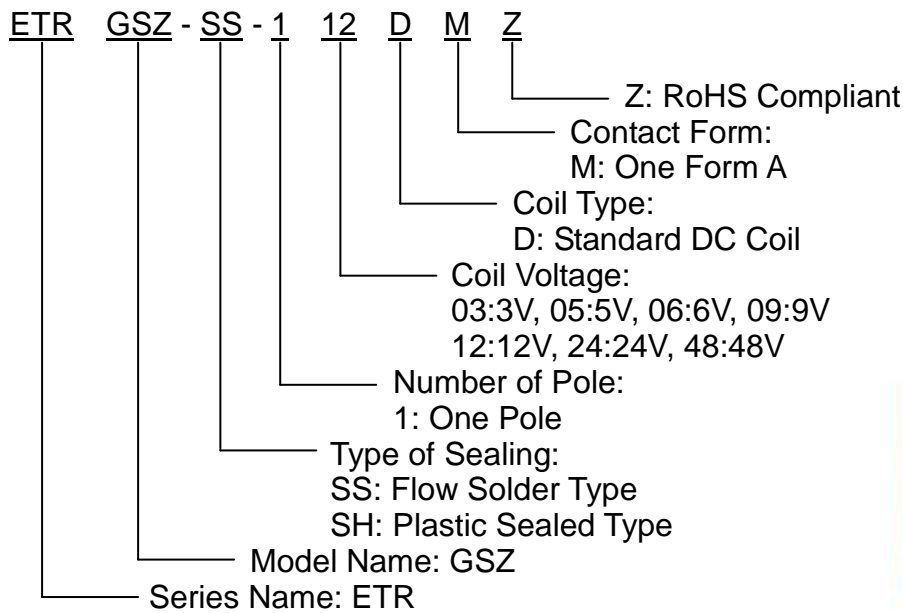
■ SPECIFICATIONS

Contact Resistance	Max. 100mΩ at initial value. @1A,6VDC
Contact Capacity	16 Amps at 120VAC Cosφ=1 16 Amps at 30VDC L/R=0 TV-8, 120VAC
Operate Time	20m Sec. Max.
Release Time	10m Sec. Max.
Dielectric Strength	Between coil & Contact: 4000VAC at 50/60Hz for one minute Between Contacts: 1000VAC at 50/60Hz for one minute
Insulation Resistance	100MΩ Min. at 500VDC

■ COIL SPECIFICATION AT 20°C

Coil Sensitivity	Nominal Voltage (VDC)	Nominal Current (mA)	Coil Resistance (Ω±10%)	Power Consumption (W)	Pull-In Voltage (VDC)	Drop-Out Voltage (VDC)	Max. Allowable Voltage (VDC)
GSZ	3	176.5	17	Abt. 0.54	80% Max.	5% Min.	120%
	5	106.4	47				
	6	88	68				
	9	58	155				
	12	44.4	270				
	24	21.8	1,100				
	48	11	4,400				

■ PART NUMBER SYSTEM



*Marking without: "ETR" & "Z".

■ DIMENSIONS (≤5mm±0.2mm, >5mm±0.3mm, the tolerance of PCB thru hole: +0.1mm)

