



TELECOMMUNICATION RELAY ETR UA SERIES

■ FEATURES

- Single Pole Relay designed with medium current load 3A.
- 2.54mm terminal pitch employment equivalent to I.C. terminal pitch.
- Single or double common terminal available.
- Comply with RoHS and REACH regulations.
- Safety standard & File number: UL&C-UL E141060 / TUV R50192493

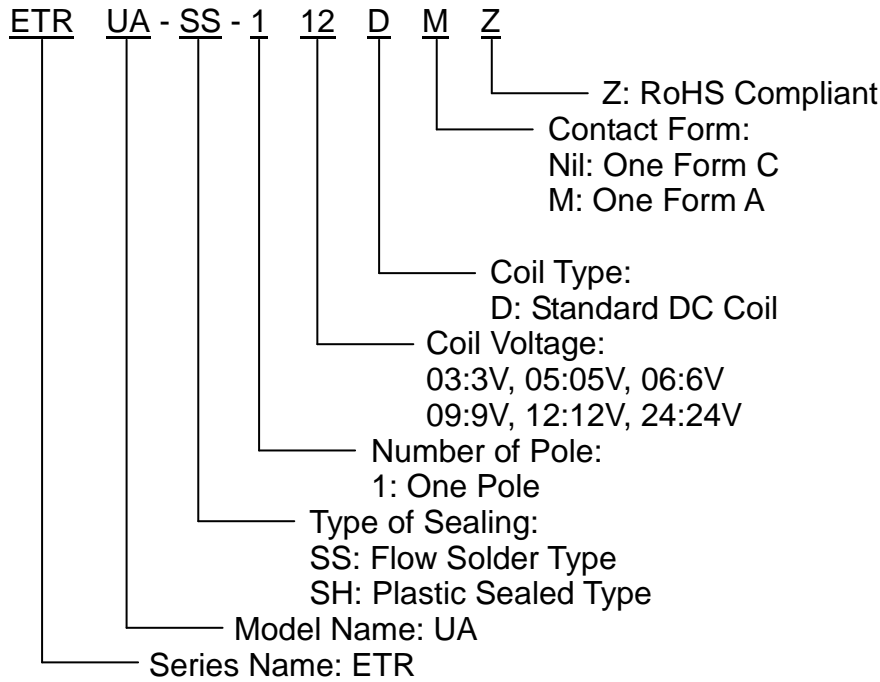
■ SPECIFICATIONS

Contact Resistance	Max. 100mΩ at initial value. @100mA,6VDC
Contact Capacity	3 Amps at 120VAC Cosφ=1 3 Amps at 24VDC L/R=0
Operate Time	8m Sec. Max.
Release Time	4m Sec. Max.
Dielectric Strength	Between coil & Contact: 500VAC at 50/60Hz for one minute Between Contacts: 500VAC at 50/60Hz for one minute
Insulation Resistance	100MΩ Min. at 500VDC

■ COIL SPECIFICATION AT 20°C

Coil Sensitivity	Nominal Voltage (VDC)	Nominal Current (mA)	Coil Resistance (Ω±10%)	Power Consumption (W)	Pull-In Voltage (VDC)	Drop-Out Voltage (VDC)	Max. Allowable Voltage (VDC)
UA	3	120	25	Abt. 0.36	75% Max.	5% Min.	130%
	5	72.5	69				
	6	60	100				
	9	40	225				
	12	30	400				
	24	15	1,600				

■ PART NUMBER SYSTEM



*Marking without: "ETR" & "Z".

■ DIMENSIONS ($\leq 5\text{mm} \pm 0.2\text{mm}$, $> 5\text{mm} \pm 0.3\text{mm}$, the tolerance of PCB thru hole: $+0.1\text{mm}$)

