



ECS - INDUSTRIAL CONTROL SWITCH EMERGENCY STOP (SMALL COMPACT SIZE)

1. FEATURES

- Pushlock turn reset function.
- Detachable contact block for easy installation and removal. It can meet variety of needs and improve work efficiency.
- IP65 waterproof type. It is designed for liquid and oil prevention and enables to be used in different environment.
- Short contact unit design to save more space.
- The safety design of slide locking holder is not only for easy installation and removal, but also for prevention of inappropriate installation of contact blocks.
- In accordance with the standards of UL, cUL, CE, CCC, and TUV.


2. SPECIFICATIONS

2-1. ELECTRICAL

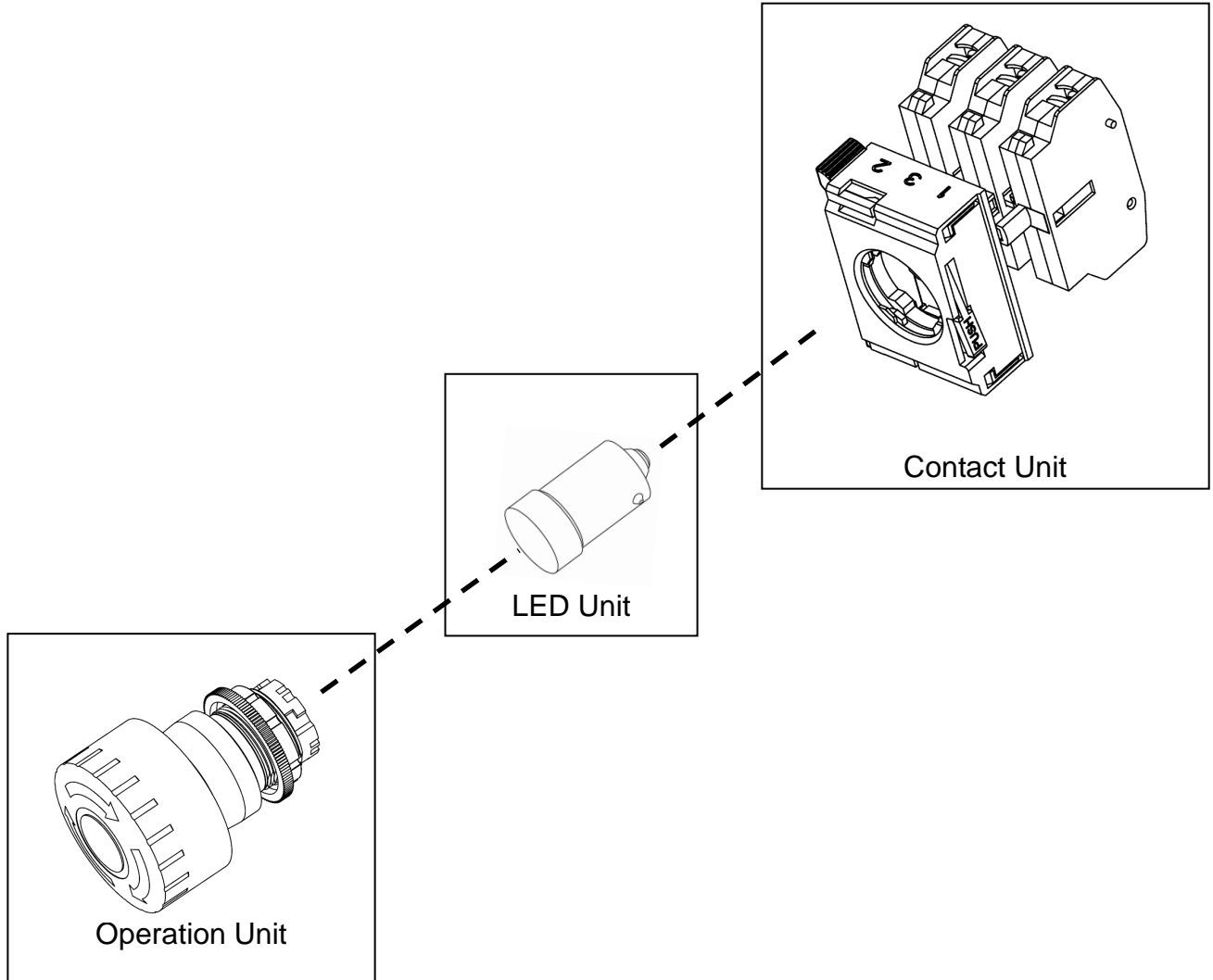
2-1-1. Rated thermal current	10A
2-1-2. Rated insulation voltage	650V
2-1-3. Utilization category	AC-15(A600) or Ue 240V / Ie 3A Ue 380V / Ie 1.9A DC-13(P600) or Ue 250V / Ie 0.55A
2-1-4. Minimum switching capacity [ref.]	3V DC/AC, 5mA
2-1-5. Dielectric strength	2500V AC, 1 min.
2-1-6. Insulation resistance	100M Ω min. at 500V DC
2-1-7. Contact resistance	50m Ω max. (initial)

2-2. MECHANICAL AND ENVIRONMENTAL

2-2-1. Operating temperature	-25 $^{\circ}$ C ~ +70 $^{\circ}$ C (without icing or condensation)
2-2-2. Storage temperature	-40 $^{\circ}$ C ~ +85 $^{\circ}$ C
2-2-3. Humidity	45% ~ 85% RH
2-2-4. Degree of protection	IP65 (from the front of the panel)
2-2-5. Degree of contamination	3
2-2-6. Vibration resistance	10-55Hz single amplitude 0.5mm
2-2-7. Shock resistance	100 m/s ² (10G)(malfunction) 1000 m/s ² (100G)(destruction)
2-2-8. Mechanical Life	300,000 operations frequency 1800 operations/hr
2-2-9. Electrical Life	100,000 operations frequency 1800 operations/hr
2-2-10. Operation Force(from 1a1b)[ref.]	25N
2-2-11. Operation travel	over 4 mm
2-2-12. Connection type	M3.5 screw connection
2-2-13. Direct opening action	Direct opening mechanism of NC contact to open the circuit⊕

 EXCEL CELL ELECTRONIC CO., LTD.	NO.	A31250		
	SPECIFICATION	Edition	5	Page

3. CONSTRUCTION



- Operation unit and contact unit (contact blocks) can be sold separately. Please see [4.Part numbering system] for operation unit part number. For other accessories (LED lamp, contact block, etc.), please refer to accessory part in catalog.



4. PART NUMBERING SYSTEM

ECS - XX X E1 R X - XX X Q X - L XX R

Lamp color: R(Red) / Y(Yellow) / B(Blue)
G(Green) / W(White)

Applied voltage: 06: 6V AC/DC
12: 12V AC/DC
24: 24V AC/DC
A1: 110V AC
A2: 220V AC

Lamp type: L: LED

Special number:
Blank or 0~9 or A~Z

Contact block special number:
Q: Quick release holder, Small compact size

Function
0: N/A
2: Lamp modular

Contact configuration: 10: 1a 01: 1b (see 9-2)

Operator special number:

- Q : Quick release holder (Illuminated type)
- 1Q : Quick release holder(Non-illuminated type)
- M1Q : Quick release holder(Mushroom type)
- M2Q : Quick release holder (Mushroom type (Big Mushroom type))
- NQ : Quick release holder (key recess type (Ø 22 mm only))

Cover color:
R(Red) /G(Green)

Operator Type:
E1: Emergency Stop Switch

Appearance:
R: Round
Q: Square (only for Ø22 & Ø 25 mm)

Mounting hole dia. :
22: Ø 22 mm
25: Ø 25 mm
30: Ø 30 mm

Series: ECS: Industrial Control Switch



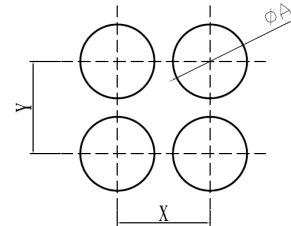
5. INSTALLATION

5-1. Panel thickness

- The panel thickness must be 1 to 6 mm.
- Take into consideration about the thickness of accessories (such as name plate, switch guard, etc.) while using.

5-2. Panel cutout

- Cutout diameter and distance



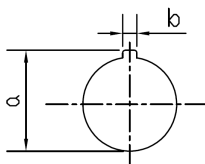
Unit: mm

	22R / 25R	22Q / 25Q	30R
A	22.3/25.3 ^{+0.4} / ₋₀	22.3/25.3 ^{+0.4} / ₋₀	30.5 ^{+0.5} / ₋₀

Unit: mm

	22R / 25R	22Q / 25Q	30R	Long Lever Selector Switch Emergency Stop Switch
X	50	50	50	50
Y	55	55	65	55

- Key recess cutout (∅ 22mm only)



Unit: mm


Mounting Hole(∅)	a	b
22	24.1 ^{+0.5} / ₋₀	3.2 ^{+0.2} / ₋₀

- Panel installation

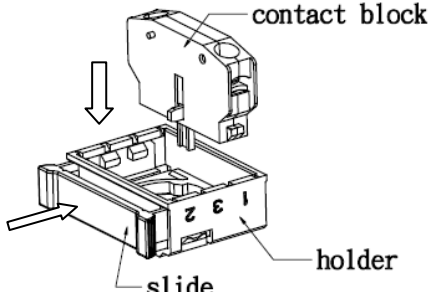
1. Place the operation unit through panel mounting hole.
2. Install the nut by using tightening tool.
3. Make sure the operation unit fix on the panel firmly.

5-3. Operation unit and contact unit installation

1. Fix the operation unit on the panel.
2. Press the lever and connect the operation unit with contact unit.
3. Release the lever.

 EXCEL CELL ELECTRONIC CO., LTD.	NO.	A31250			
	SPECIFICATION		Edition	5	Page

5-4. Contact block installation

	<ol style="list-style-type: none"> 1. Open the slide. 2. Contact block needs to fit with holder position correctly. 3. Close the slide completely. <p>(If you are unable to close the slide completely, please check the correctness of contact block installation.)</p>
---	---

6. PACKAGING

6-1. ECS product is packed without assembly (packed by set), 10 sets per box.

6-2. Label information

- | | |
|-------------------|-------------------------|
| (1) part number | (6) QC inspection stamp |
| (2) Lot number | (7) Company mark |
| (3) Quantity | (8) Company name |
| (4) Tester number | (9) Notice |
| (5) Date code | |

7. DIMENSIONS

7-1. See attached drawings

8. OPTIONS

8-1. Key recess type operation unit is available (ø 22mm only)

8-2. Ø22mm and Ø25mm type have the same structure. Different thickness of O-rings can be ordered separately to fit into Ø22mm and Ø25mm hole in the panel.

8-3. LED Specification


LED Type	BA9S-T8
Durability(reference)	Approx. 50,000 Hrs.
Voltage	Printed on the LED

8-4. For other accessories (name plate, control box, and etc.), please refer to accessory part in the catalog.

9. REMARK

9-1. Safety Certification

Safety Standard	Certification
UL-508	UL / cUL , file NO. E155181
CSA C22.2 NO.14	
EN60947-5-1	R50363071
EN60947-5-5 (Emergency Stop Switch)	R50362996
CCC GB14048.5	CQC2018010305138937

 EXCEL CELL ELECTRONIC CO., LTD.	NO.	A31250		
	SPECIFICATION	Edition	5	Page

9-2. Contact Configuration

Code	Contact block		without function block	with function block
	NO	NC		
10	1	0	●	●
01	0	1	●	●
11	1	1	●	●
20	2	0	●	●
02	0	2	●	●
12	1	2	●	/
21	2	1	●	
30	3	0	●	
03	0	3	●	

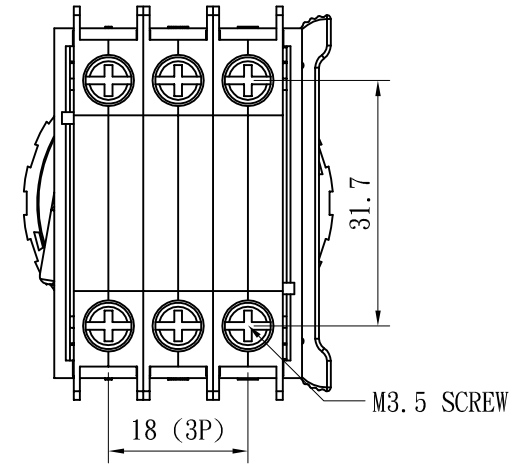
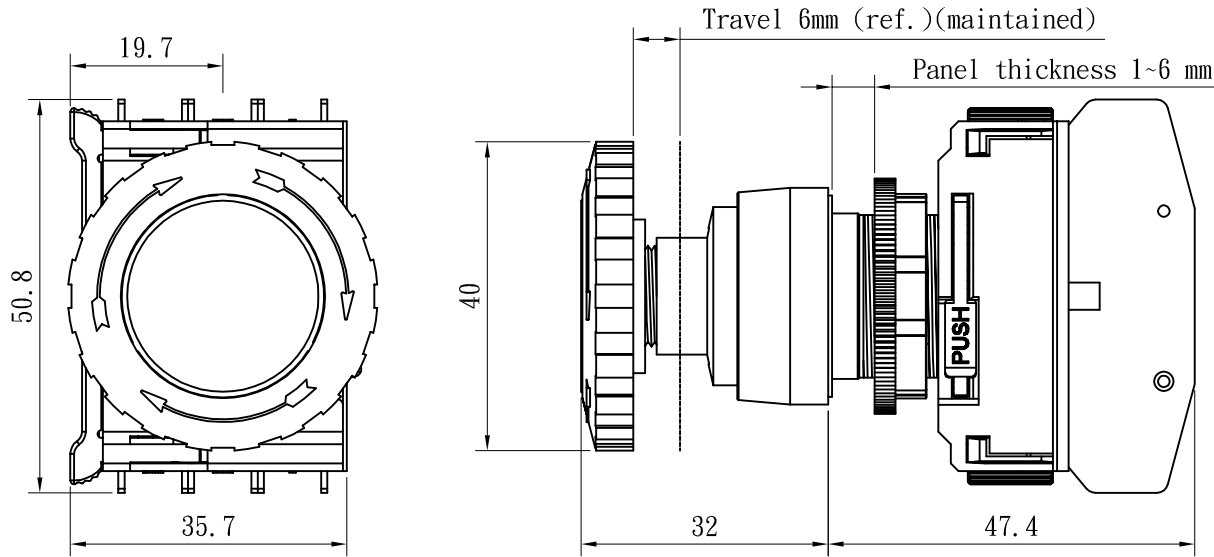
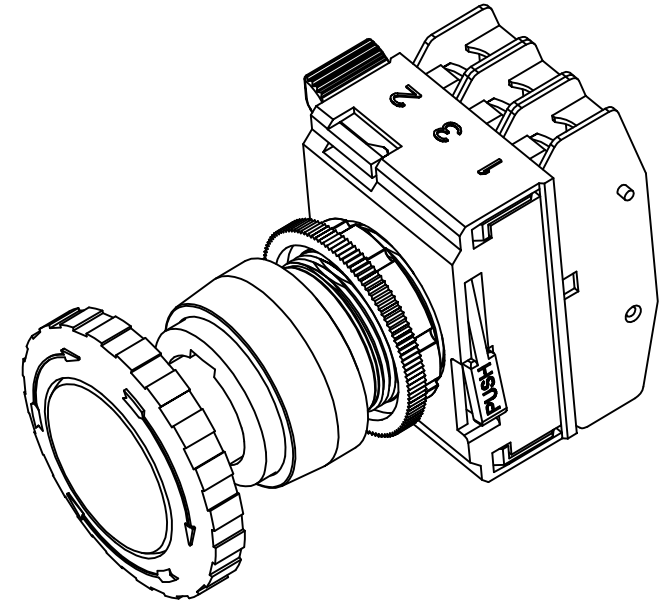
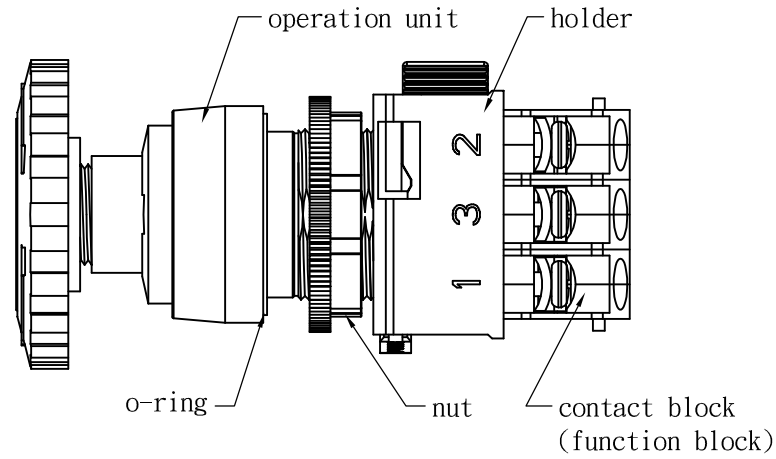
Remark :

- The colors of contact block are the followings: 1 NO: blue, 1 NC: red
- Maximum 3 contact blocks for every contact unit.

9-3. CAUTION

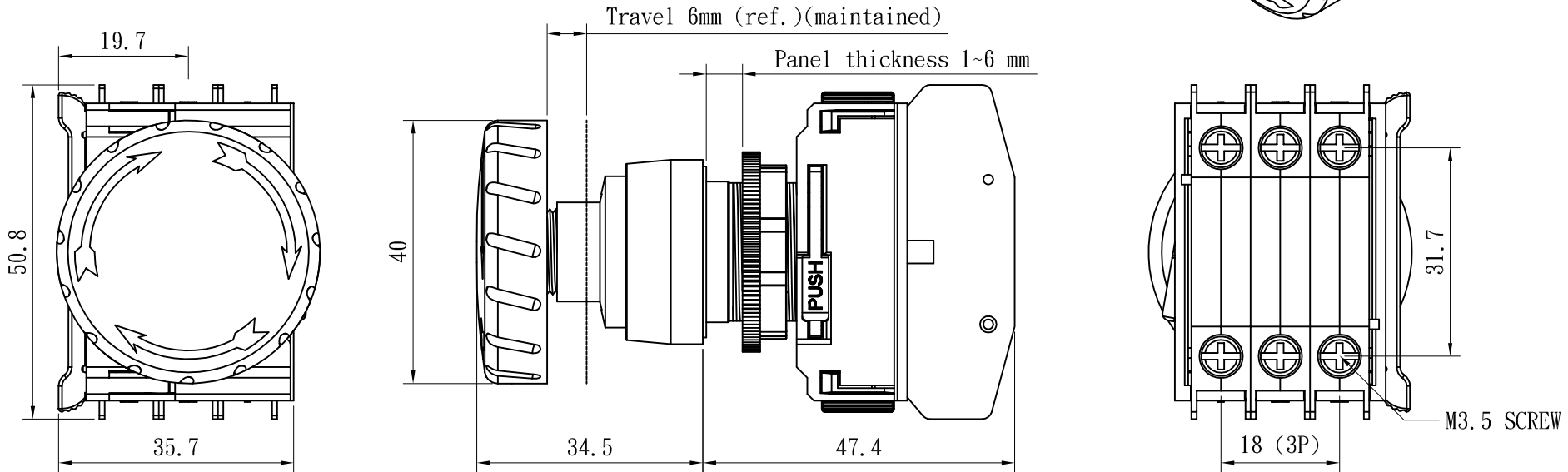
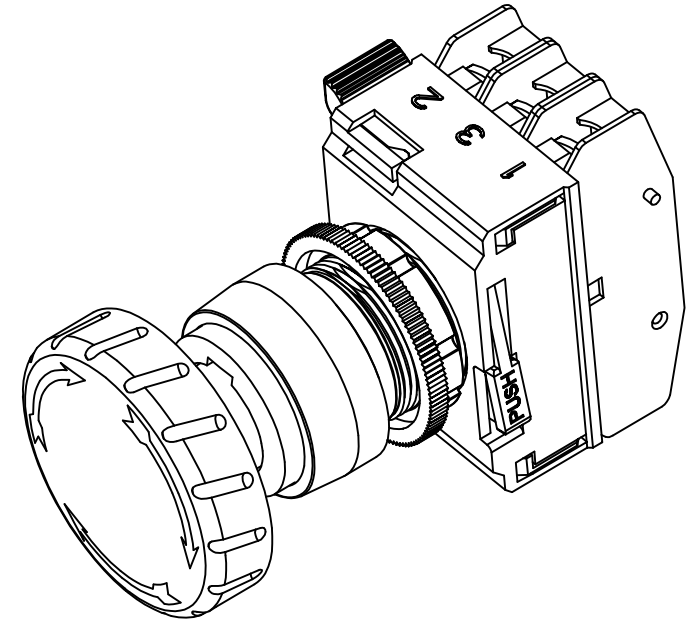
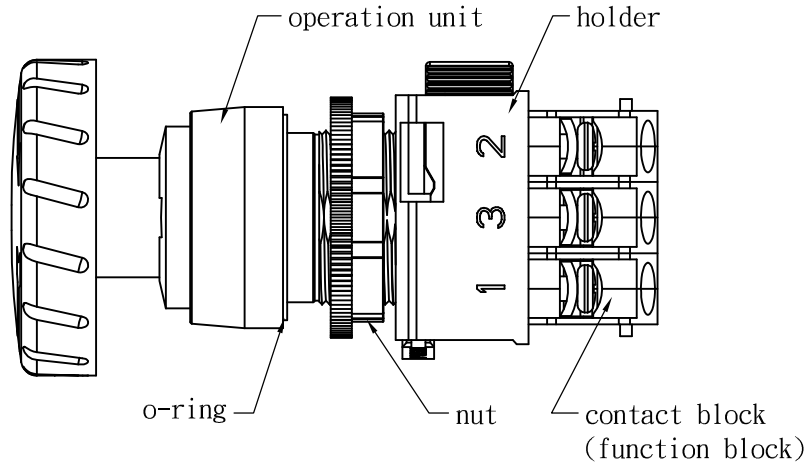
- To prevent injury, this device must be disconnected from all power sources prior to wiring and other initiating work.
- Use tightening tool when installing the operation unit in the panel cutout. Do not use pliers and do not tighten excessively, otherwise the operation unit may be damaged.
- Make sure contact blocks are firmly fixed on contact holder during assembly. it will avoid contact blocks separated from holder during operation.


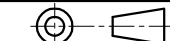
ECS-22RE1XX-XXXQ



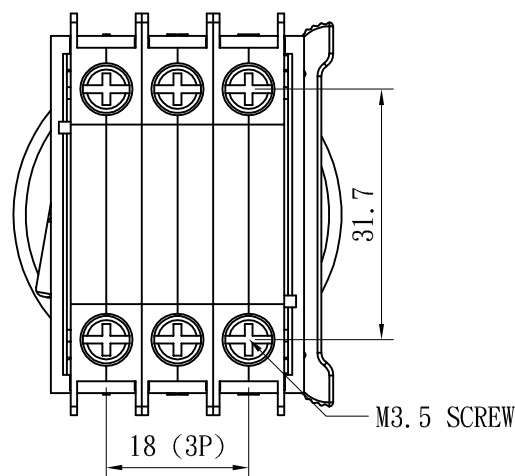
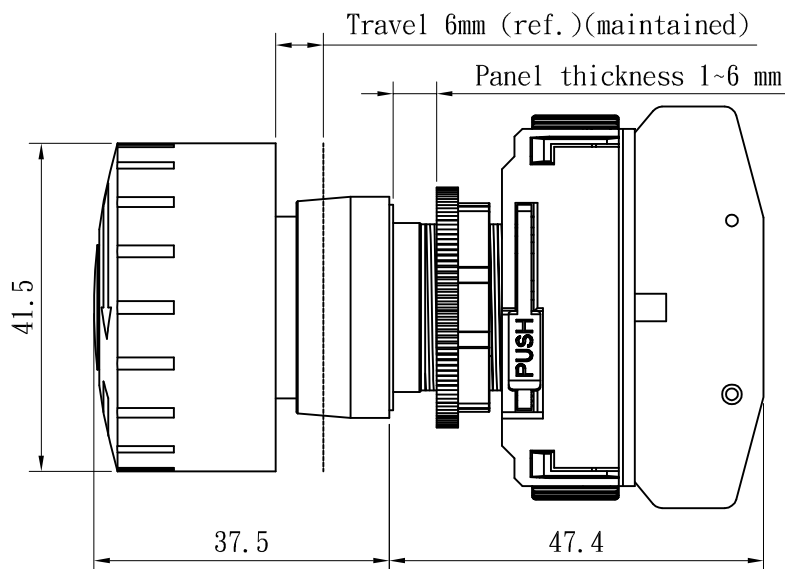
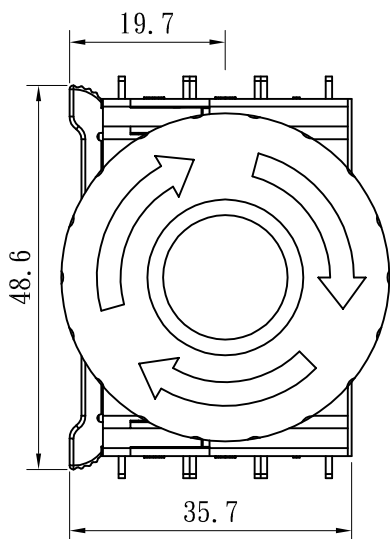
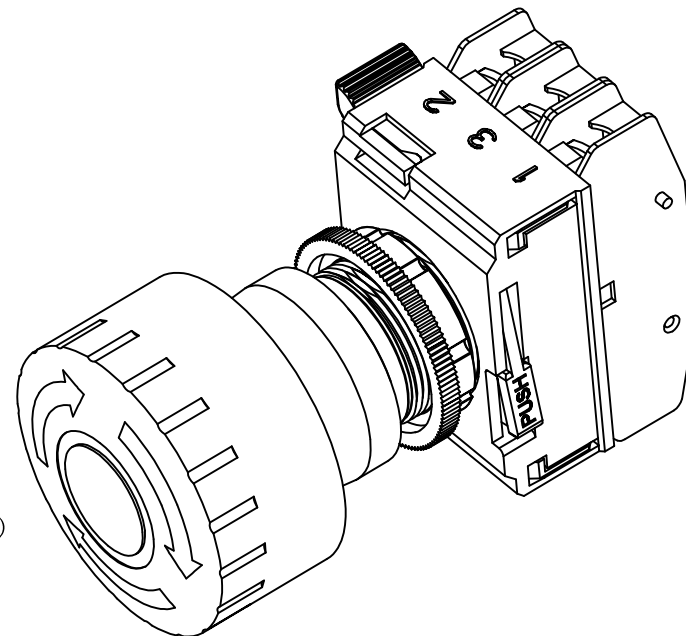
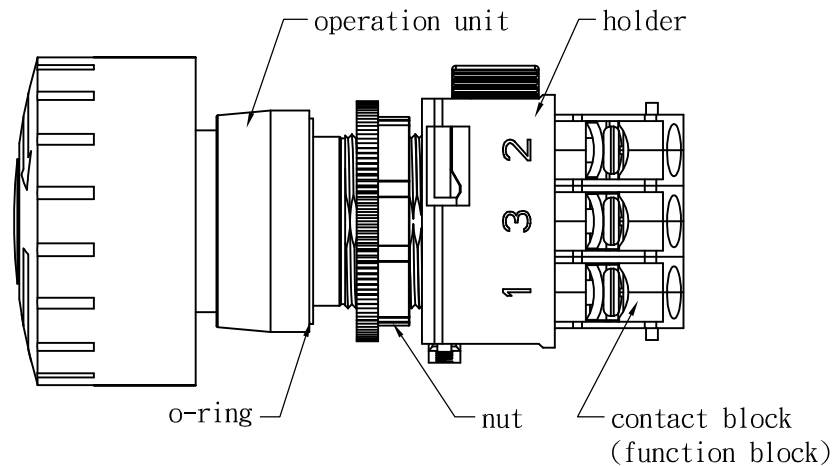
				NORMAL TOLERANCE		ECE EXCEL CELL ELECTRONIC CO., LTD.				PART NUMBER		ECS-22RE1XXX-XXXQ							
				RANGE	TOLERANCE					UNIT		MM (INCH)		PART NAME		ECS			
				0-1	±0.1	CHECK	Marcus Li	DESIGN	Allen Shi	DRAWN	Allen Shi	SCALE		1:1		TYPE		Emergency	
				1-4	±0.3							SIZE		A4		FILE NAME		76922RE1001A.dwg	
				4-16	±0.5							PROJECTION				EDITION		A	
				16-63	±0.8														
				63-250	±1.0														
NO.	DETAILS	ALTERED BY	DATE																

ECS-22RE1RM1Q-XXXQ



				NORMAL TOLERANCE		 EXCEL CELL ELECTRONIC CO., LTD.				PART NUMBER		ECS-22RE1RM1Q-XXXQ	
				RANGE	TOLERANCE					UNIT	MM (INCH)	PART NAME	ECS
				0-1	±0.1	SCALE	1:1	TYPE	Emergency				
				1-4	±0.3	SIZE	A4	FILE NAME	76922RE10M1A.dwg				
				4-16	±0.5	PROJECTION		EDITION	A				
				16-63	±0.8								
				63-250	±1.0								
NO.	DETAILS	ALTERED BY	DATE	CHECK	Marcus Li	DESIGN	Allen Shi	DRAWN	Allen Shi				

ECS-22RE1RM2Q-XXXQ



				NORMAL TOLERANCE		EXCEL CELL ELECTRONIC CO., LTD.				PART NUMBER		ECS-22RE1RM2Q-XXXQ							
				RANGE	TOLERANCE					UNIT		MM (INCH)		PART NAME		ECS			
				0-1	±0.1	CHECK	Marcus Li	DESIGN	Allen Shi	DRAWN	Allen Shi	SCALE		1:1		TYPE		Emergency	
				1-4	±0.3							SIZE		A4		FILE NAME		76922RE10M2A.dwg	
				4-16	±0.5							PROJECTION				EDITION		A	
				16-63	±0.8														
				63-250	±1.0														
NO.	DETAILS	ALTERED BY	DATE																