 EXCEL CELL ELECTRONIC CO., LTD.	NO.	A31257		
	SPECIFICATION	Edition	3	Page

<h2>ECS - INDUSTRIAL CONTROL SWITCH PUSHBUTTON (SMALL COMPACT SIZE)</h2>

1. FEATURES

- Detachable contact block for easy installation and removal. It can meet variety of needs and improve work efficiency.
- IP65 waterproof type. It is designed for liquid and oil prevention and enables to be used in different environment.
- Short contact unit design to save more space.
- The safety design of slide locking holder is not only for easy installation and removal, but also for prevention of inappropriate installation of contact blocks.
- In accordance with the standards of UL, cUL, CE, CCC, and TUV.


2. SPECIFICATIONS

2.1. ELECTRICAL

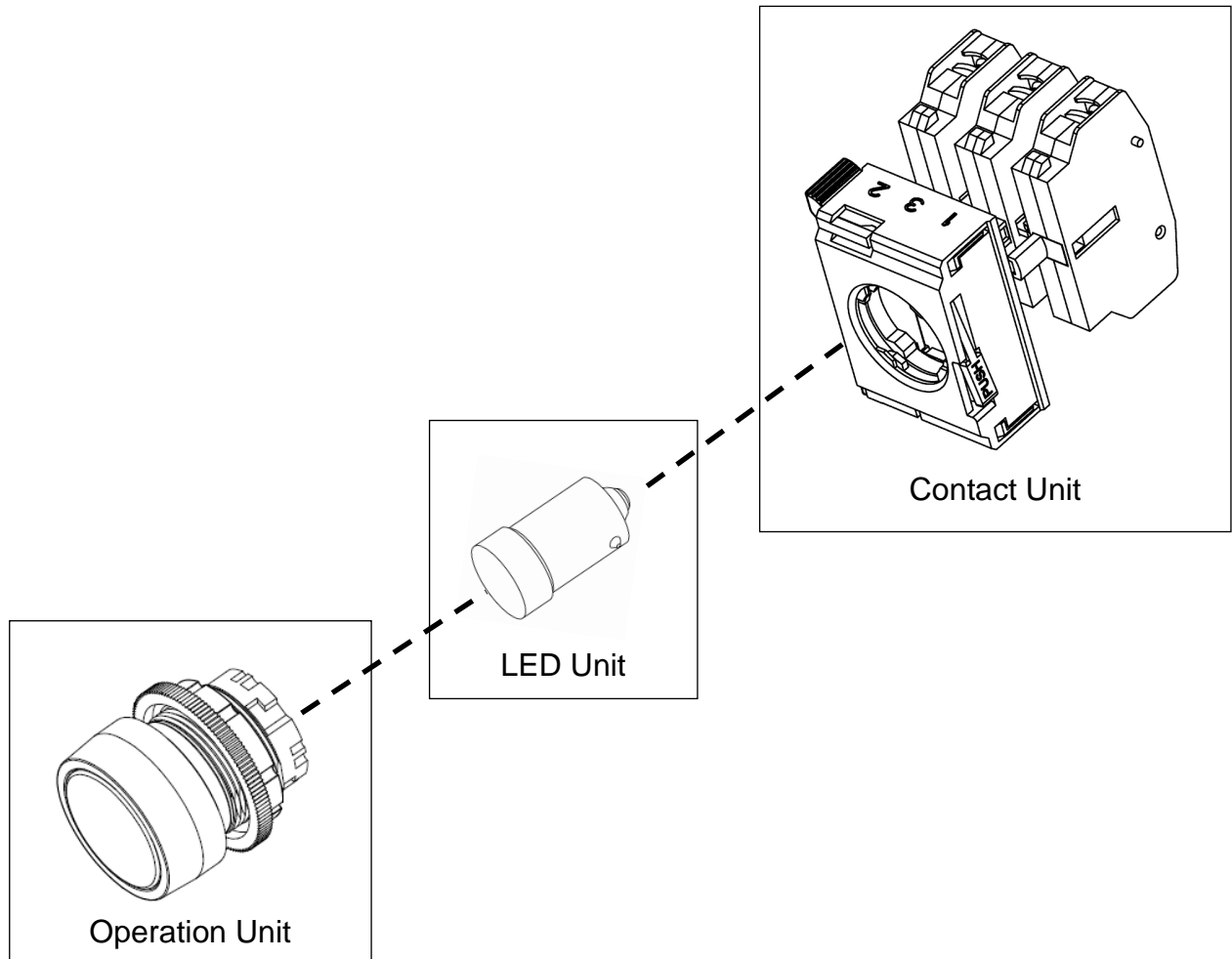
2-1-1. Rated thermal current	10A
2-1-2. Rated insulation voltage	650V
2-1-3. Utilization category	AC-15(A600) or Ue 240V / Ie 3A Ue 380V / Ie 1.9A DC-13(P600) or Ue 250V / Ie 0.55A
2-1-4. Minimum switching capacity [ref.]	3V DC/AC, 5mA
2-1-5. Dielectric strength	2500V AC, 1 min.
2-1-6. Insulation resistance	100MΩ min. at 500V DC
2-1-7. Contact resistance	50mΩ max. (initial)

2-2. MECHANICAL AND ENVIRONMENTAL


2-2-1. Operating temperature	-25°C ~ +70°C (without icing or condensation) -25°C ~ +55°C (for illuminated type)
2-2-2. Storage temperature	-40°C ~ +85°C
2-2-3. Humidity	45% ~ 85% RH
2-2-4. Degree of protection	IP65 (from the front of the panel)
2-2-5. Degree of contamination	3 (IEC 60947-5-1)
2-2-6. Vibration resistance	10-55Hz single amplitude 0.5mm
2-2-7. Shock resistance	100 m/s ² (10G)(malfunction) 1000 m/s ² (100G)(destruction)
2-2-8. Mechanical Life	5,000,000 operations(for momentary type) frequency 3600 operations/hr 500,000 operations(for maintained type) frequency 1800 operations/hr
2-2-9. Electrical Life	500,000 operations frequency 1800 operations/hr
2-2-10. Operation Force(from 1a1b)[ref.]	25N (for momentary type) 15N (for maintained type)
2-2-11. Operation travel	over 4 mm
2-2-12. Connection type	M3.5 screw connection
2-2-13. Direct opening action	Direct opening mechanism of NC contact to open the circuit⊕

 EXCEL CELL ELECTRONIC CO., LTD.	NO.	A31257		
	SPECIFICATION	Edition	3	Page

3. CONSTRUCTION

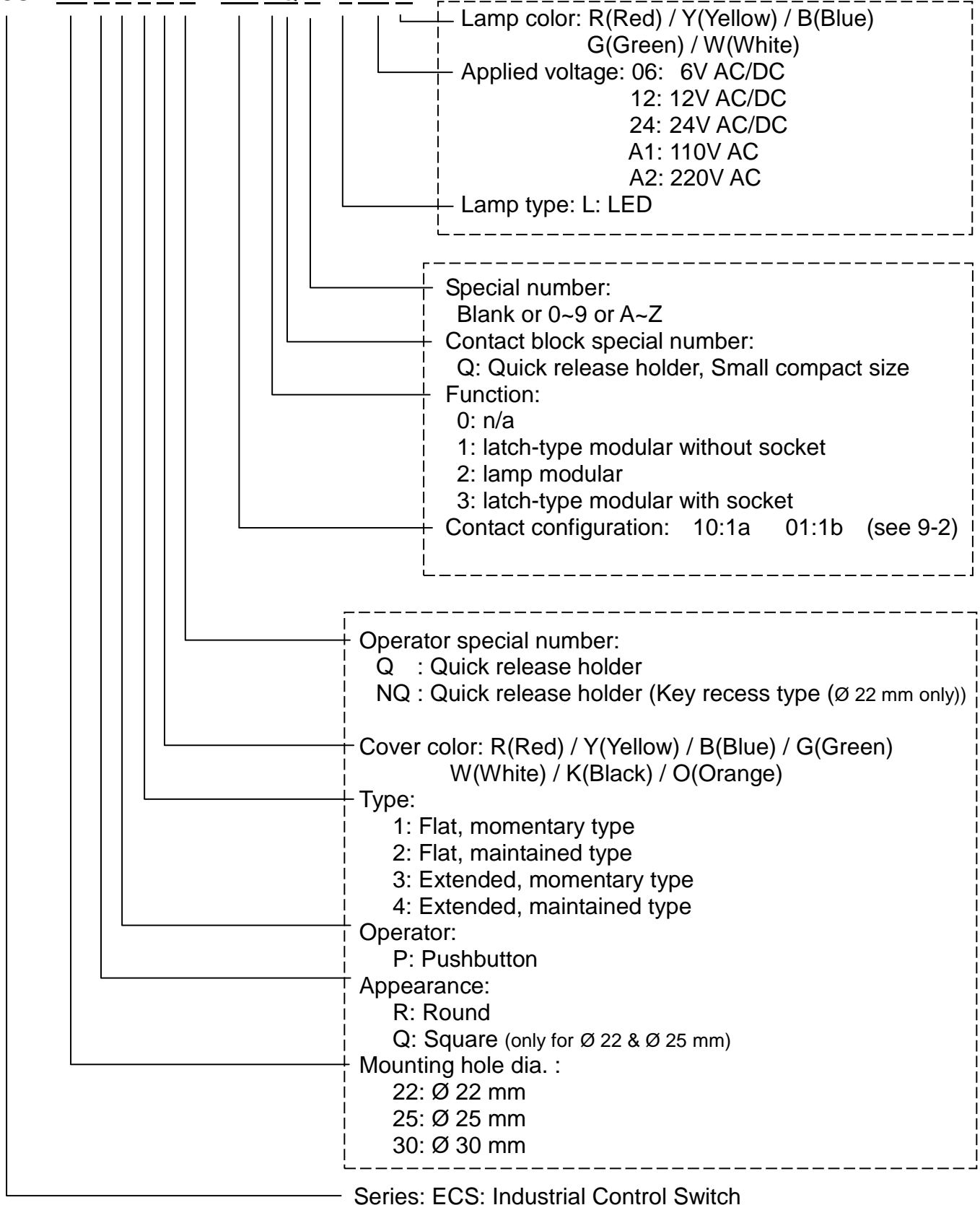



- Operation unit, LED unit, and contact unit (contact blocks) can be sold separately. Please see [4.Part numbering system] for operation unit part number. For other accessories (LED lamp, contact block, etc.), please refer to accessory part in catalog.

 EXCEL CELL ELECTRONIC CO., LTD.	NO.	A31257		
	SPECIFICATION	Edition	3	Page

4. PART NUMBERING SYSTEM

ECS - XX X P 1 R X - XX XQ X - L XX R



 EXCEL CELL ELECTRONIC CO., LTD.	NO.	A31257		
	SPECIFICATION	Edition	3	Page

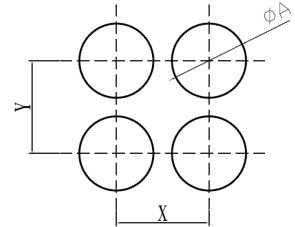
5. INSTALLATION

5-1. Panel thickness

- The panel thickness must be 1 to 6 mm.
- Take into consideration about the thickness of accessories (such as name plate, switch guard, etc.) while using.

5-2. Panel cutout

- Cutout diameter and distance



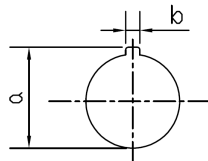
Unit: mm

	22R / 25R	22Q / 25Q	30R
A	22.3/25.3 $\begin{smallmatrix} +0.4 \\ -0 \end{smallmatrix}$	22.3/25.3 $\begin{smallmatrix} +0.4 \\ -0 \end{smallmatrix}$	30.5 $\begin{smallmatrix} +0.5 \\ -0 \end{smallmatrix}$

Unit: mm

	22R / 25R	22Q / 25Q	30R	Long Lever Selector Switch Emergency Stop Switch
X	50	50	50	50
Y	55	55	65	55

- Key recess cutout (Ø 22mm only)



Unit: mm


Mounting Hole(Ø)	a	b
22	24.1 $\begin{smallmatrix} +0.5 \\ -0 \end{smallmatrix}$	3.2 $\begin{smallmatrix} +0.2 \\ -0 \end{smallmatrix}$

- Panel installation

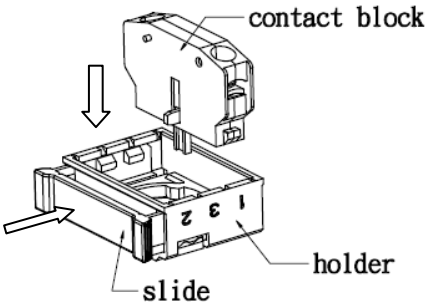
	<ol style="list-style-type: none"> 1. Place the operation unit through panel mounting hole. 2. Install the nut by using tightening tool. 3. Make sure the operation unit fix on the panel firmly.
--	--

5-3. Operation unit and contact unit installation

	<ol style="list-style-type: none"> 1. Fix the operation unit on the panel. 2. Press the lever and connect the operation unit with contact unit. 3. Release the lever.
--	--

 EXCEL CELL ELECTRONIC CO., LTD.	NO.	A31257		
	SPECIFICATION	Edition	3	Page

5-4. Contact block installation

	<ol style="list-style-type: none"> 1. Open the slide. 2. Contact block needs to fit with holder position correctly. 3. Close the slide completely. <p>(If you are unable to close the slide completely, please check the correctness of contact block installation.)</p>
---	---

6. PACKAGING

6-1. ECS product is packed without assembly (packed by set), 10 sets per box.

6-2. Label information

- | | |
|-------------------|-------------------------|
| (1) part number | (6) QC inspection stamp |
| (2) Lot number | (7) Company mark |
| (3) Quantity | (8) Company name |
| (4) Tester number | (9) Notice |
| (5) Date code | |

7. DIMENSIONS

7-1. See attached drawings

8. OPTIONS

8-1. Key recess type operation unit is available (Ø22mm only)

8-2. Ø22mm and Ø25mm type have the same structure. Different thickness of O-rings can be ordered separately to fit into Ø22mm and Ø25mm hole in the panel.

8-3. LED Specification


LED Type	BA9S-T8
Durability(reference)	Approx. 50,000 Hrs.
Voltage	Printed on the LED

8-4 For other accessories (name plate, control box, and etc.), please refer to accessory part in the catalog.

9.REMARK

9-1. Safety Certification

Safety Standard	Certification
UL-508	UL / cUL , file NO. E155181
CSA C22.2 NO.14	
EN60947-5-1	R50363071
EN60947-5-5 (Emergency Stop Switch)	R50362996
CCC GB14048.5	CQC2018010305138937

 EXCEL CELL ELECTRONIC CO., LTD.	NO.	A31257		
	SPECIFICATION	Edition	3	Page

9-2. Contact Configuration

Code	Contact block		without function block	with function block
	NO	NC		
10	1	0	●	●
01	0	1	●	●
11	1	1	●	●
20	2	0	●	●
02	0	2	●	●
12	1	2	●	/
21	2	1	●	
30	3	0	●	
03	0	3	●	

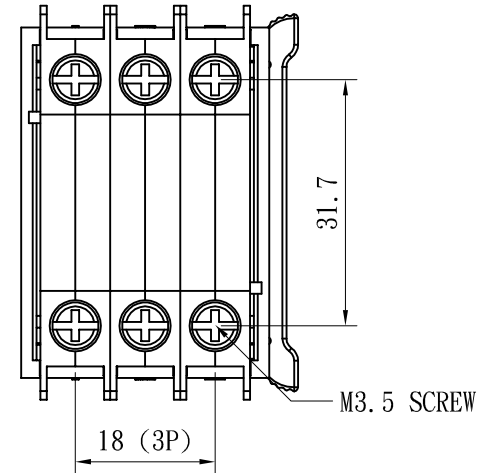
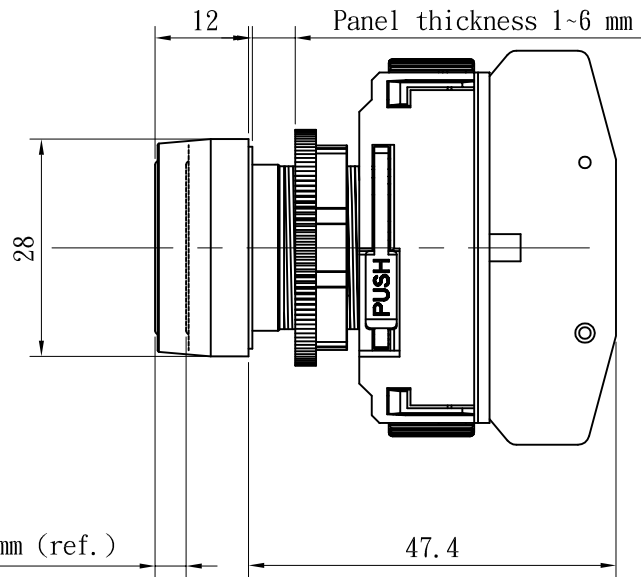
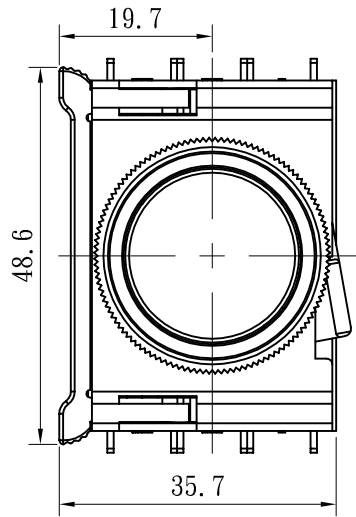
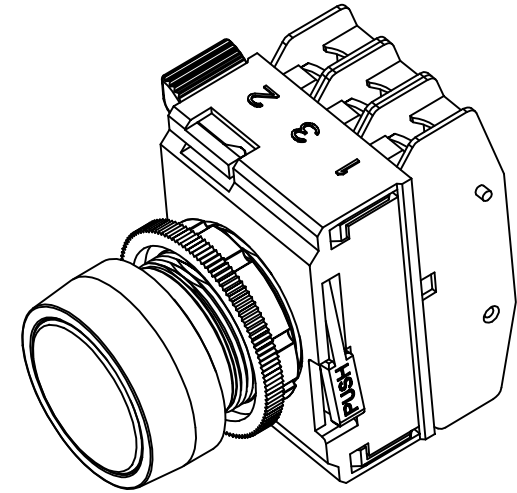
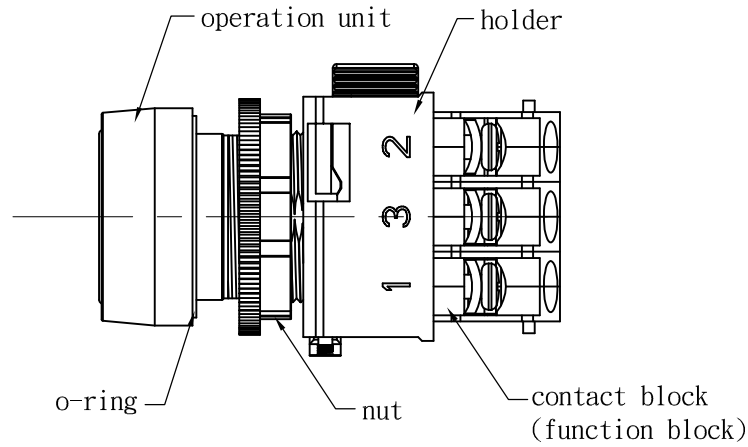
Remark:

- The colors of contact block are the followings: 1 NO: blue, 1 NC: red
- Maximum 3 contact blocks for every contact unit.


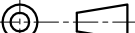
9-3. CAUTION

- To prevent injury, this device must be disconnected from all power sources prior to wiring and other initiating work.
- Use tightening tool when installing the operation unit in the panel cutout. Do not use pliers and do not tighten excessively, otherwise the operation unit may be damaged.
- Make sure contact blocks are firmly fixed on contact holder during assembly. it will avoid contact blocks separated from holder during operation.

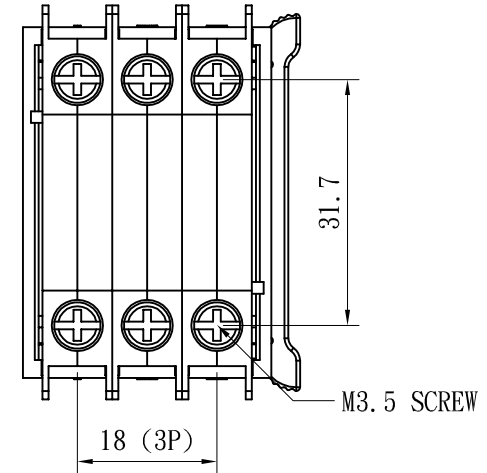
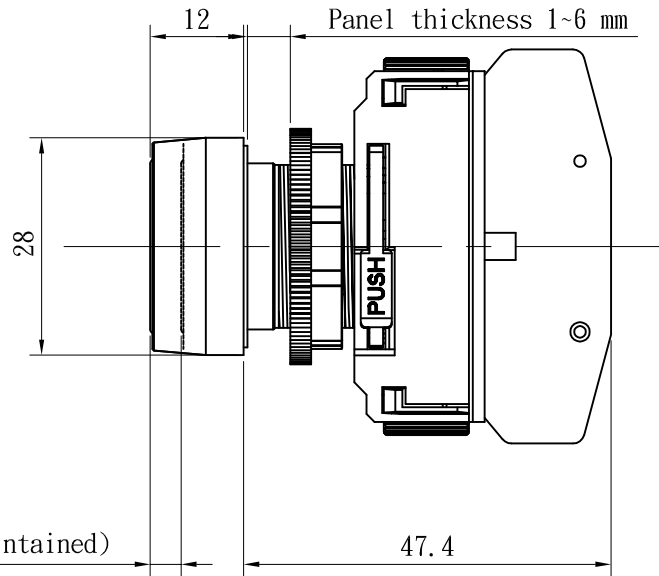
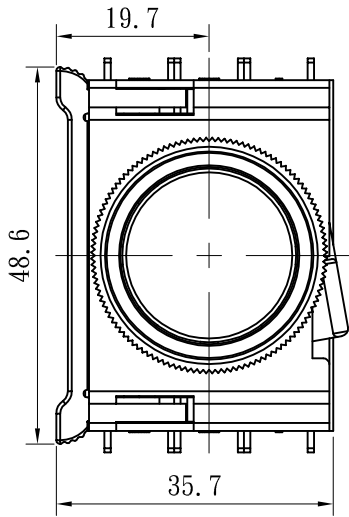
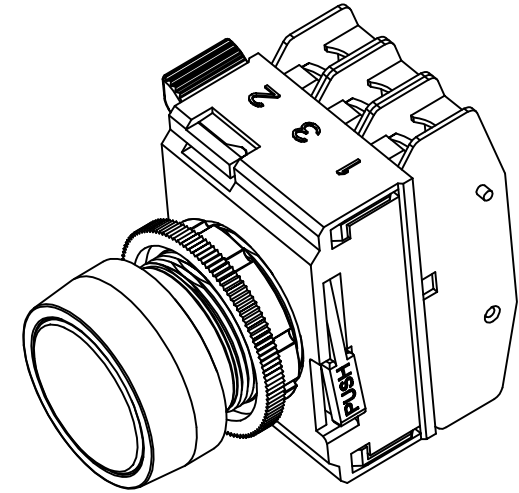
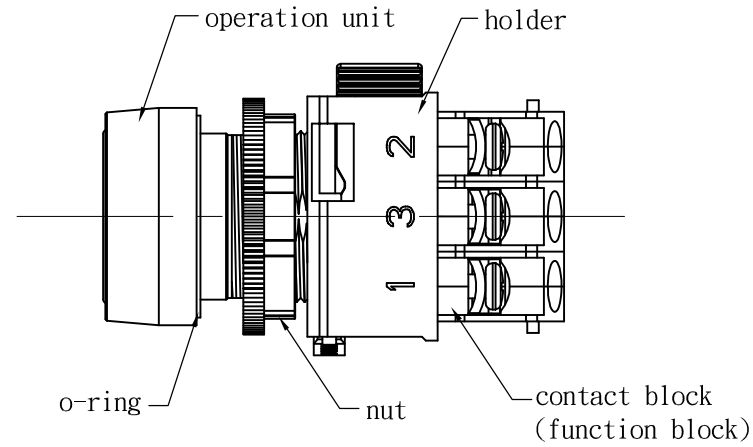
ECS-22RP1XX-XXXQ




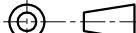
Travel 4 mm (ref.)

			NORMAL TOLERANCE		 EXCEL CELL ELECTRONIC CO., LTD.				PART NUMBER		ECS-22RP1XX-XXXQ						
			RANGE	TOLERANCE					UNIT		MM (INCH)		PART NAME	ECS			
			0-1	±0.1	CHECK	Marcus Li	DESIGN	Allen Shi	DRAWN	Allen Shi	SCALE	1:1	TYPE	Pushbutton			
			1-4	±0.3							SIZE	A4	FILE NAME	76922RPXXQA.DWG			
			4-16	±0.5							PROJECTION			EDITION	A		
			16-63	±0.8													
			63-250	±1.0													
NO.	DETAILS	ALTERED BY	DATE														

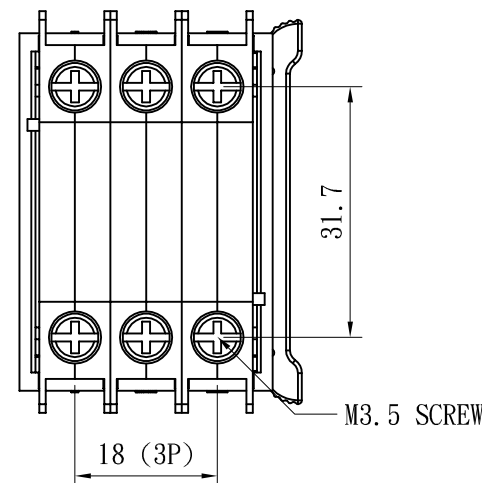
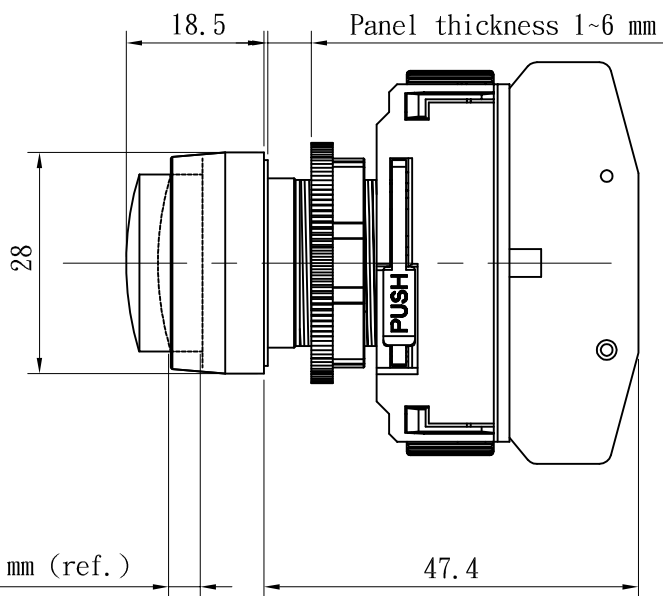
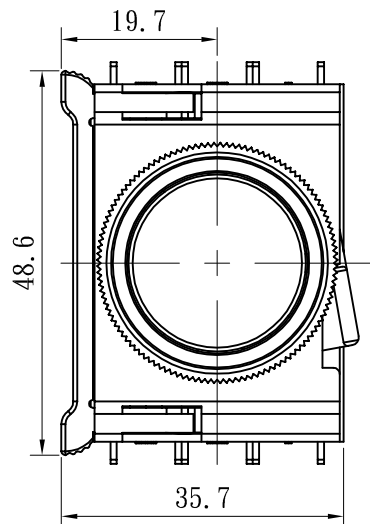
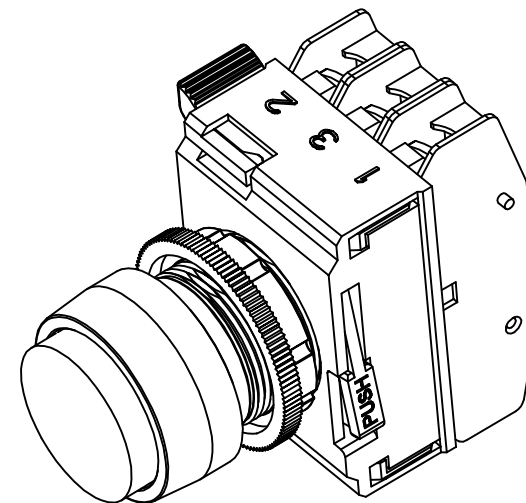
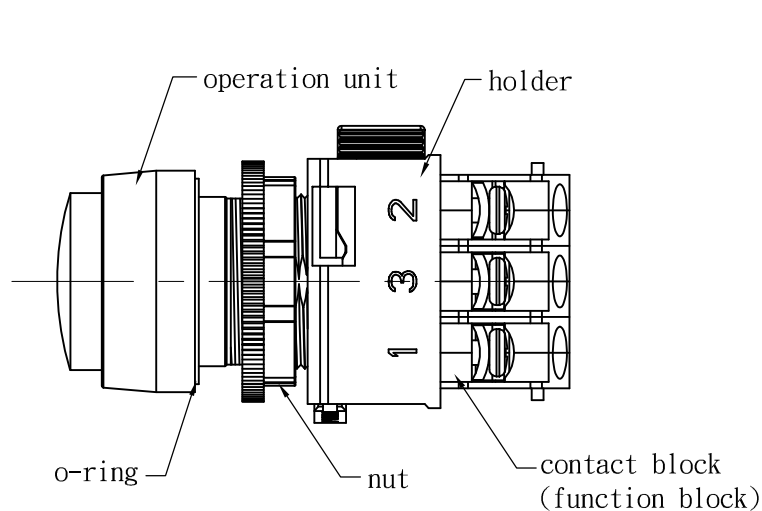
ECS-22RP2XX-XXXQ




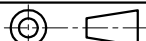
Travel 4 mm (ref.)(maintained)

				NORMAL TOLERANCE		 EXCEL CELL ELECTRONIC CO., LTD.				PART NUMBER	ECS-22RP2XX-XXXQ	
				RANGE	TOLERANCE					UNIT	MM (INCH)	PART NAME
				0-1	±0.1	SCALE	1:1	TYPE	Pushbutton			
				1-4	±0.3	SIZE	A4	FILE NAME	76922RPXXQA.DWG			
				4-16	±0.5	CHECK Marcus Li DESIGN Allen Shi DRAWN Allen Shi	PROJECTION 	EDITION	A			
				16-63	±0.8							
				63-250	±1.0							
NO.	DETAILS	ALTERED BY	DATE									

ECS-22RP3XX-XXXQ



Travel 4 mm (ref.)

				NORMAL TOLERANCE		 EXCEL CELL ELECTRONIC CO., LTD.				PART NUMBER		ECS-22RP3XX-XXXQ	
				RANGE	TOLERANCE					UNIT	MM (INCH)	PART NAME	ECS
				0-1	±0.1	SCALE	1:1	TYPE	Pushbutton				
				1-4	±0.3	SIZE	A4	FILE NAME	76922RPXXQA.DWG				
				4-16	±0.5	PROJECTION		EDITION	A				
				16-63	±0.8								
				63-250	±1.0								
NO.	DETAILS	ALTERED BY	DATE	CHECK	Marcus Li	DESIGN	Allen Shi	DRAWN	Allen Shi				

