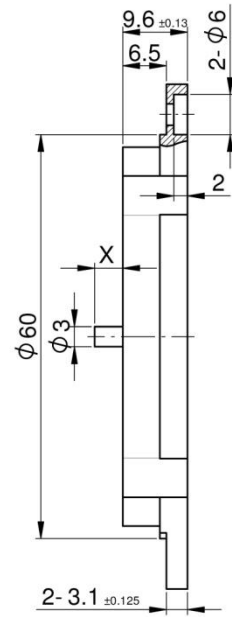
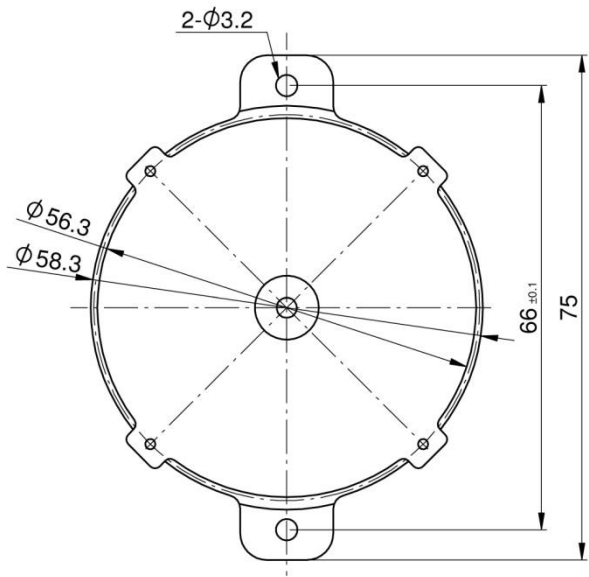




NEOCENE

2H57A2 | SPECIFICATION



Model	2H57A2(Bipolar)						
	Step Angle	Rated Voltage	Rated Current	Holding Torque	Detent Torque	Winding Resistance	Inductance
	Deg	V	A	mN · m	mN · m	Ω	mH
2H57A2	1.8	12	0.8	60	8	3.5	1.8