



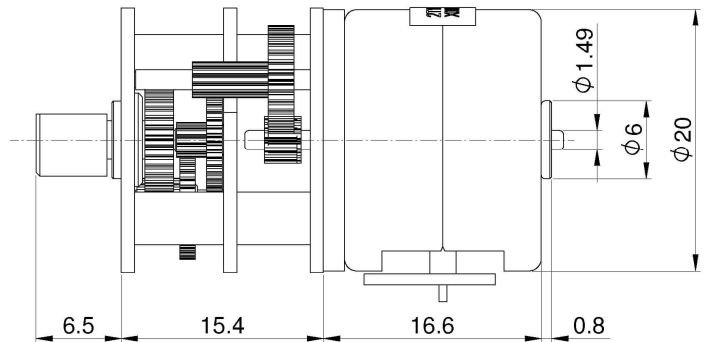
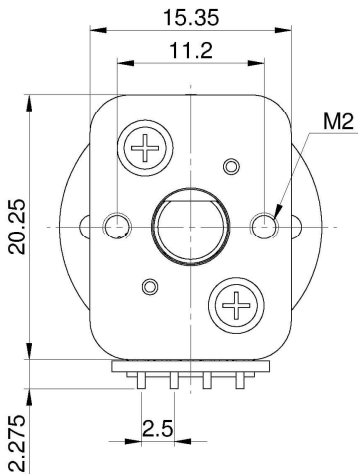
## SUMMARY

D20 Motor is Converted to High Output  
Torque via a Gear Box  
Customizable Gearbox Deceleration Ratio

## USES

- EV Charging Station
- Aircondition
- LED Light Control
- Driving Recorder & Navigation
- Projector
- Automatic Inspection Equipment
- Medical Equipment

## ➤ DIMENSIONS :





Item	2A2013
Standard voltage	24V
Standard Current	100 mA/Phase
Number of phase	4 Phase
Step angles	18° / Step(Output shaft 0.151° / Step)
Transmission ratio	1:119 (customization)
Excitation	2-2 Bipolar
Pull-out torque	1.2 kg-cm or more / 500 pps
Holding torque	2.5 kg-cm or more
Resistance per phase	20 Ω
Max pull-out pulse rate	2500 pps or more
Max pull-in pulse rate	700 pps or more

## ➤ CHARACTERISTICS :

### 24V

