



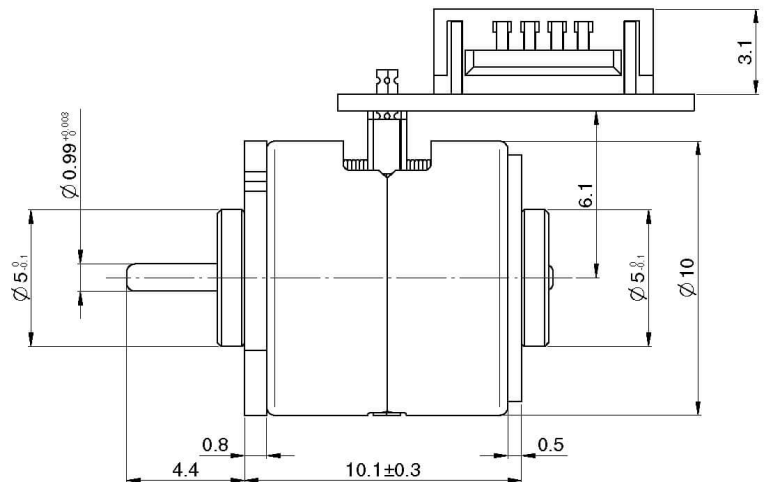
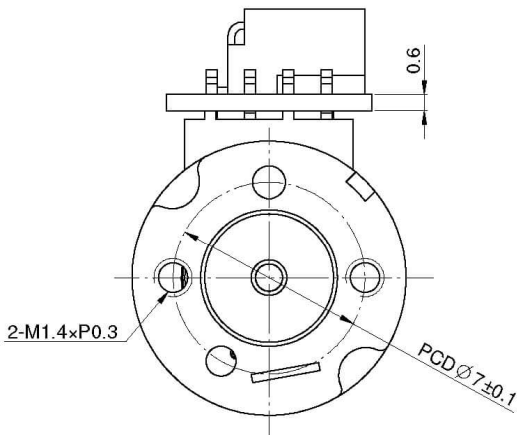
SUMMARY

At present, 2T1013 series (add-on gearbox available) has been applied by world renowned manufacturer

USES

Hand-held POS machines, photo printers, LCD screen color calibration sticks, desktop gaming computers, and medical blood pump devices

➤ DIMENSIONS :





NEOCENE

2T1013 | SPECIFICATION

Item	2T1013
Standard voltage	12V
Standard Current	400 mA/Phase
Number of phase	4 Phase
Step angles	18° / Step
Excitation	2-2 Bipolar
Pull-out torque	12 g-cm or more / 2000 pps
Pull-in torque	10 g-cm or more / 1000 pps
Holding torque	30 g-cm or more
Resistance per phase	15 Ω
Max pull-out pulse rate	2000 pps or more
Max pull-in pulse rate	1000 pps or more

➤ CHARACTERISTICS :

12V

