



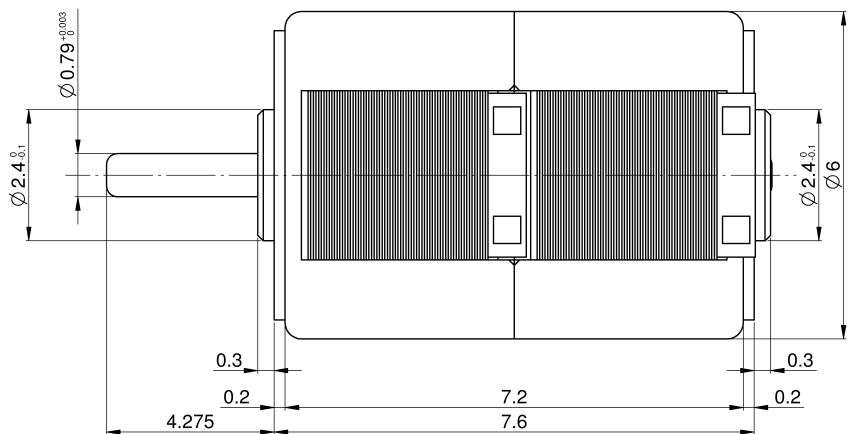
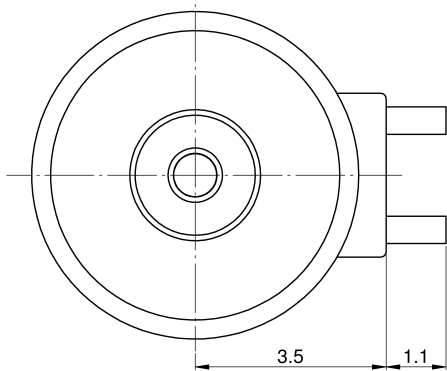
SUMMARY

Diameter $\varnothing 6$ step motor is the industry's most sophisticated micro step motor

USES

Portable photo printer \ smart phone zoom lens micro and medical syringe

➤ DIMENSIONS :





NEOCENE

2T0612 | SPECIFICATION

Item	2T0612
Standard voltage	5.0V
Standard Current	300 mA/Phase
Number of phase	4 Phase
Step angles	18° / Step
Excitation	2-2 Bipolar
Pull-out torque	2.0 g-cm or more / 3000 pps
Pull-in torque	2.5 g-cm or more / 1000 pps
Holding torque	4.0 g-cm or more
Resistance per phase	20 Ω
Max pull-out pulse rate	3000 pps or more
Max pull-in pulse rate	1500 pps or more

➤ CHARACTERISTICS :

5V

