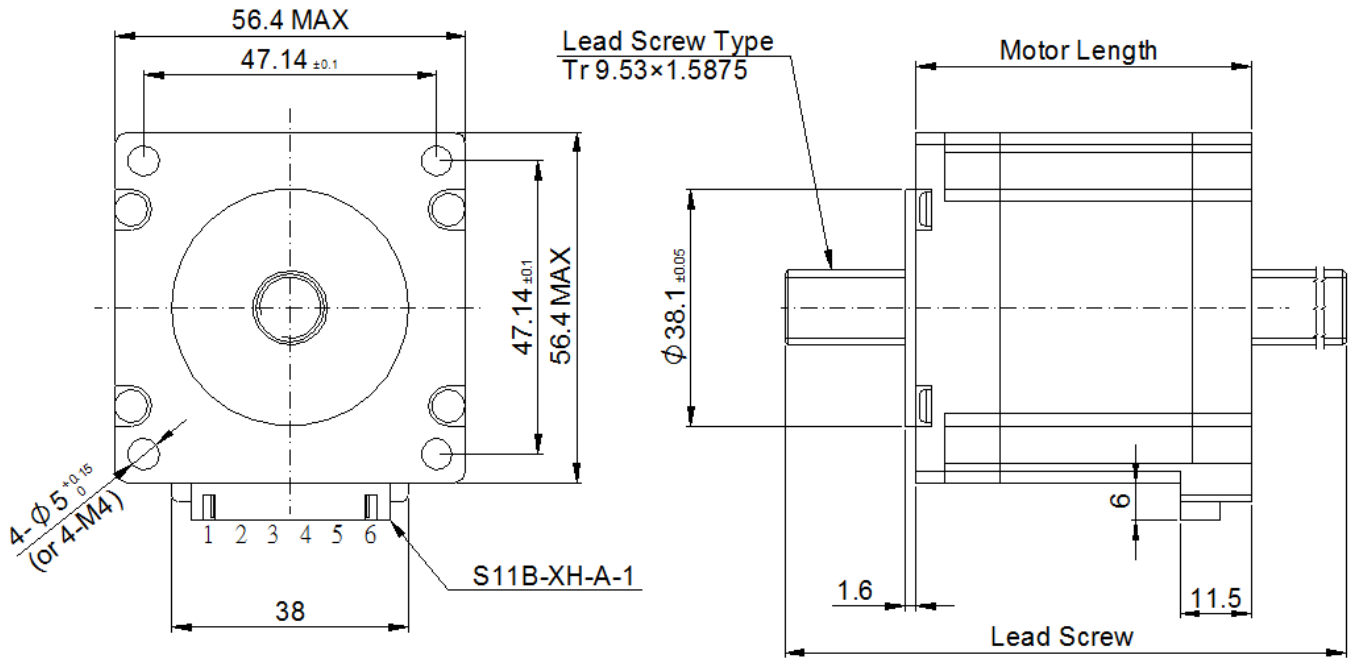




NEOCENE 2H56A(Linear) | SPECIFICATION



Model	2H56A(Bipolar)							
	Linear Travel	Step Angle	Force (1000pps)	Rated Voltage	Rated Current	Winding Resistance	Inductance	Motor Length
	mm/Step	Deg	Kgf	V	A	Ω	mH	mm
2H56A (Linear)	0.0079375	1.8	80	3~48	2.2	1.6	7.2	54