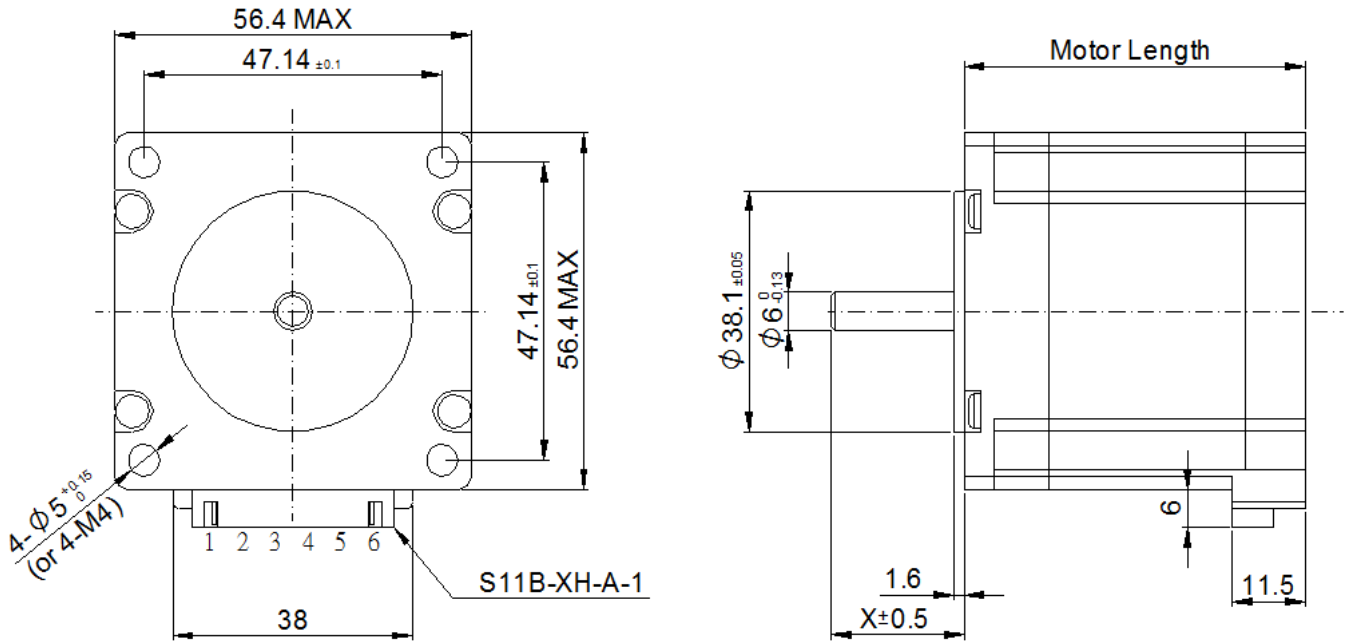




# NEOCENE

# 2H56A | SPECIFICATION



Model	2H56A(Bipolar)						
	Step Angle	Rated Voltage	Holding Torque	Rated Current	Winding Resistance	Inductance	Motor Length
	Deg	V	mN · m	A	Ω	mH	mm
2H56A9	1.8	2~48	600	2.0	2.0	4.1	45
2H56AA	1.8		900	0.6	12	40	50
2H56AB	1.8		1000	2.5	1.2	4.2	54
2H56AG	1.8		1750	2.5	2.4	9.0	76

Model	2H56A(Unipolar)						
	Step Angle	Rated Voltage	Holding Torque	Rated Current	Winding Resistance	Inductance	Motor Length
	Deg	V	mN · m	A	Ω	mH	mm
2H56A9	1.8	2~48	350	1.0	5.0	5.0	41
2H56AA	1.8		750	1.6	2.6	5.0	50
2H56AB	1.8		750	3.0	0.75	1.2	54