



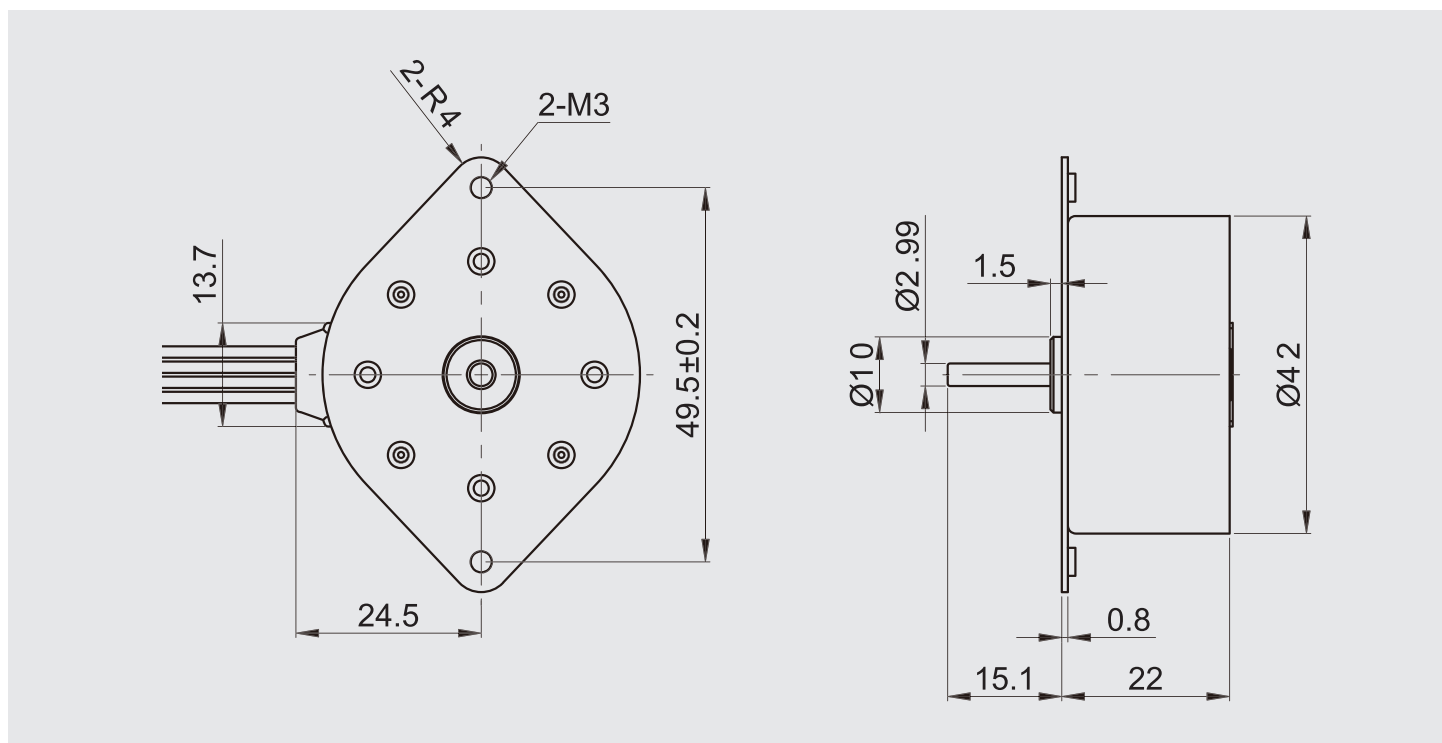
## SUMMARY

Suitable for large printer.

## USES

Surveillance Camera / Label Printer

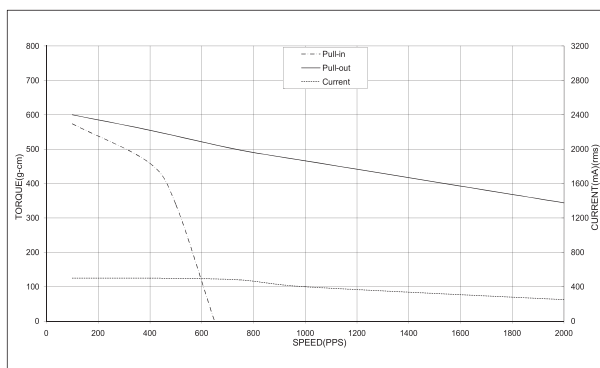
## DIMENSIONS:



| Item                    | 2T4235                     |                             |
|-------------------------|----------------------------|-----------------------------|
| Standard voltage        | 24 V                       | 24 V                        |
| Standard Current        | 500 mA / Phase             | 700 mA / Phase              |
| Number of phase         | 4 phase                    | 4 phase                     |
| Step angles             | 7.5° / Step                | 7.5° / Step                 |
| Excitation              | 2-2 Bipolar                | 1-2 Bipolar                 |
| pull-out torque         | 477 g-cm or more / 750 pps | 368 g-cm or more / 2200 pps |
| pull-in torque          | 400 g-cm or more / 400 pps | 872 g-cm or more / 400 pps  |
| Holding torque          | 610 g-cm or more           | 1150 g-cm or more           |
| Resistance per phase    | 2.1 Ω                      | 7 Ω                         |
| Max pull-out pulse rate | 2000 pps or more           | 2460 pps or more            |
| Max pull-in pulse rate  | 500 pps or more            | 1650 pps or more            |

## CHARACTERISTICS:

24 V



24 V

