

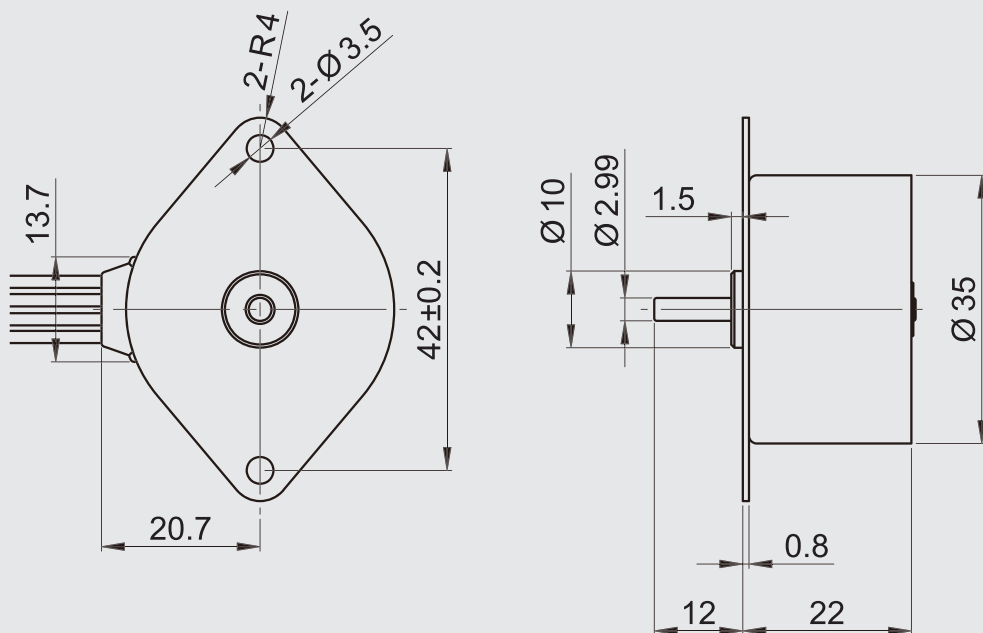
SUMMARY

Electric insulativity is well and can be applicable in Alternating current(AC) and Direct current(DC) both .

USES

Surveillance Camera / Scanner / Printer / Air-condition

DIMENSIONS:



Item	2T3565
Standard voltage	AC 24 V
Number of phase	2 phase
Step angles	7.5° / Step
Excitation	2-2 Bipolar
pull-out torque	426 g-cm or more / 60 Hz
pull-in torque	400 g-cm or more / 60 Hz
Holding torque	500 g-cm or more
Resistance per phase	78 Ω

Products mentioned in this catalog are subject to modification in their appearance and others for improvements without prior notification.

The details listed here are not a guarantee of the individual products at the time of ordering. When using the products, you will be asked to check their specifications.