



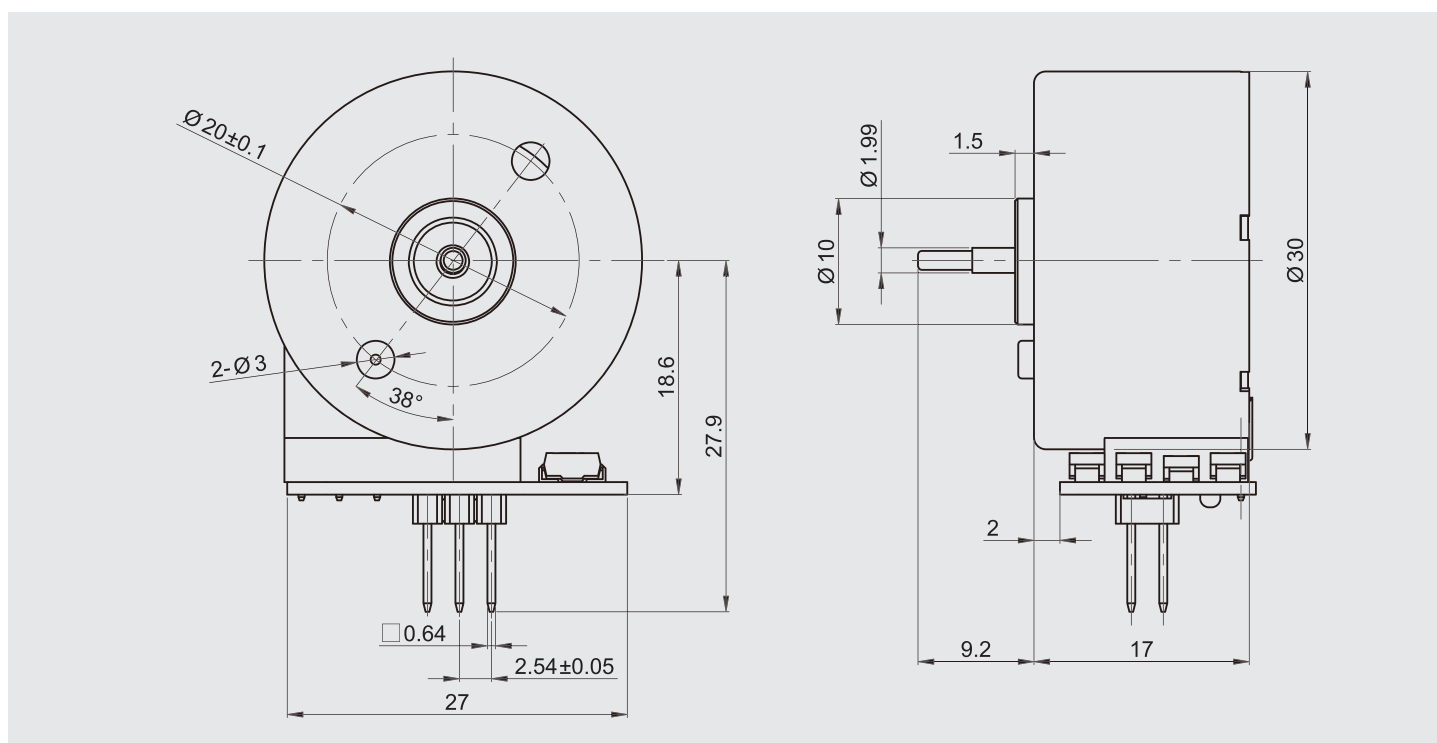
SUMMARY

Suitable for automobile air conditioning system.

USES

Surveillance Camera / Scanner / Gear Box

DIMENSIONS:



Item	2T3024
Standard voltage	13 V
Standard Current	145 mA / Phase
Number of phase	4 Phase
Step angles	15° / Step
Excitation	2-2 Unipolar
pull-out torque	57 g-cm or more / 200pps
pull-in torque	50 g-cm or more / 200pps
Holding torque	70 g-cm or more
Resistance per phase	90 Ω
Max pull-out pulse rate	450 pps or more
Max pull-in pulse rate	330 pps or more

CHARACTERISTICS:

