

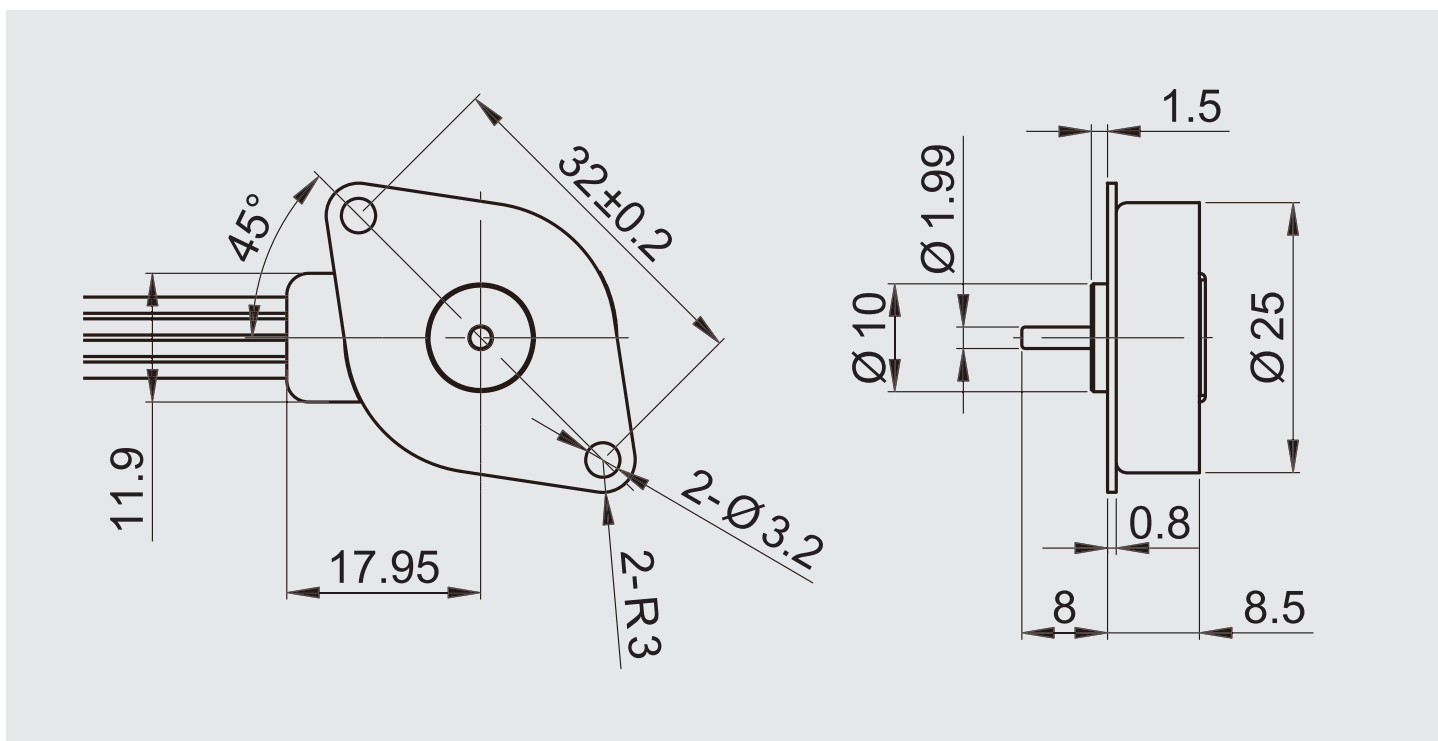
SUMMARY

Especially for products that are required for high resolution and also can suitable for small printer.

USES

IP Camera / Video Camera / Surveillance Camera / CD or DVD Drive / Scanner / Label Printer

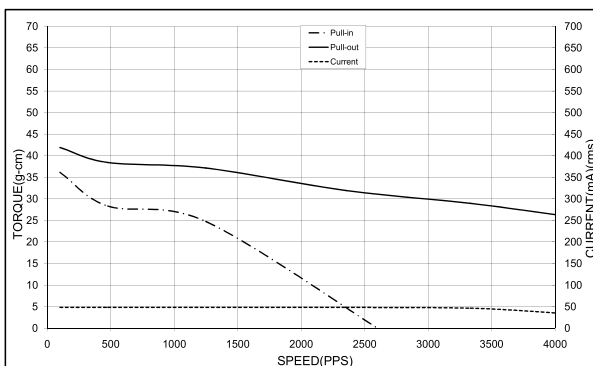
DIMENSIONS:



Item	2T2542	
Standard voltage	12 V	12 V
Standard Current	125 mA / Phase	250 mA / Phase
Number of phase	4 phase	4 phase
Step angles	3.75° / Step	3.75° / Step
Excitation	1-2 Bipolar	2-2 Bipolar
pull-out torque	32 g-cm or more / 1250 pps	83 g-cm or more / 500 pps
pull-in torque	25 g-cm or more / 800 pps	80 g-cm or more / 500 pps
Holding torque	45 g-cm or more	105 g-cm or more
Resistance per phase	25 Ω	16.5 Ω
Max pull-out pulse rate	7600 pps or more	10000 pps or more
Max pull-in pulse rate	2200 pps or more	1140 pps or more

CHARACTERISTICS:

12 V



12 V

