



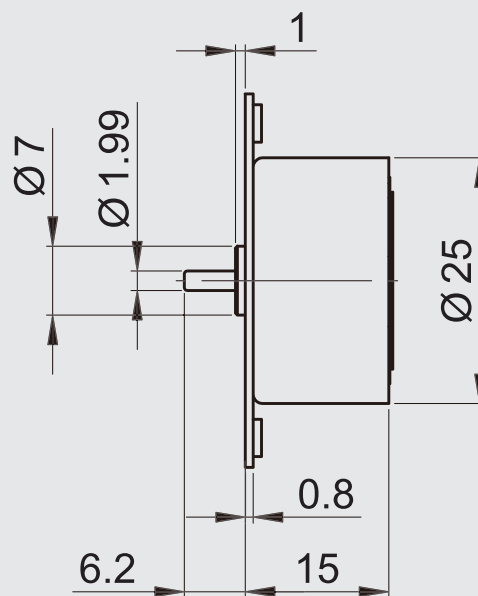
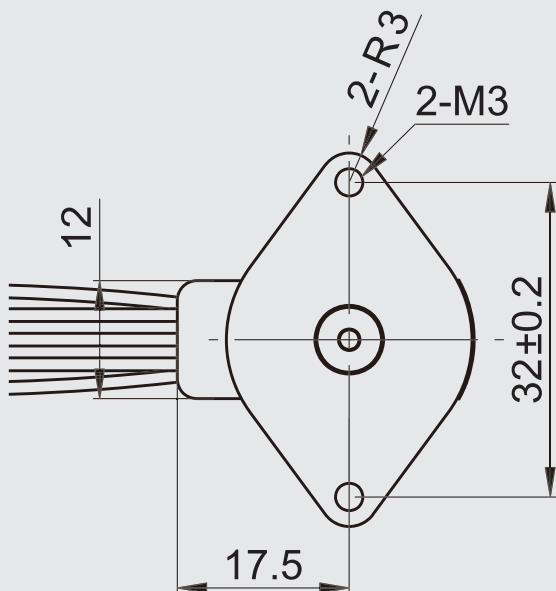
SUMMARY

7.5° step angles which suitable for small Scanner.

USES

Surveillance Camera / Scanner / Label Printer

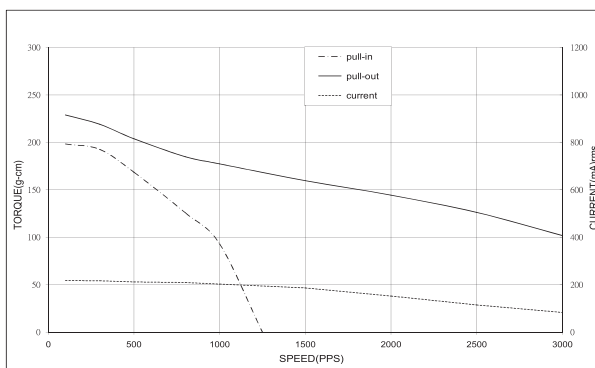
DIMENSIONS:



Item	2T2534	
Standard voltage	24 V	34 V
Standard Current	350 mA / Phase	300 mA / Phase
Number of phase	4 phase	4 phase
Step angles	7.5° / Step	7.5° / Step
Excitation	2-2 Bipolar	1-2 Bipolar
pull-out torque	154 g-cm or more / 1000 pps	206 g-cm or more / 300 pps
pull-in torque	169 g-cm or more / 100 pps	200 g-cm or more / 300 pps
Holding torque	240 g-cm or more	270 g-cm or more
Resistance per phase	10 Ω	15.3 Ω
Max pull-out pulse rate	5000 pps or more	5000 pps or more
Max pull-in pulse rate	1100 pps or more	1000 pps or more

CHARACTERISTICS:

24 V



34 V

