



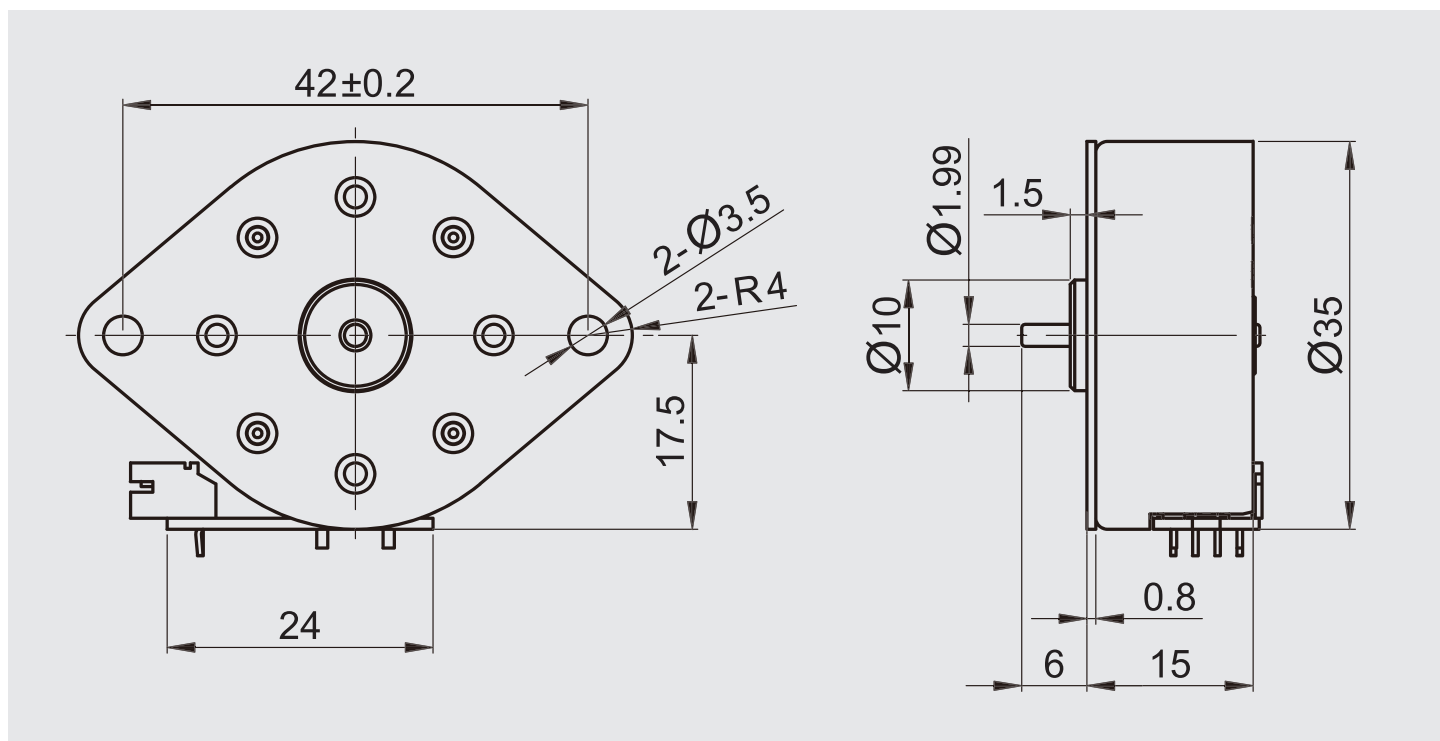
SUMMARY

Suitable for Auto document feeder(ADF).

USES

Surveillance Camera / Scanner / Printer

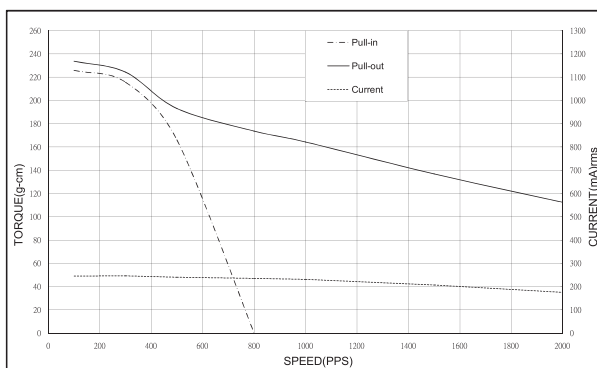
DIMENSIONS:



Item	2T35X3	
Standard voltage	24 V	24 V
Standard Current	390 mA / Phase	600 mA / Phase
Number of phase	2 phase	4 phase
Step angles	3.75° / Step	7.5° / Step
Excitation	2-2 Bipolar	2-2 Bipolar
pull-out torque	110 g-cm or more / 1600 pps	450 g-cm or more / 590 pps
pull-in torque	180 g-cm or more / 400 pps	400 g-cm or more / 590 pps
Holding torque	240 g-cm or more	700 g-cm or more
Resistance per phase	10.9 Ω	12.4 Ω
Max pull-out pulse rate	10000 pps or more	1100 pps or more
Max pull-in pulse rate	680 pps or more	840 pps or more

CHARACTERISTICS:

24 V



24 V

