

## SUMMARY

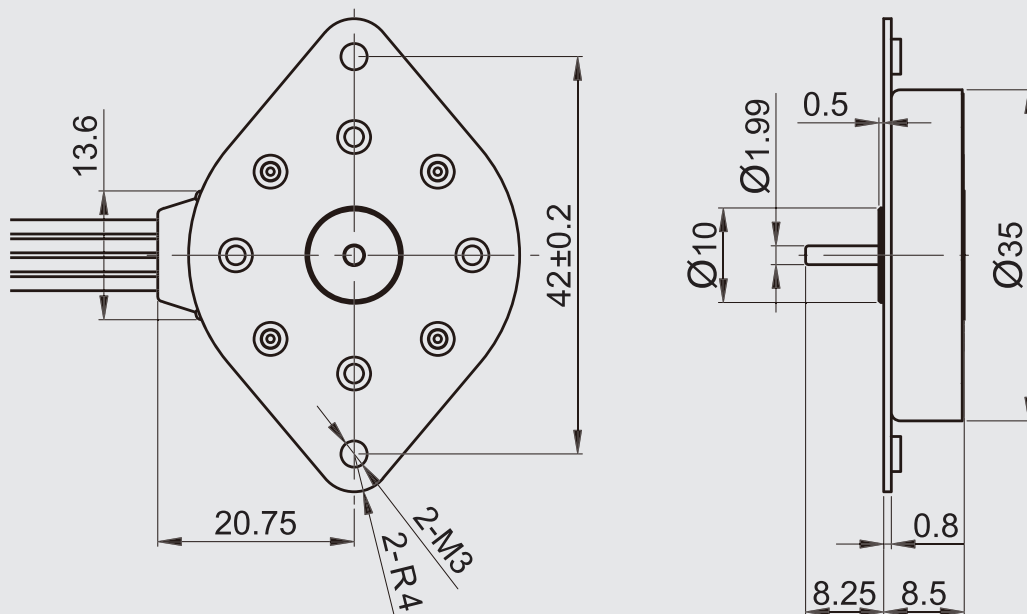
Suite for products which are required for high resolution.

The most common motors model in Scanner.

## USES

Video Camera/ Surveillance Camera / Scanner

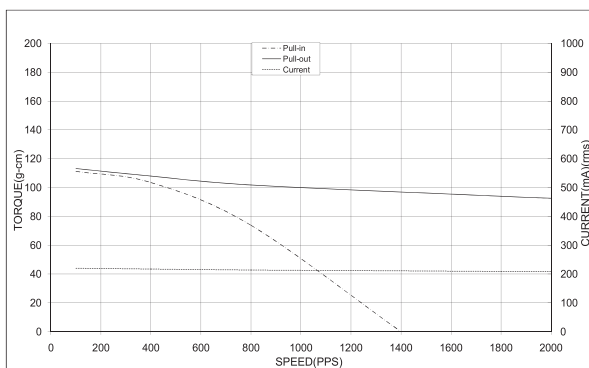
## DIMENSIONS:



Item	2T35X2	
Standard voltage	24 V	24 V
Standard Current	300 mA / Phase	520 mA / Phase
Number of phase	4 phase	4 phase
Step angles	3.75° / Step	3.75° / Step
Excitation	2-2 Bipolar	W 1-2 Bipolar
pull-out torque	79 g-cm or more / 1800 pps	62 g-cm or more / 25200 pps
pull-in torque	65 g-cm or more / 800 pps	84 g-cm or more / 2400 pps
Holding torque	115 g-cm or more	130 g-cm or more
Resistance per phase	8.3 Ω	6.4 Ω
Max pull-out pulse rate	5000 pps or more	34000 pps or more
Max pull-in pulse rate	1275 pps or more	4080 pps or more

## CHARACTERISTICS:

24 V



24 V

