

SCREWLESS TYPE TERMINAL BLOCK

UL pending
TUV pending

ETBV50 SERIES

SCREWLESS TYPE

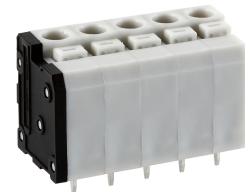
PITCH=5.0 / 10.0mm

FEATURES

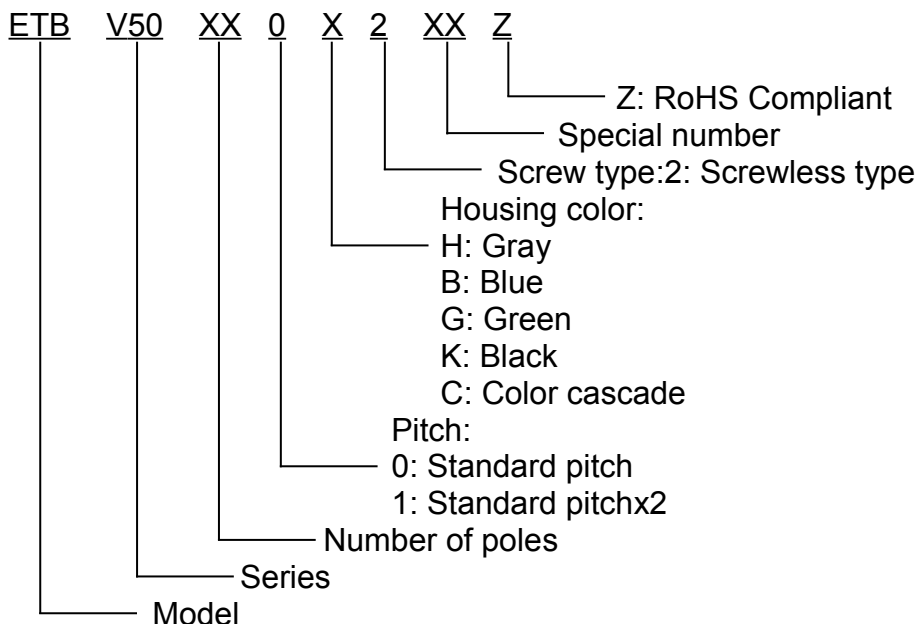
- Easy to assemble for any number of positions
- Horizontal conductor entry compact size for P.C.B.
- UL 94V-0 grade fire retardant engineering plastic used for the housing
- Be capable of clamping a wide range of wire diameters
- Screwless design can reduce time for connecting wire

SPECIFICATIONS

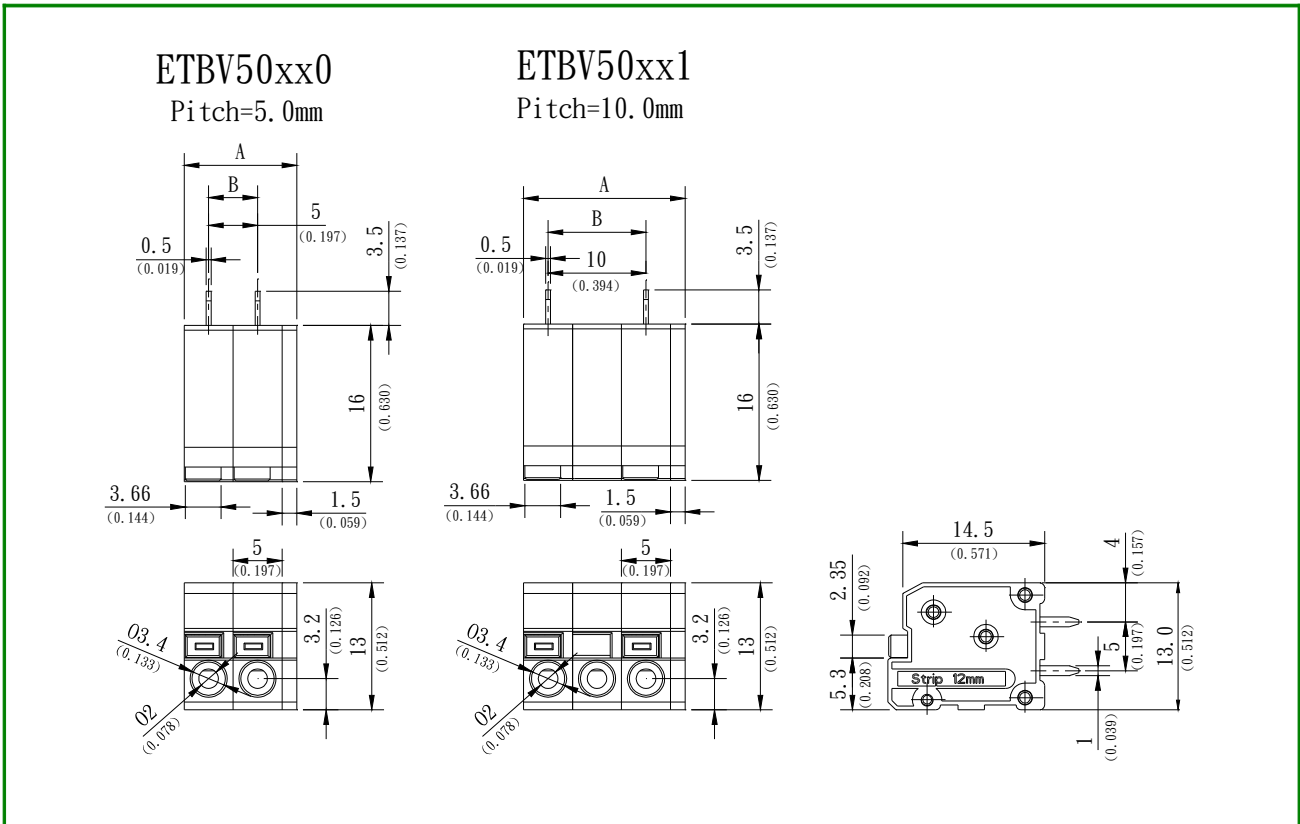
- Pitch 5.0mm, 10.0mm
- Wire range 26~14 AWG
- No. of pole per block 2P to 24P
- Rating 10 Amp, 300 VAC
- Housing PA66
- Terminals Tin plated over Copper Alloy
- Springs Stainless Steel
- Push button PA66
- Operating temperature -30°C~+110°C
(includes temperature rise limit)
- Stripping length 12mm
- UL Approval 300V, 10A, 26~14 AWG
- TUV Approval 250V, 0.34~0.75mm²



PART NUMBERING SYSTEM



■ DRAWING



PITCH=5.0mm

POLE DIM.	2	3	4	5	6	7	8	9	10	11	12	13
A	11.5 (0.453)	16.5 (0.650)	21.5 (0.846)	26.5 (1.043)	31.5 (1.240)	36.5 (1.437)	41.5 (1.634)	46.5 (1.831)	51.5 (2.028)	56.5 (2.224)	61.5 (2.421)	66.5 (2.618)
B	5 (0.197)	10 (0.394)	15 (0.591)	20 (0.787)	25 (0.984)	30 (1.181)	35 (1.378)	40 (1.575)	45 (1.772)	50 (1.969)	55 (2.165)	60 (2.362)
POLE DIM.	14	15	16	17	18	19	20	21	22	23	24	
A	71.5 (2.815)	76.5 (3.012)	81.5 (3.209)	86.5 (3.406)	91.5 (3.602)	96.5 (3.799)	101.5 (3.996)	106.5 (4.193)	111.5 (4.390)	116.5 (4.587)	121.5 (4.783)	
B	65 (2.559)	70 (2.756)	75 (2.953)	80 (3.150)	85 (3.349)	90 (3.546)	95 (3.743)	100 (3.94)	105 (4.137)	110 (4.334)	115 (4.531)	

PITCH=10.0mm

POLE DIM.	2	3	4	5	6	7	8	9	10	11	12
A	16.5 (0.650)	26.5 (1.043)	36.5 (1.437)	46.5 (1.831)	56.5 (2.224)	66.5 (2.618)	76.5 (3.012)	86.5 (3.406)	96.5 (3.799)	106.5 (4.193)	116.5 (4.587)
B	10 (0.197)	20 (0.787)	30 (1.181)	40 (1.575)	50 (1.969)	60 (2.362)	70 (2.756)	80 (3.150)	90 (3.546)	100 (3.94)	110 (4.334)