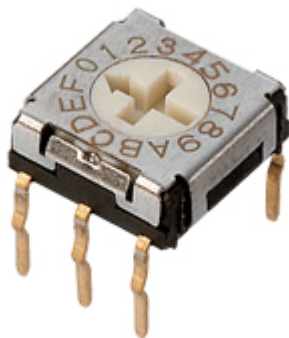


ERD7 SERIES

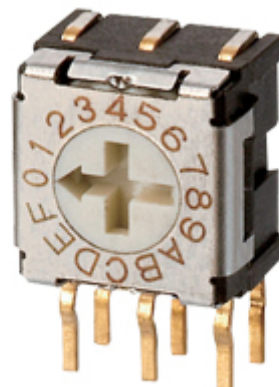
MINIATURE SIZE 7×3 ROTARY SWITCH



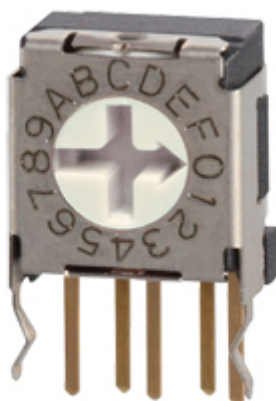
SMT



Through hole reflow (THR)
Through hole (TH)



Right Angle (RA)



Right Angle (RA)
Through hole (TH)



Right Angle (RA)
SMT



J-hook
SMT

FEATURES

- Low profile of 3.0mm.
- THR (Through Hole Reflow) version available.
- Available with spindle or slotted spindle.
- Supply various switch codes, include Gray code, Reel and Complement code.
- Gold plated contact area ensures reliable electric continuity for micro current.
- Surface mounting type can be supplied in embossed taping for automatic packing.
- Pin-out is compatible with most of current equivalents.
- All plastics are UL 94V-0 grade fire retardant.
- RoHS Compliant

APPLICATIONS

- Address switching applications
- Data storage devices
- Computer and peripherals
- Instrumentation



■ SPECIFICATIONS

1.ELECTRICAL

● Contact rating	Max. switching load	100mA, 5VDC
	Min. switching load	10μA, 5VDC
● Contact resistance (initial)		200mΩ Max.
● Insulation resistance		100mΩ Min. at 100VDC
● Dielectric strength		250VAC rms. for 60 seconds

2.MECHANICAL and ENVIRONMENTAL

● Temperature rating	operation	-40°C to +85°C
	storage	-40°C to +85°C
● Operation force		510gf-cm Max.
● Operation life		10,000 detents Min.
● Vibration		10Hz-55Hz-10Hz for 6Hrs.
● Solderability		After flux 245°C±5°C for 5±1 seconds
● Resistance to soldering heat	solder bath	260±5°C for 5±1 seconds
	solder reflow	Peak temperature 260°C Max.

3.SOLDERING PROCESS

● Solder iron	Max. 2 sec / 350°C
● Reflow soldering heat for SMT type (reference only)	<p>The graph shows a reflow soldering temperature profile. The y-axis is Temperature (°C) with markers at 150, 180, 220, and 245. The x-axis is Time (sec). The curve starts at a low temperature, rises to 150°C, then to 180°C. A horizontal line at 180°C is labeled '120-150 sec'. The curve then rises to a peak of 245°C, which is labeled 'Max. 245°C'. A horizontal line at 220°C is labeled '220°C'. The peak is labeled '20 sec Max.'. The curve then falls back to a low temperature.</p>

CODE

Real / Complement Code

PIN NO.	POSITIONS															
	0	1	2	3	4	5	6	7	8	9	A	B	C	D	E	F
1	○	●	○	●	○	●	○	●	○	●	○	●	○	●	○	●
2	○	○	●	●	○	○	●	●	○	○	●	●	○	○	●	●
4	○	○	○	○	●	●	●	●	○	○	○	○	●	●	●	●
8	○	○	○	○	○	○	○	○	○	●	●	●	●	●	●	●

●.....Real Code

○.....Complement Code

Gray Code

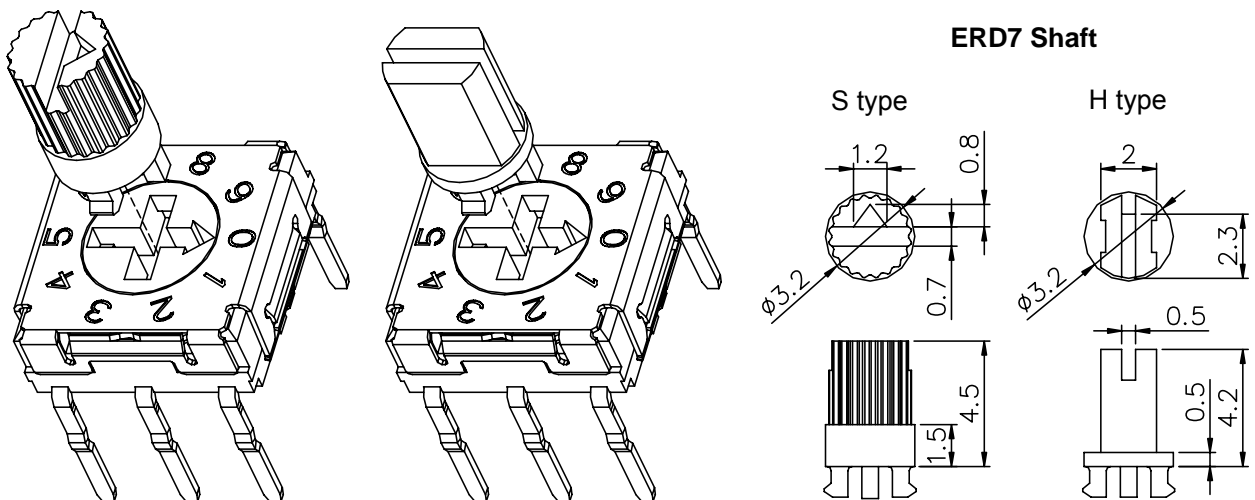
PIN NO.	POSITIONS															
	0	1	2	3	4	5	6	7	8	9	A	B	C	D	E	F
1		●	●			●	●			●	●			●	●	
2			●	●	●	●					●	●	●	●		
4					●	●	●	●	●	●	●	●				
8									●	●	●	●	●	●	●	●

●.....Gray Code

OPTIONS

1.Special marking available

2.Shaft available (for cross shaped slot type only) 418-90500(S type)
418-90900(H type)



■ PART NUMBERING SYSTEM

ERD7 08 A S XX Z

Z: RoHS Compliant

Special number:

None: Center Common terminal pins location (3:3 pin out)

Center Output "8" terminal pin location (3:2, 5:0 pin out)

06: Side Common terminal pins location (3:3 pin out)

Center Output "1" terminal pin location (3:2, 5:0 pin out)

S: Spindle

H: Slotted spindle

Setting:

S: Standard type with row spacing 7.62mm

F: Right Angle type with row spacing 5.08mm

R: Right Angle type with row spacing 2.54mm

H: Right Angle type with row spacing 1.27mm

M: Surface Mounting type

D: "M" type in Tape & Reel Package

J: Right Angle with Surface Mounting type and side support terminal

T: "J" type in Tape & Reel Package

L: Right Angle with Surface Mounting type and forward support terminal

U: "L" type in Tape & Reel Package

C: J-hook with Surface Mounting type

E: "C" type in Tape & Reel Package

Code:

R: Real code / Arrow shaped slot type

A: Real code / Cross shaped slot type

C: Complement code / Arrow shaped slot type

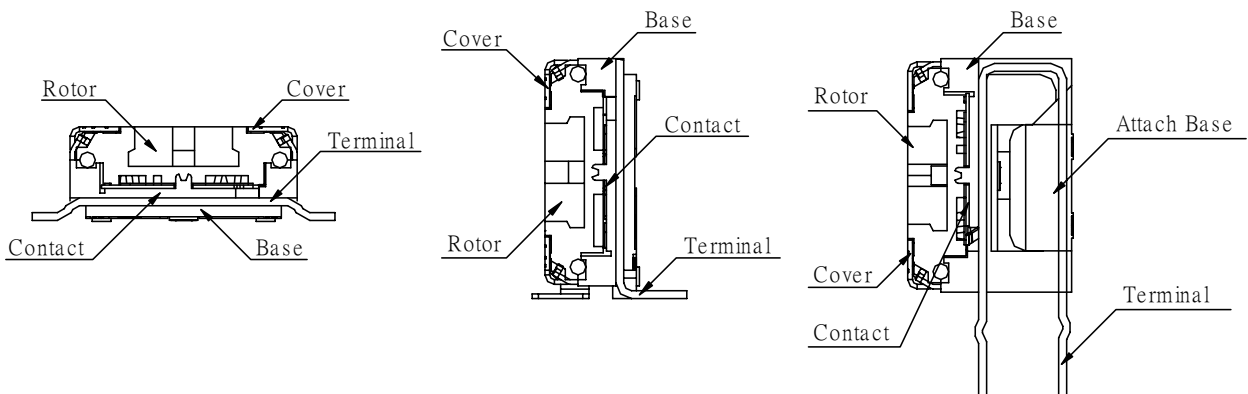
B: Complement code / Cross shaped slot type

G: Gray code / Cross shaped slot type

Number of Positions: 8, 10, 16

Series name: ERD7: Miniature size (7.2×7.2mm²) Rotary DIP Switch

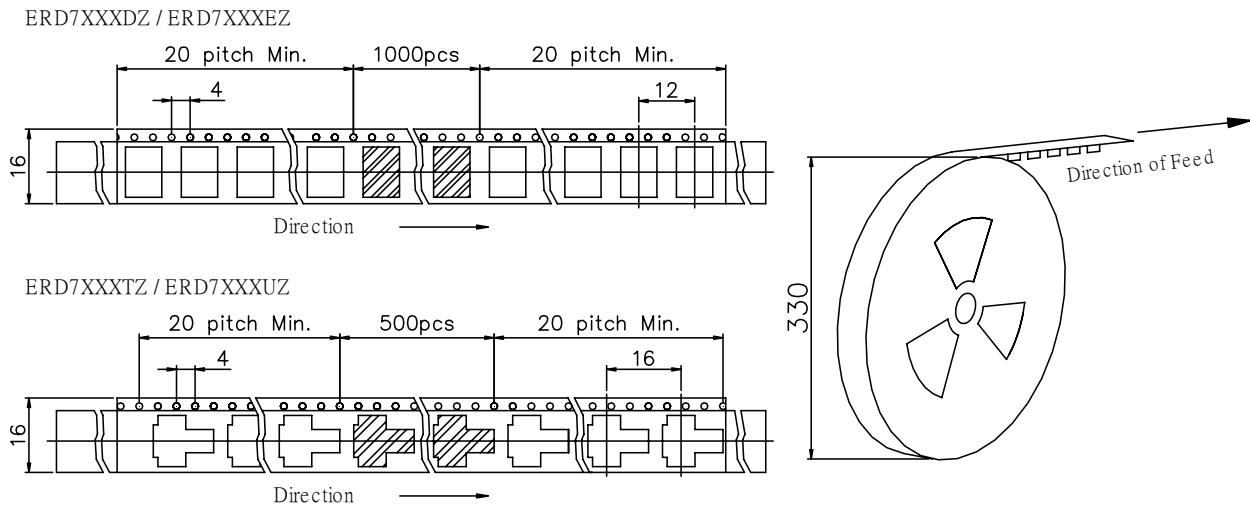
■ CONSTRUCTION



PACKING

1.PACKING METHOD

Type	Package	Number of pcs. Per IC Tube	Number of pcs. Per Reel
Top Adjust Type		70	1000
Side Adjust Type		70	500

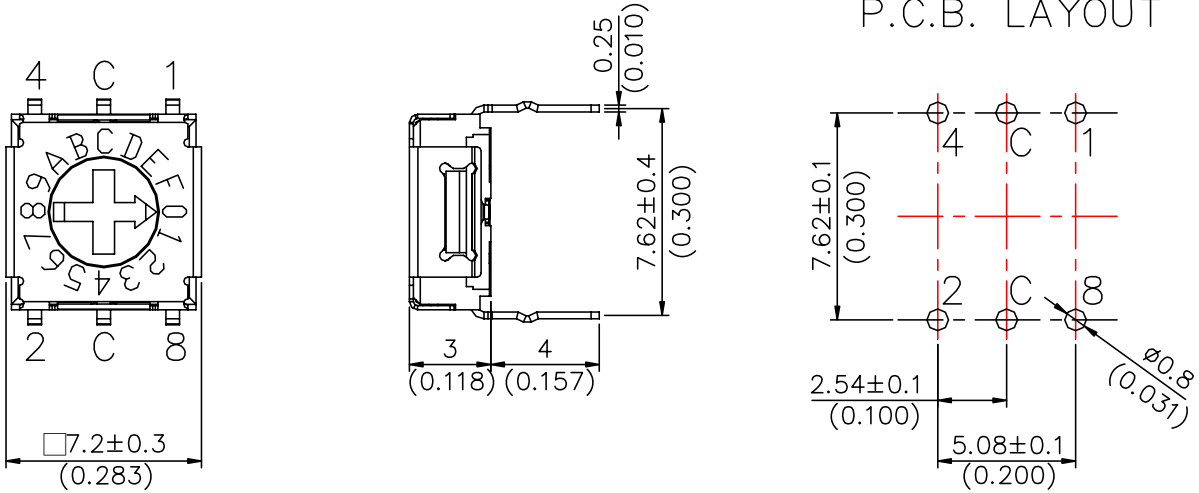


QUICK SELECTION GUIDE

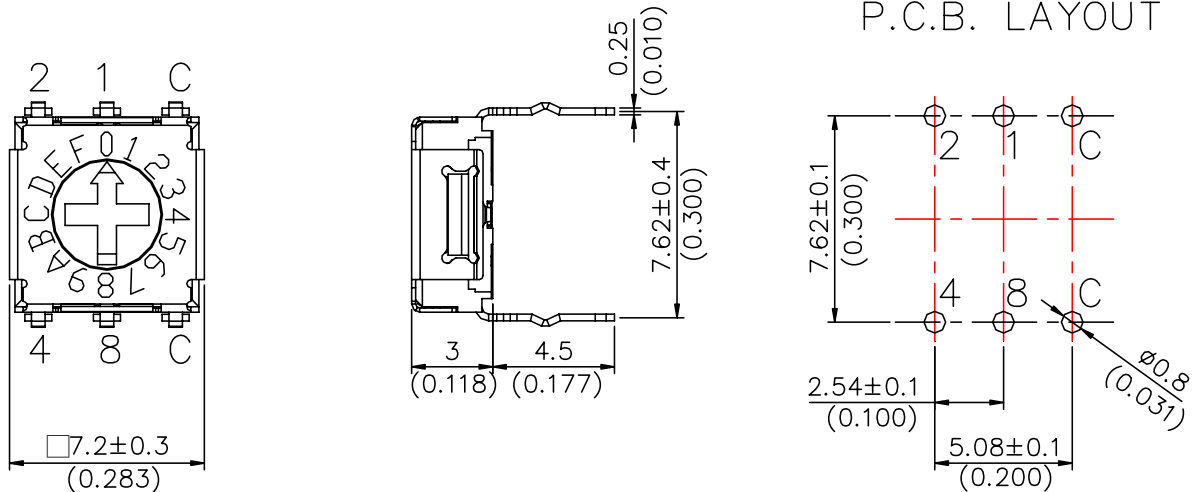
SIZE	POSITIONS	CODE	SETTING POSITION	PIN OUT	SHAPE OF TERMINAL	PART NUMBER
7×7	8,10,16	REAL COMPLEMENT GRAY	TOP SETTING	3:3	STANDARD	ERD7XXXSZ
					SMT	ERD7XXXMZ
					SMT IN T&R	ERD7XXXDZ
					J-HOOK WITH SMT	ERD7XXXCZ
					J-HOOK WITH SMT IN T&R	ERD7XXXEZ
			SIDE SETTING	3:3	RIGHT ANGLE	ERD7XXXRZ ERD7XXXFZ
				3:2	RIGHT ANGLE	ERD7XXXHZ
				5:0	RIGHT ANGLE WITH SMT	ERD7XXXJZ ERD7XXXLZ
					RIGHT ANGLE WITH SMT IN T&R	ERD7XXXTZ ERD7XXXUZ

DIMENSIONS AND CIRCUITRY

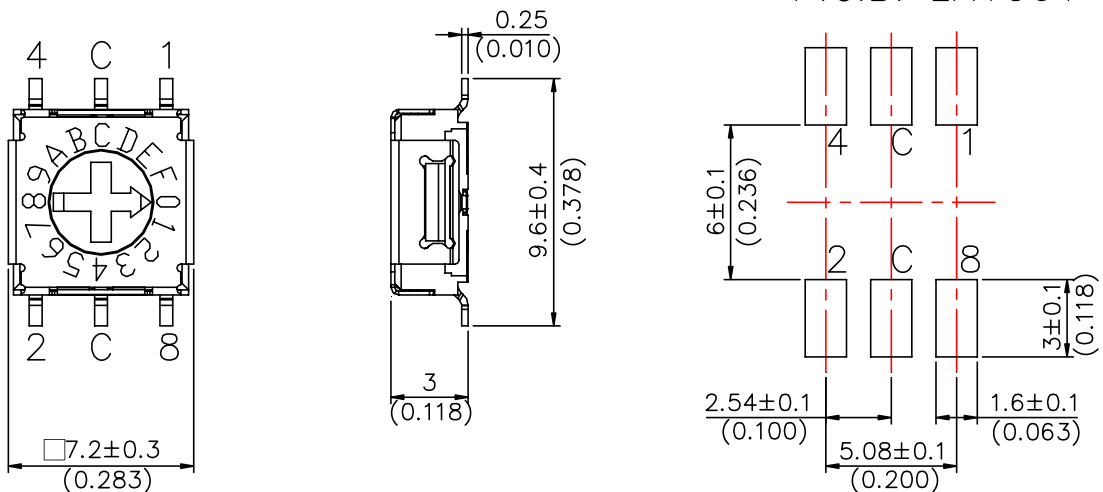
ERD7XXSZ SERIES



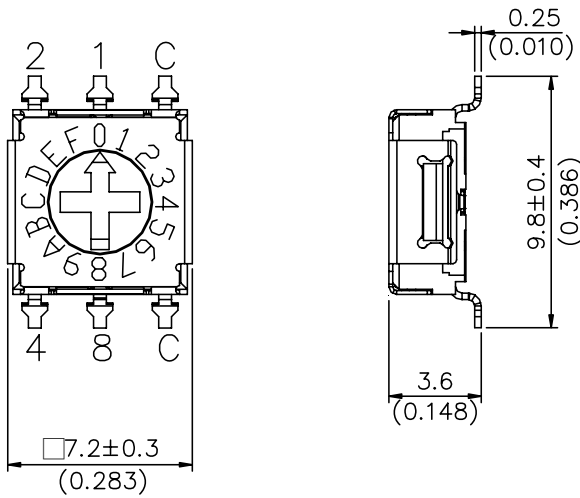
ERD7XXS06Z SERIES



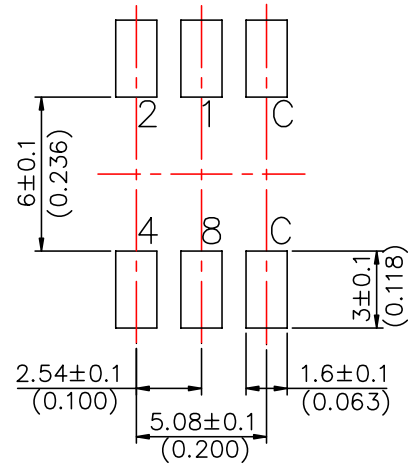
ERD7XXMZ SERIES



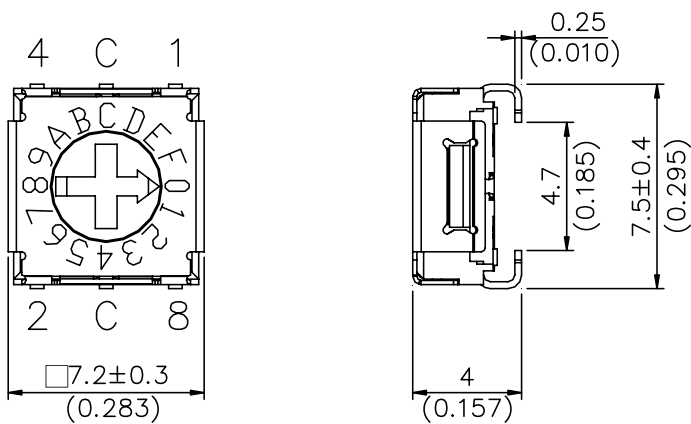
ERD7XXXM06Z SERIES



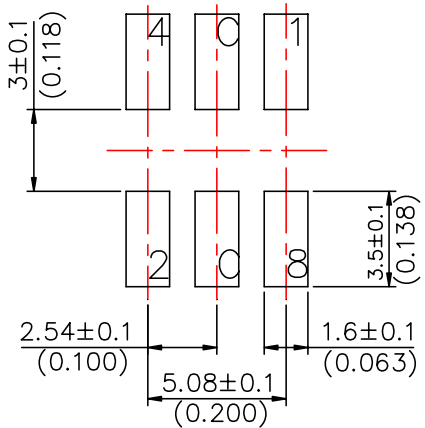
P.C.B. LAYOUT



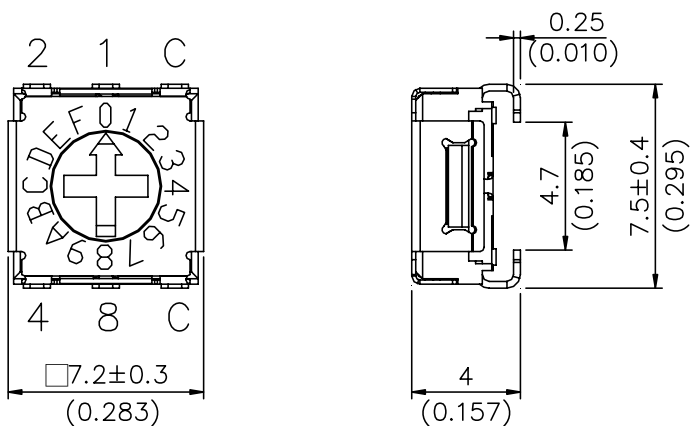
ERD7XXXCZ SERIES



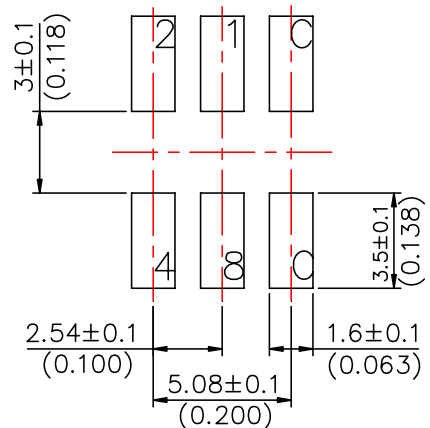
P.C.B. LAYOUT



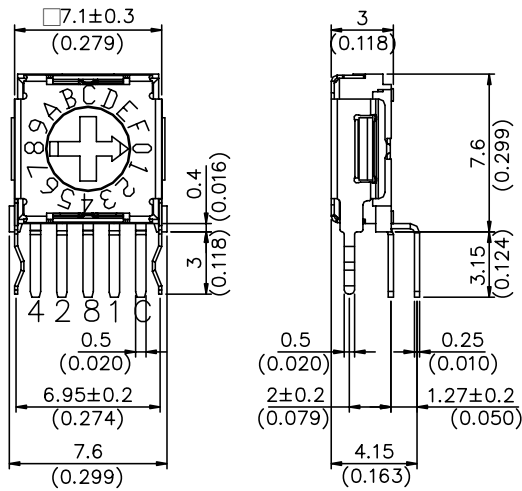
ERD7XXXC06Z SERIES



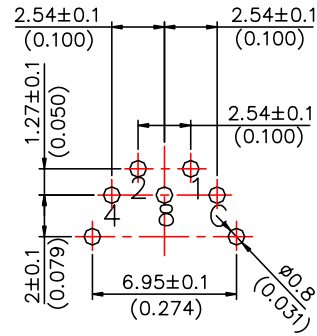
P.C.B. LAYOUT



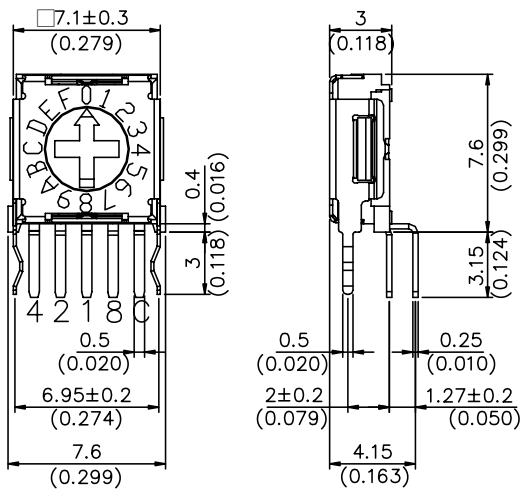
ERD7XXXHZ SERIES



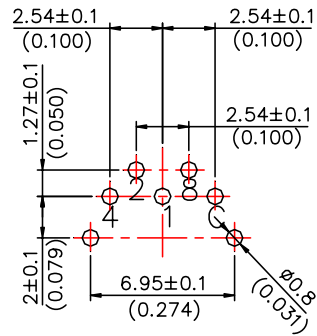
P.C.B. LAYOUT



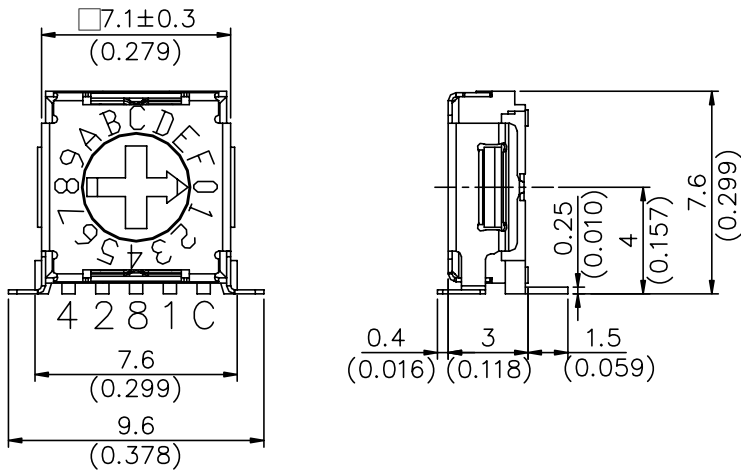
ERD7XXXH06Z SERIES



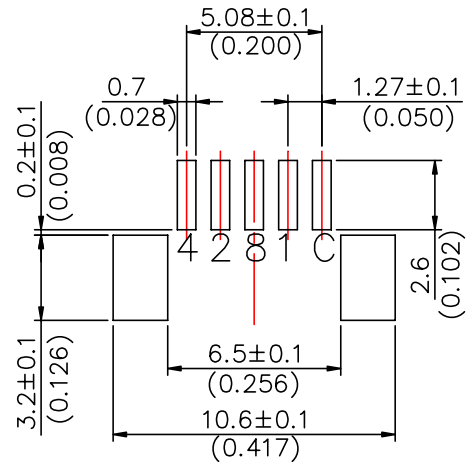
P.C.B. LAYOUT



ERD7XXXJZ SERIES

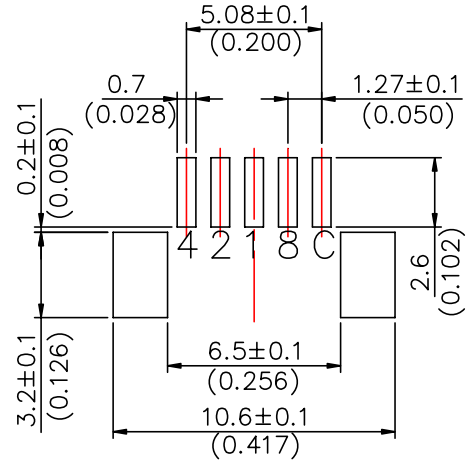
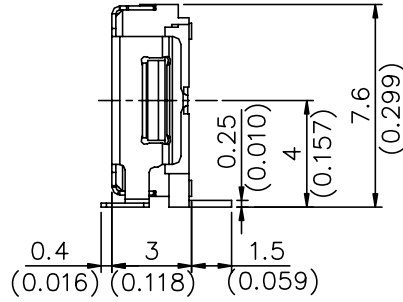
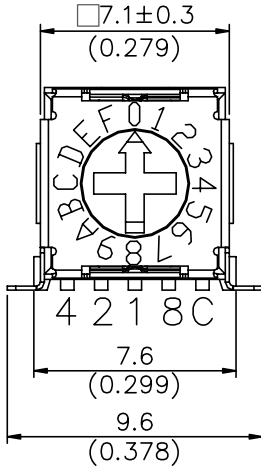


P.C.B. LAYOUT



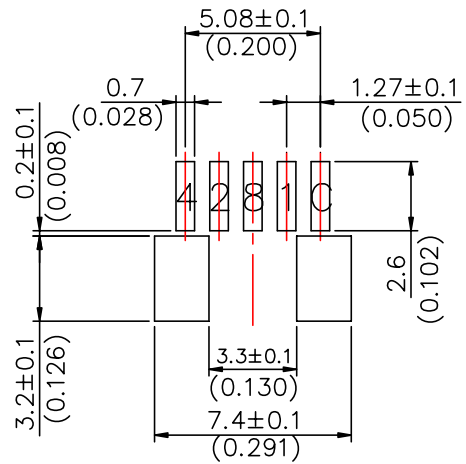
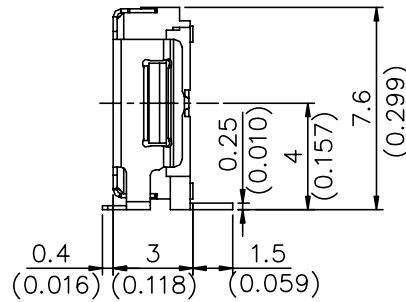
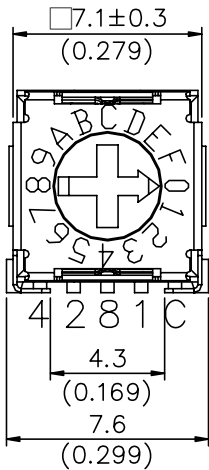
ERD7XXXJ06Z SERIES

P.C.B. LAYOUT



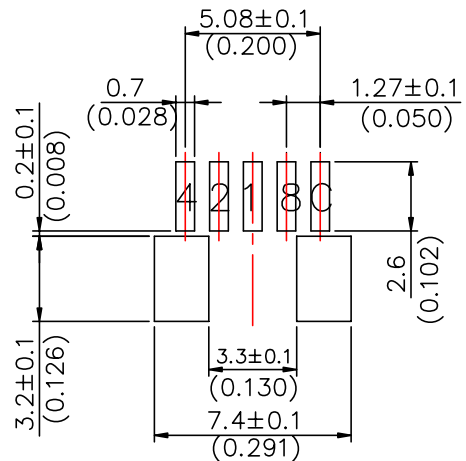
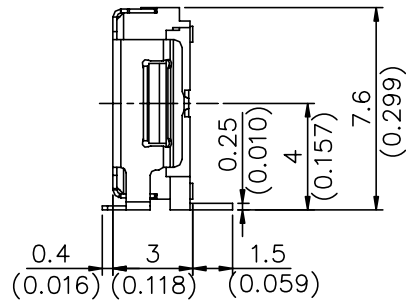
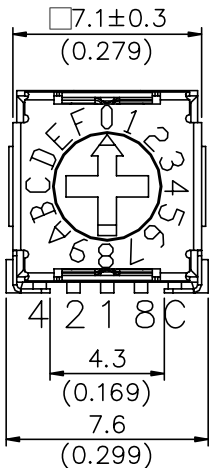
ERD7XXXLZ SERIES

P.C.B. LAYOUT

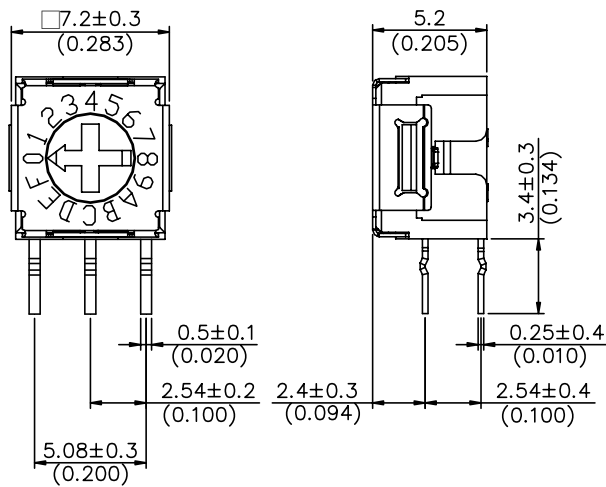


ERD7XXXL06Z SERIES

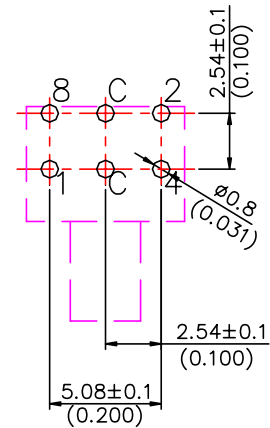
P.C.B. LAYOUT



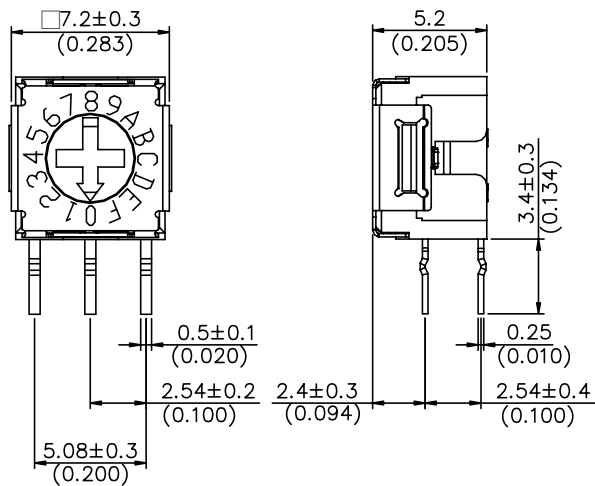
ERD7XXXRZ SERIES



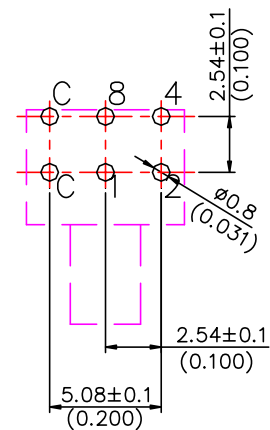
P.C.B. LAYOUT



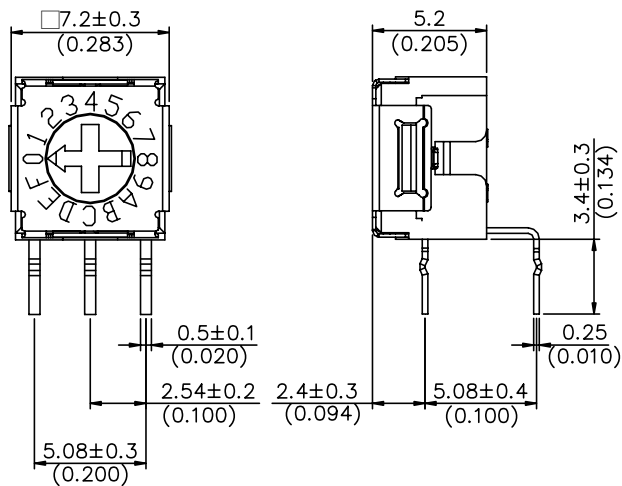
ERD7XXR06Z SERIES



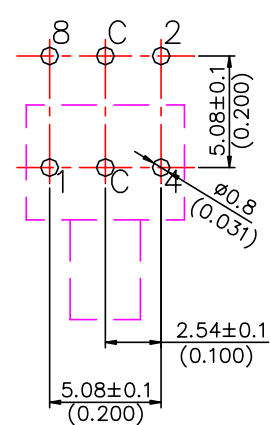
P.C.B. LAYOUT



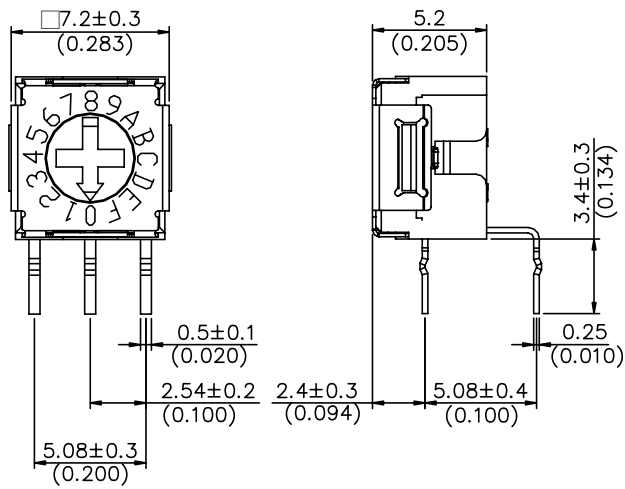
ERD7XXXFZ SERIES



P.C.B. LAYOUT



ERD7XXXF06Z SERIES



P.C.B. LAYOUT

