

EUROSTYLE P.C.B. TERMINAL BLOCK

UL pending

ETB1A-THT SERIES

WIRE PROTECTOR TYPE

PITCH=5.0/10.0mm

FEATURES

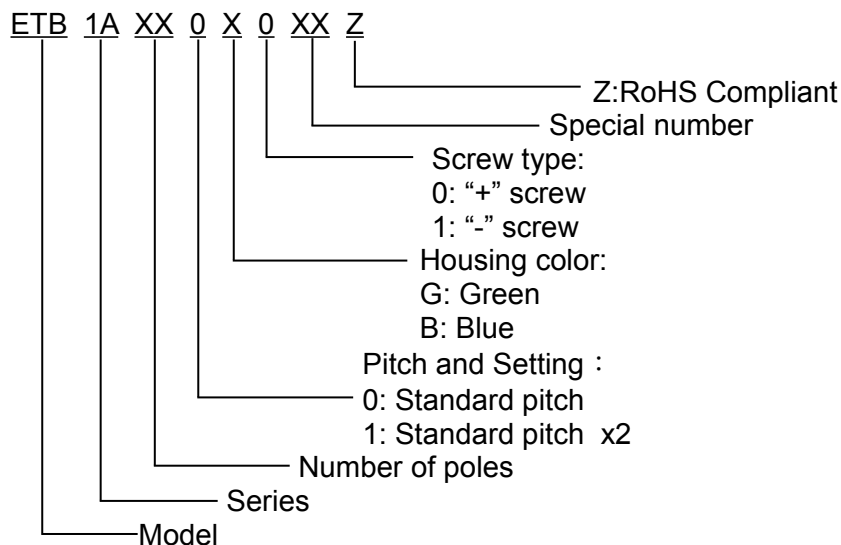
- Easy to assemble for any number of positions
- End stackable without any loss of P.C.B. space
- Special wire protector design to ensure reliable wire clamping
- UL 94V-0 grade fire retardant engineering plastic
- Be capable of clamping a wide range of wire diameters
- Compact size for P.C.B.

SPECIFICATIONS

- Pitch 5.0mm
- Wire range 22~14 AWG
- No. of pole per block 2P or 3P or 4P
- Rating 10 Amp, 300 VAC
- Housing PA66
- Terminals Tin plated over Copper Alloy
- Screws M2.6x0.45P, Zinc plated over Steel
- Wire protector Stainless Steel
- Torque 0.25N-m(2.18 lb-in) Max.
(tested by manual torque screwdriver)
- Operating temperature -30°C~+115°C
(includes temperature rise limit)
- Stripping length 6mm
- UL pending 300V,10A,22~14AWG



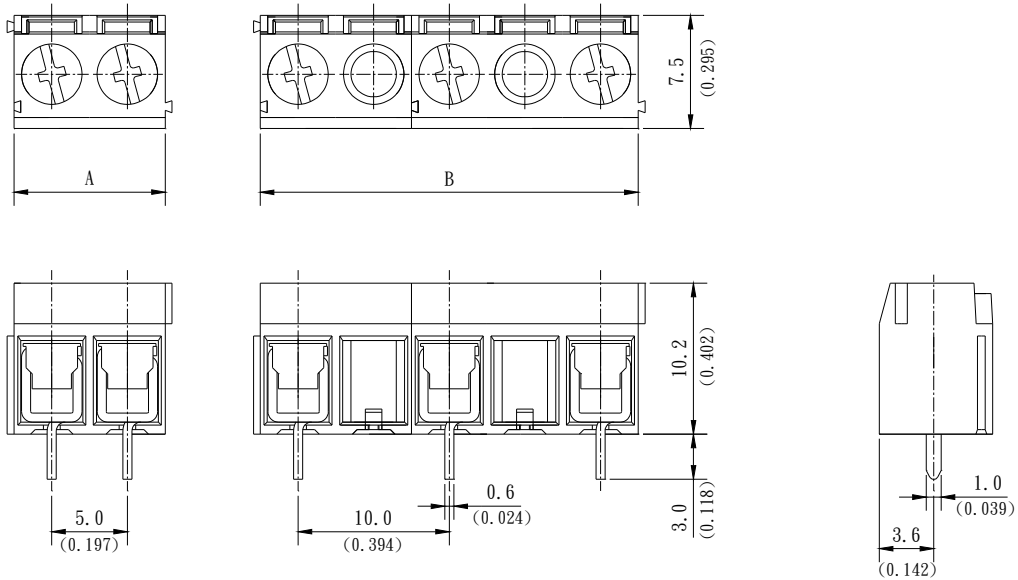
PART NUMBERING SYSTEM



■ DRAWING

ETB1A020xxxxZ
Pitch=5.0mm

ETB1A031xxxxZ
Pitch=10.0mm



POLE DIM.	2	3	4	5	6	7	8	9	10	11	12
A	10 (0.394)	15 (0.591)	20 (0.787)	25 (0.984)	30 (1.181)	35 (1.378)	40 (1.575)	45 (1.772)	50 (1.969)	55 (2.165)	60 (2.362)
POLE DIM.	13	14	15	16	17	18					
A	65 (2.559)	70 (2.756)	75 (2.953)	80 (3.150)	85 (3.346)	90 (3.543)					