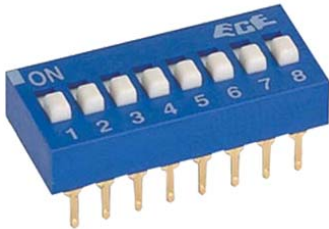
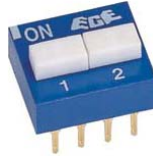


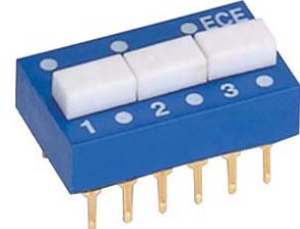
## EDG/EDS SERIES SLIDE TYPE



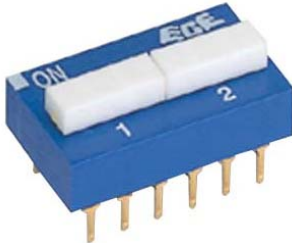
**EDG/EDS SPST**



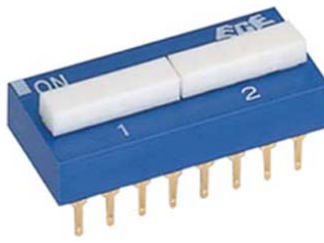
**EDG/EDS DPST**



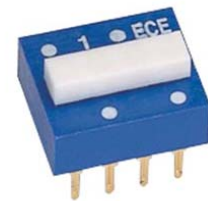
**EDG/EDS SPDT**



**EDG/EDS 3PST**



**EDG/EDS 4PST**



**EDG/EDS DPDT**

## ■ FEATURES

- Tactile response is performed directly by larger contact pressure to ensure very stable contact.
- All plastics are UL 94V-0 grade fire retardant.
- Bottom epoxy sealed standard to ensure free of flux immersion during wave soldering.
- Contact wiping on make and break.
- Gold, Silver, or Tin plated contacts to ensure low contact resistance and long mechanical life.
- Ideal for data processing, communications, remote controls and burglar alarm system use, where manual programming is required.
- RoHS Compliant

## ■ APPLICATIONS

- Numerical setting for computer terminal equipment
- Price setting for vending machines
- Programming for game machines
- Programming for industrial equipment and measuring instruments



# Switch

## ■ SPECIFICATIONS

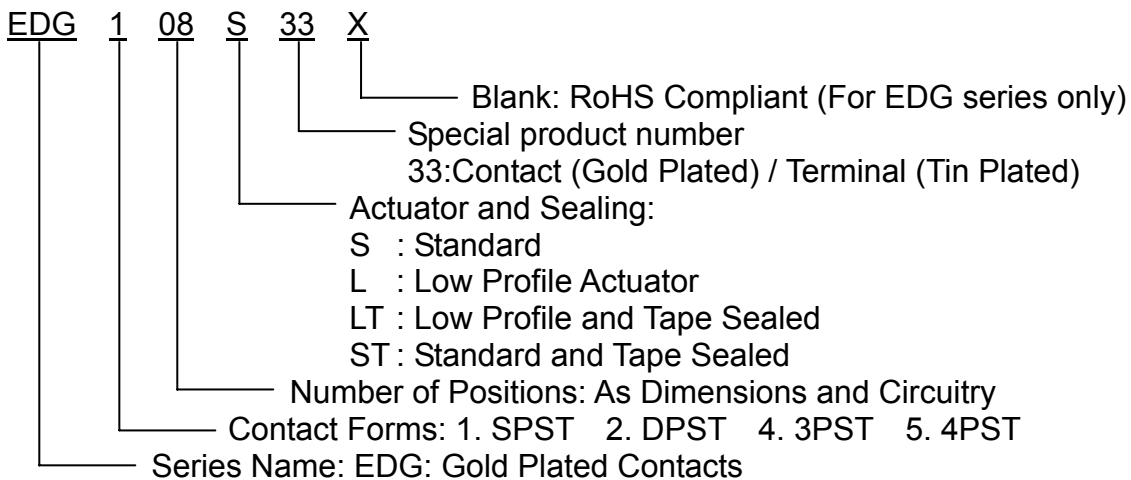
### 1.ELECTRICAL

|  |   |
|--|---|
| ● Contact rating                                 |   |
| switching  | 25mA, 24VDC                                 |
| non-switching                                    | 100mA                                       |
| ● Contact resistance                             |   |
| initial  | 50mΩ Max.                                   |
| after life test                                  | 100mΩ Max. (300mΩ Max. for Tin plated type) |
| ● Insulation resistance                          | 1000MΩ Min. at 100VDC                       |
| ● Dielectric strength                            | 500VDC Min. for 60 seconds                  |
| ● Capacitance between adjacent switches 5pF Max. |   |

### 2.MECHANICAL AND ENVIRONMENTAL

|                                |  |
|--------------------------------|--|
| ● Temperature rating           |  |
| operating                      | -40°C to + 85°C                                    |
| Storage                        | -40°C to + 85°C                                    |
| ● Operation force              | 800g Max. (SPST only)                              |
| ● Mechanical life              | 2000 operations                                    |
| ● Humidity                     | 95% RH, 40°C for 96 Hrs.                           |
| ● Vibration                    | 10Hz-55Hz-10Hz for 6 Hrs.                          |
| ● Solderability                | After flux 230±5°C for 5±0.5 seconds, 95% coverage |
| ● Resistance to soldering heat | 260±5°C for 5±1 seconds                            |

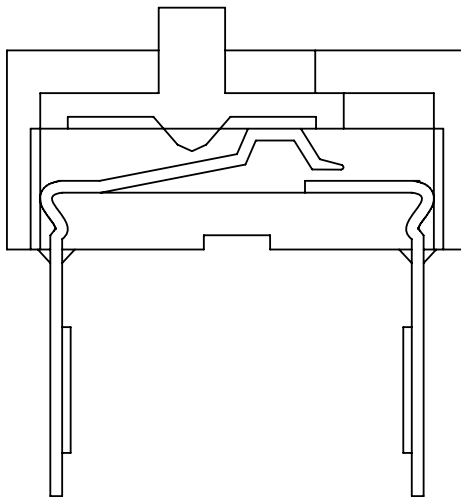
## ■ PART NUMBERING SYSTEM



EDS 1 08 S XX Z

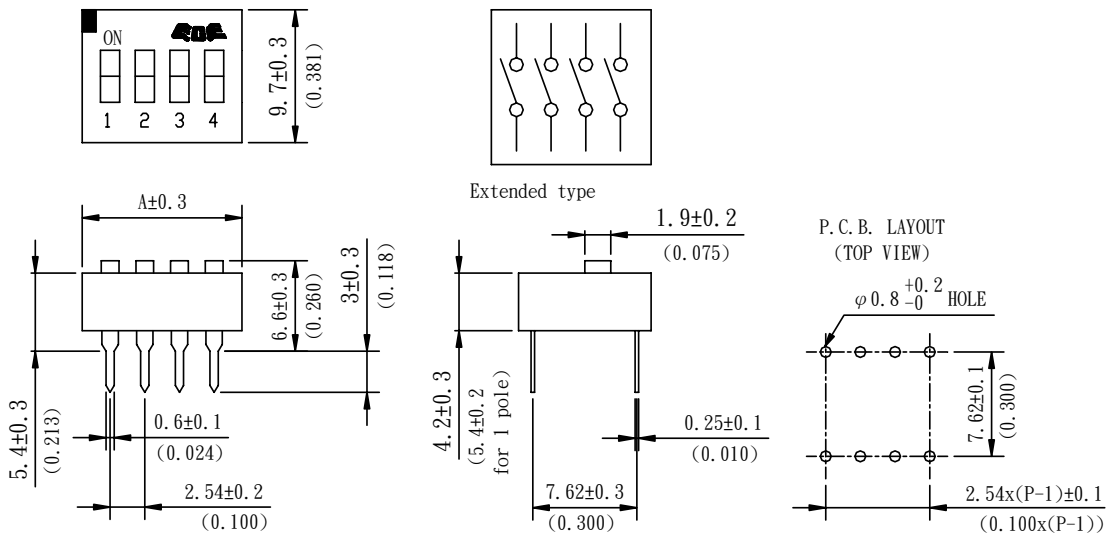
- Z: RoHS Compliant (For EDS series only)
- Special product number
- Actuator and Sealing:
  - S : Standard
  - L : Low Profile Actuator
  - LT : Low Profile and Tape Sealed
  - ST : Standard and Tape Sealed
- Number of Positions: As Dimensions and Circuitry
- Contact Forms: 1. SPST 2. DPST 3. SPDT  
4. 3PST 5. 4PST 6. DPDT
- Series Name: EDS: Silver or Tin Plated Contacts

## ■ CONSTRUCTION



## DIMENSIONS AND CIRCUITRY

### EDG/EDS SPST SERIES



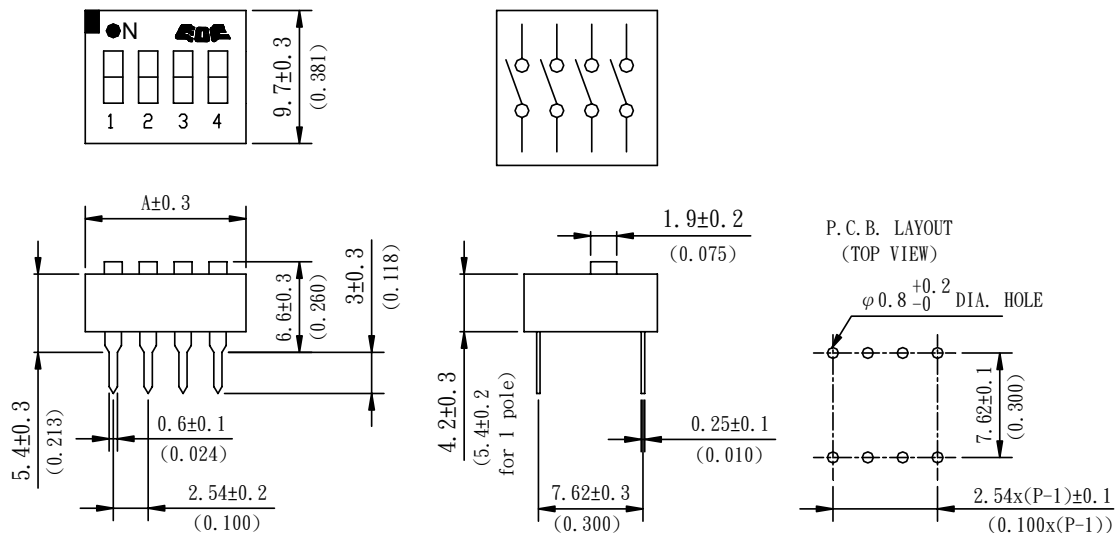
Dimension A

UNIT:mm(inch)

| Positions | 1               | 2              | 3              | 4               | 5               | 6               | 7               | 8               | 9               | 10              | 12              | 15              |
|-----------|-----------------|----------------|----------------|-----------------|-----------------|-----------------|-----------------|-----------------|-----------------|-----------------|-----------------|-----------------|
| A         | 3.9*<br>(0.154) | 6.7<br>(0.264) | 9.2<br>(0.362) | 11.7<br>(0.461) | 14.2<br>(0.559) | 16.7<br>(0.657) | 19.2<br>(0.756) | 21.7<br>(0.854) | 24.2<br>(0.953) | 26.7<br>(1.051) | 31.8<br>(1.252) | 39.5<br>(1.555) |

\* The dimensions of the 1 pole switch may vary slightly.

### EDG 33 SERIES(SPST)



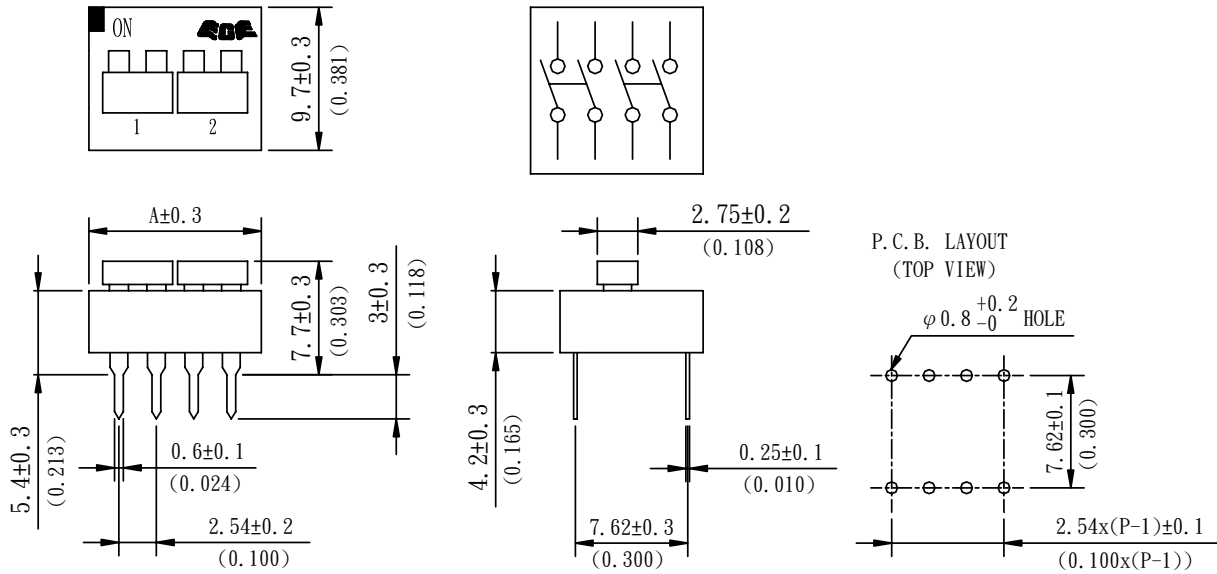
Dimension A

UNIT:mm(inch)

| Positions | 2              | 3              | 4               | 5               | 6               | 7               | 8               | 9               | 10              | 12              | 15              |
|-----------|----------------|----------------|-----------------|-----------------|-----------------|-----------------|-----------------|-----------------|-----------------|-----------------|-----------------|
| A         | 6.7<br>(0.264) | 9.2<br>(0.362) | 11.7<br>(0.461) | 14.2<br>(0.559) | 16.7<br>(0.657) | 19.2<br>(0.756) | 21.7<br>(0.854) | 24.2<br>(0.953) | 26.7<br>(1.051) | 31.8<br>(1.252) | 39.5<br>(1.555) |

Remark: 2&3 position switches don't have the "ECE" Mark.

## EDG/EDS DPST SERIES

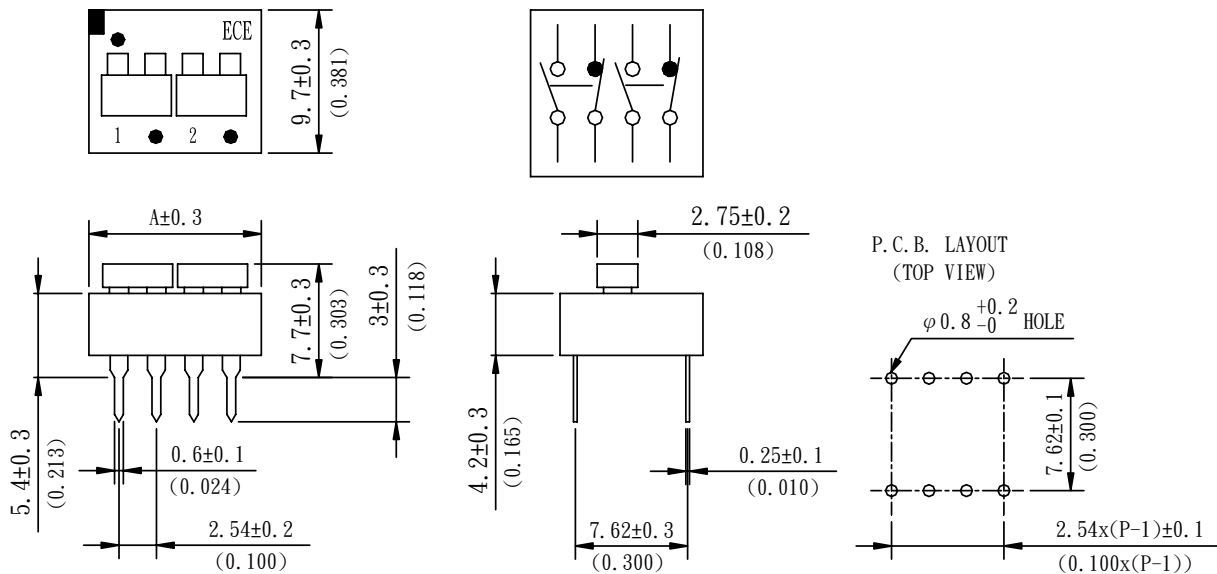


Dimension A

UNIT:mm(inch)

| Positions | 1              | 2               | 3               | 4               | 5               | 6               |
|-----------|----------------|-----------------|-----------------|-----------------|-----------------|-----------------|
| A         | 6.7<br>(0.264) | 11.7<br>(0.461) | 16.7<br>(0.657) | 21.7<br>(0.854) | 26.7<br>(1.051) | 31.8<br>(1.252) |

## EDG/EDS SPDT SERIES

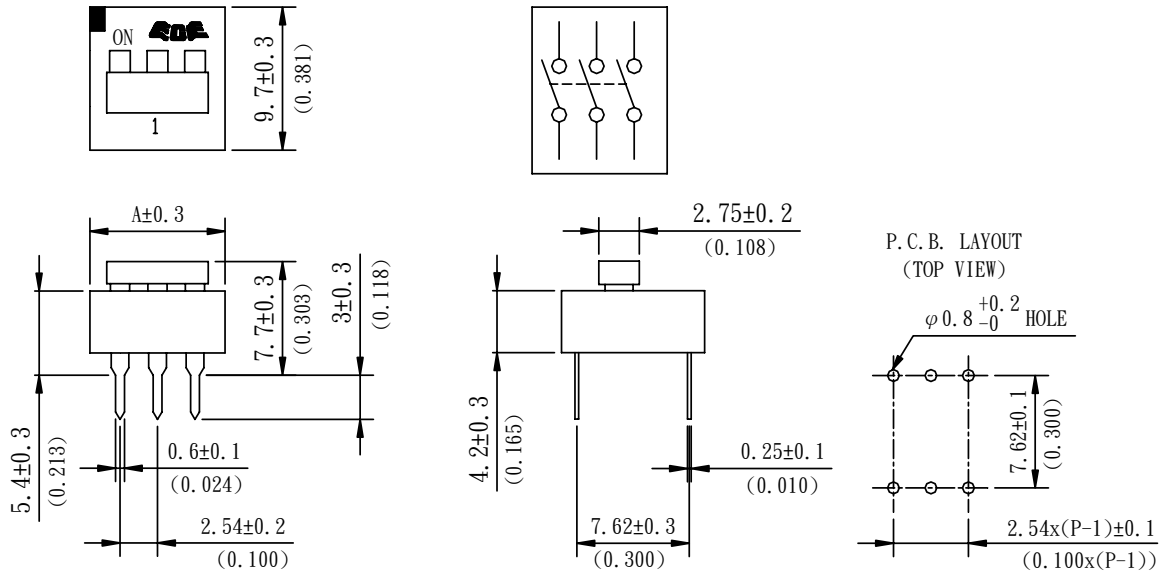


Dimension A

UNIT:mm(inch)

| Positions | 1              | 2               | 3               | 4               | 5               | 6               |
|-----------|----------------|-----------------|-----------------|-----------------|-----------------|-----------------|
| A         | 6.7<br>(0.264) | 11.7<br>(0.461) | 16.7<br>(0.657) | 21.7<br>(0.854) | 26.7<br>(1.051) | 31.8<br>(1.252) |

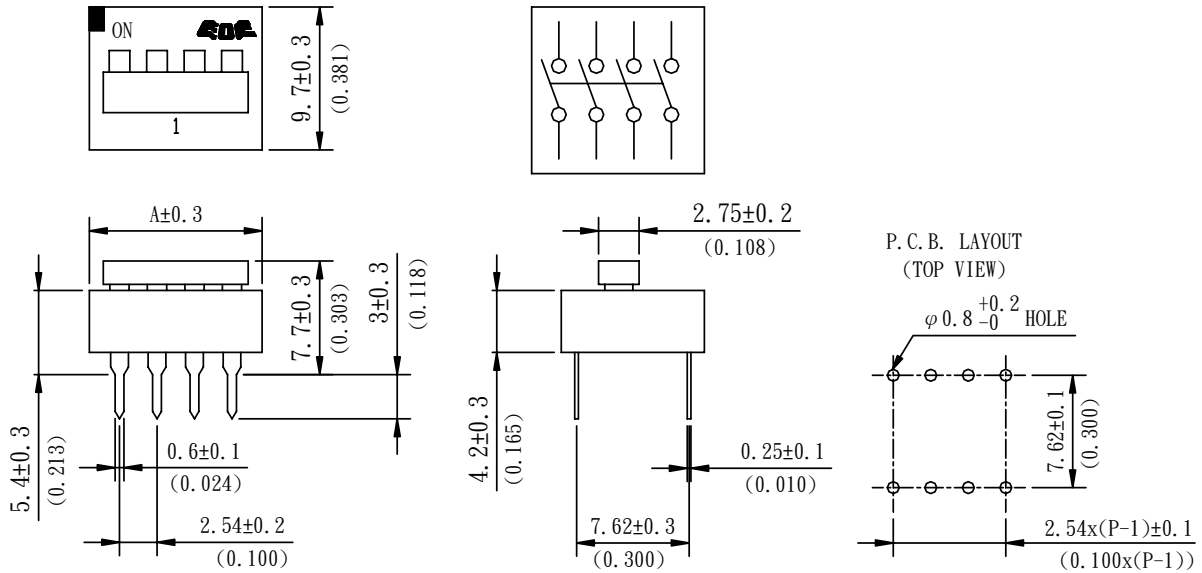
## EDG/EDS 3PST SERIES



Dimension A UNIT:mm(inch)

| Positions | 1              | 2               | 3               | 4               | 5               |
|-----------|----------------|-----------------|-----------------|-----------------|-----------------|
| A         | 9.2<br>(0.362) | 16.7<br>(0.657) | 24.2<br>(0.953) | 31.8<br>(1.252) | 39.5<br>(1.555) |

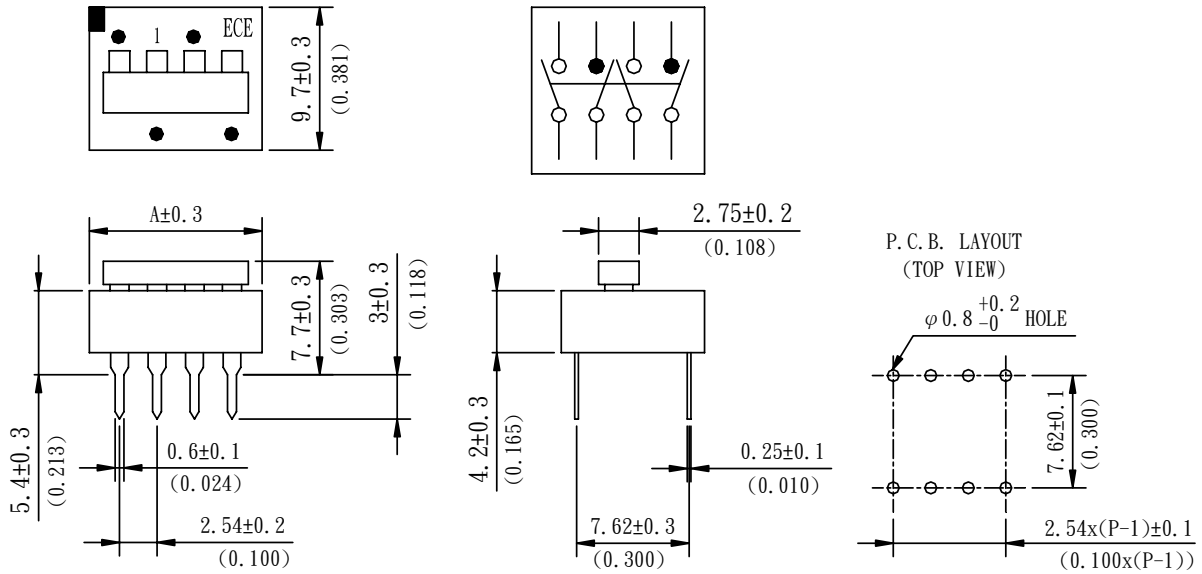
## EDG/EDS 4PST SERIES



Dimension A UNIT:mm(inch)

| Positions | 1               | 2               | 3               |
|-----------|-----------------|-----------------|-----------------|
| A         | 11.7<br>(0.461) | 21.7<br>(0.854) | 31.8<br>(1.252) |

## EDG/EDS DPDT SERIES

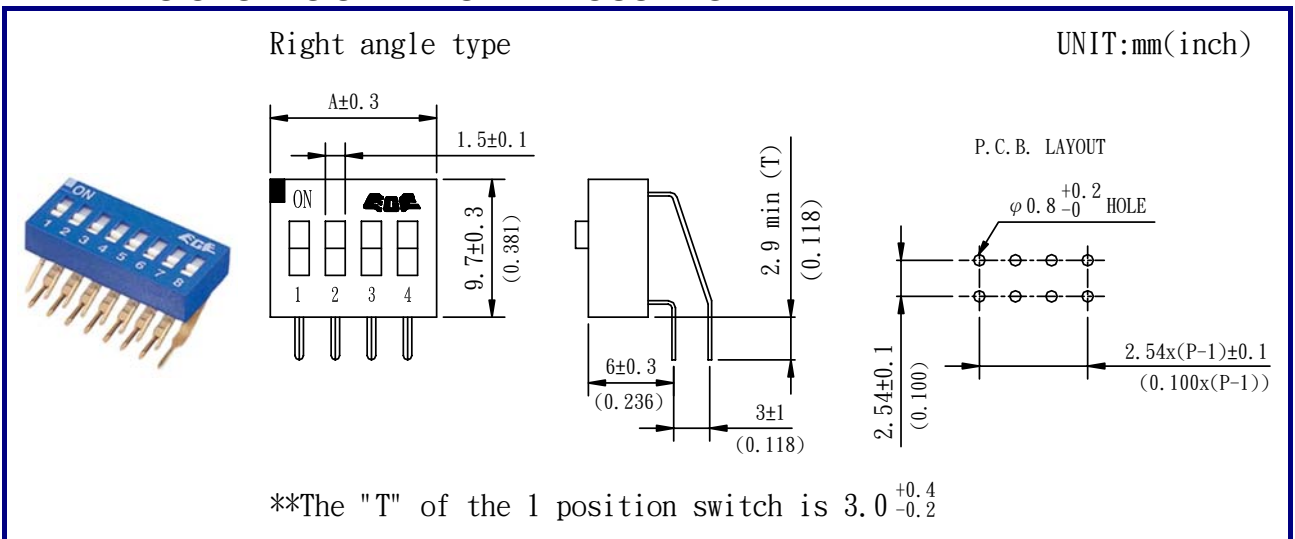


Dimension A UNIT:mm(inch)

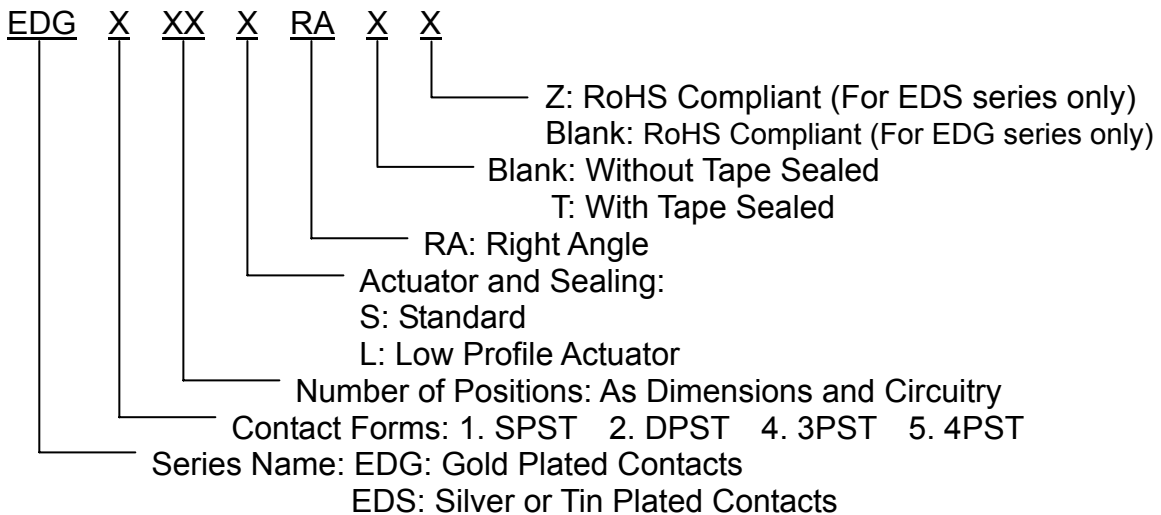
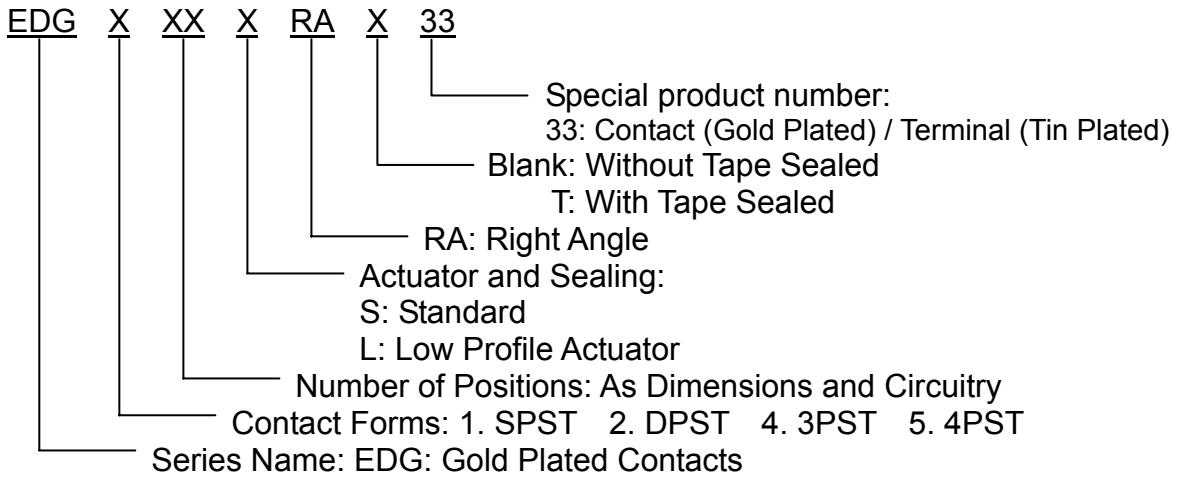
| Positions | 1               | 2               | 3               |
|-----------|-----------------|-----------------|-----------------|
| A         | 11.7<br>(0.461) | 21.7<br>(0.854) | 31.8<br>(1.252) |

## OPTIONS

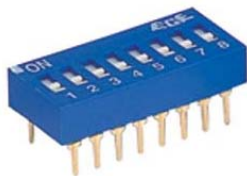
- ◆ RIGHT ANGLE TYPE
- DIMENSIONS AND CIRCUITRY
- DIMENSIONS A IS SAME AS PREVIOUS PAGE



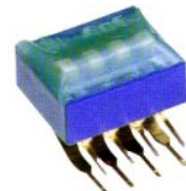
## PART NUMBERING SYSTEM



### ◆ LOW PROFILE ACTUATORS



### ◆ LOW PROFILE ACTUATORS AND TOP TAPE SEALED



### ◆ SPECIAL TOP OR SIDE MARKING AVAILABLE