

PLUG IN TYPE TERMINAL BLOCK

TÜV R50130520
E133988(R)

ETB83 SERIES

SOCKET TYPE

PITCH=5.0mm

FEATURES

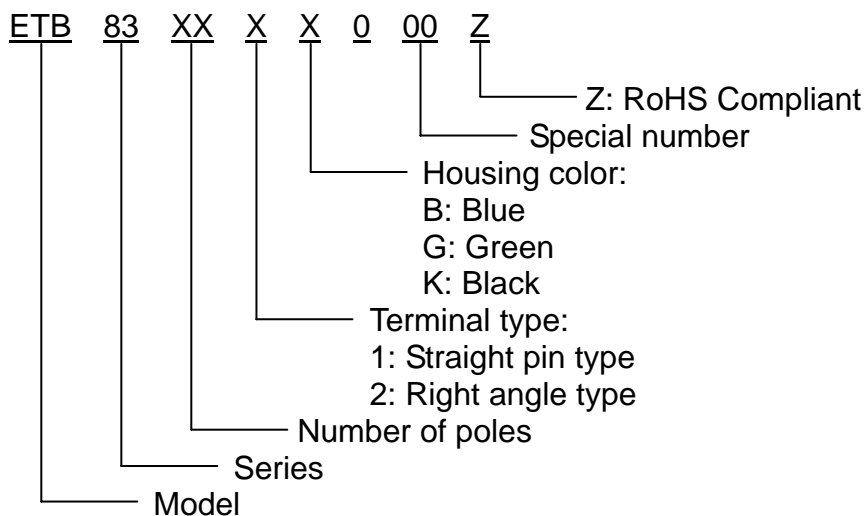
- Special wire protector design to ensure reliable wire clamping
- Be capable of clamping a wide range of wire diameters
- The Male connector of plug using a twin leaf phosphor bronze contact mates with the Female socket
- The Female socket is mounted and soldered to the P.C.B.
- Good for insertion & withdrawal
- UL 94V-0 grade fire retardant engineering plastic used for the housing

SPECIFICATIONS

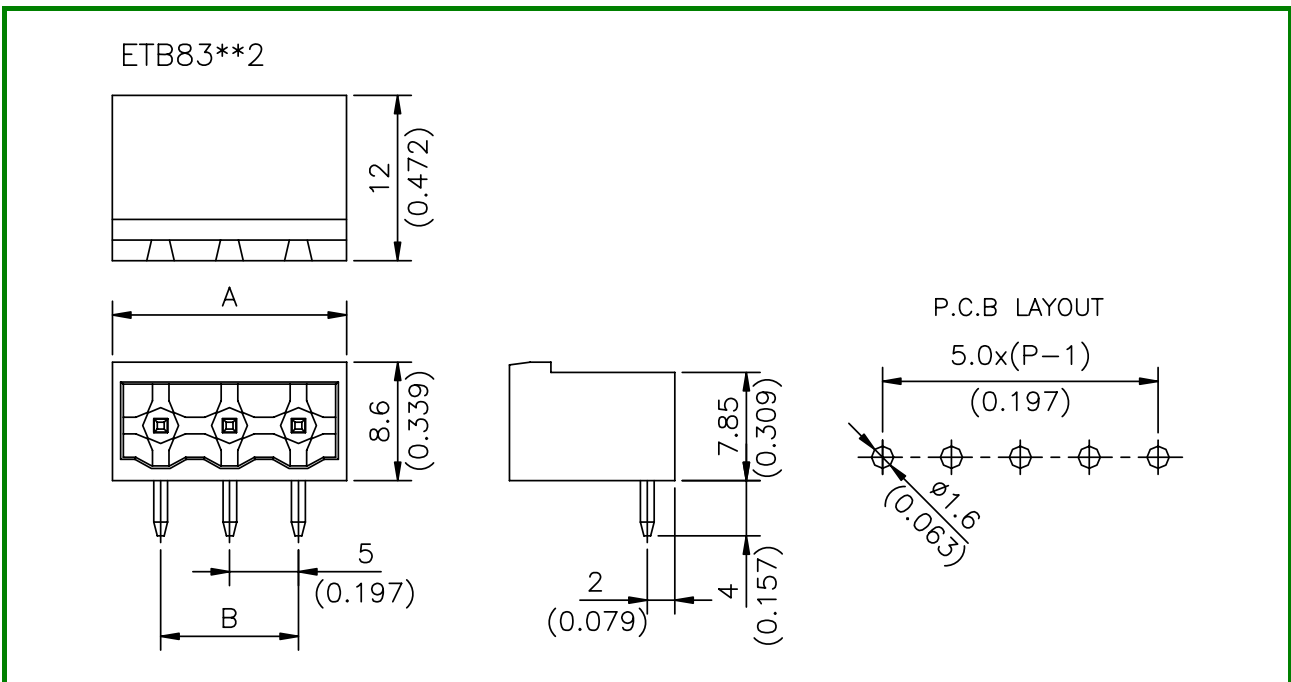
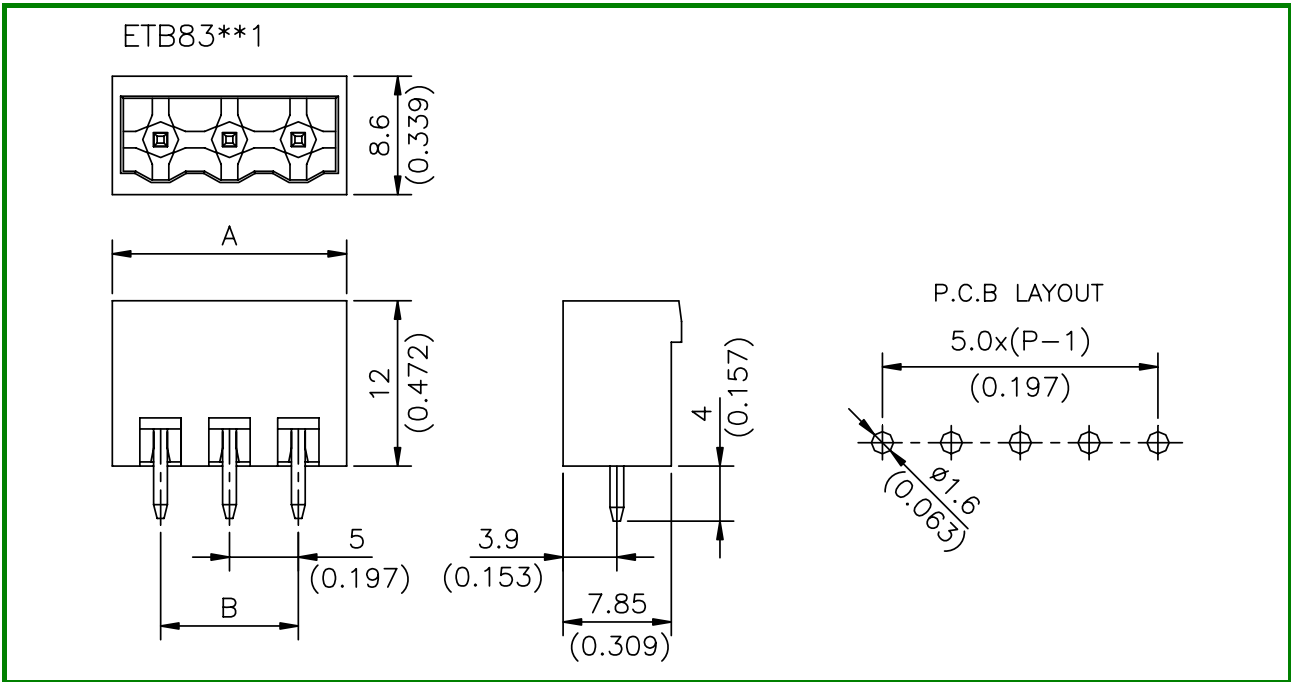
- Pitch 5.0mm
- No. of pole per block 2P to 16P
- Rating 10 Amp, 300 VAC
- Housing PA66
- Terminals Tin plated over Phosphor bronze
- Operating temperature $-30^{\circ}\text{C} \sim +110^{\circ}\text{C}$
(includes temperature rise limit)
- UL Approval 300V, 10A
- TUV Approval 250V, 15A Max.



PART NUMBERING SYSTEM



DRAWING



POLE DIM.	2	3	4	5	6	7	8	9	10	11	12	13	14	15	16
A	12 (0.472)	17 (0.669)	22 (0.866)	27 (1.063)	32 (1.260)	37 (1.457)	42 (1.654)	47 (1.850)	52 (2.047)	57 (2.244)	62 (2.441)	67 (2.638)	72 (2.835)	77 (3.031)	82 (3.228)
B	5 (0.197)	10 (0.394)	15 (0.591)	20 (0.787)	25 (0.984)	30 (1.181)	35 (1.378)	40 (1.575)	45 (1.772)	50 (1.969)	55 (2.165)	60 (2.362)	65 (2.559)	70 (2.756)	75 (2.953)

PLUG IN TYPE TERMINAL BLOCK

TÜV R50130520
E133988(R)

ETB83 SERIES

STACKABLE TYPE

PITCH=5.0mm

FEATURES

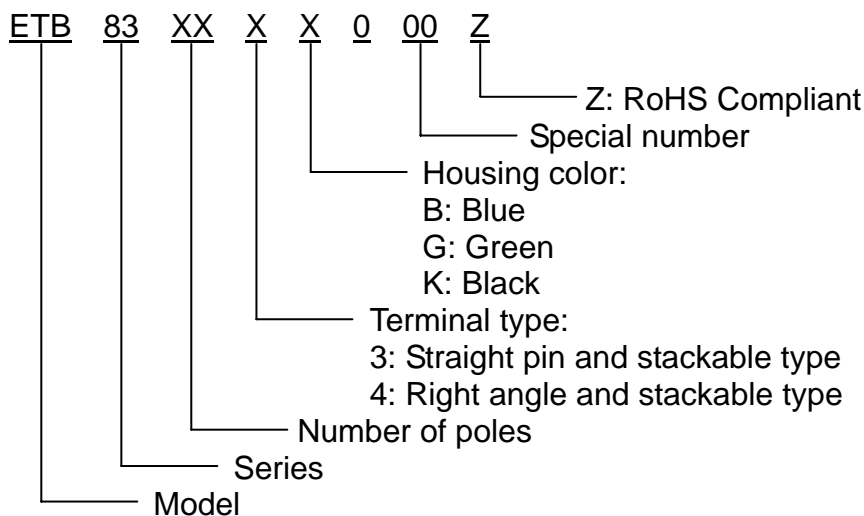
- Special wire protector design to ensure reliable wire clamping
- Be capable of clamping a wide range of wire diameters
- The Male connector of plug using a twin leaf phosphor bronze contact mates with the Female socket
- The Female socket is mounted and soldered to the P.C.B.
- Good for insertion & withdrawal
- UL 94V-0 grade fire retardant engineering plastic used for the housing

SPECIFICATIONS

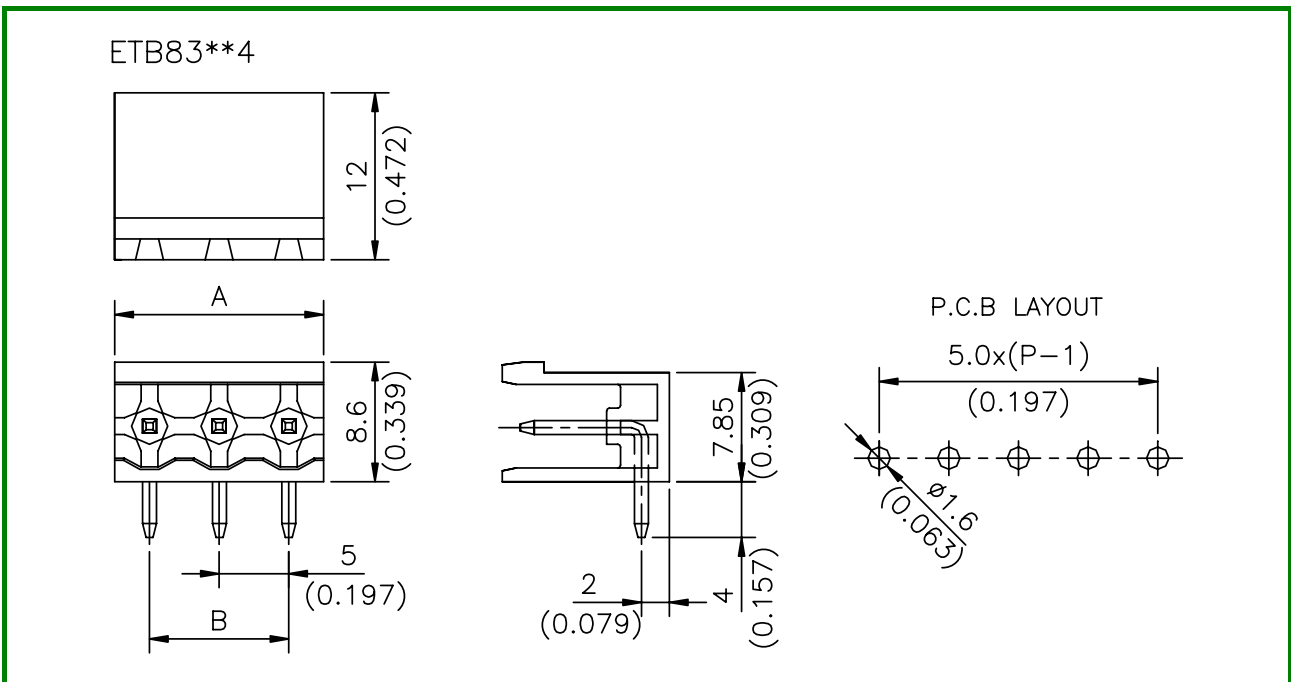
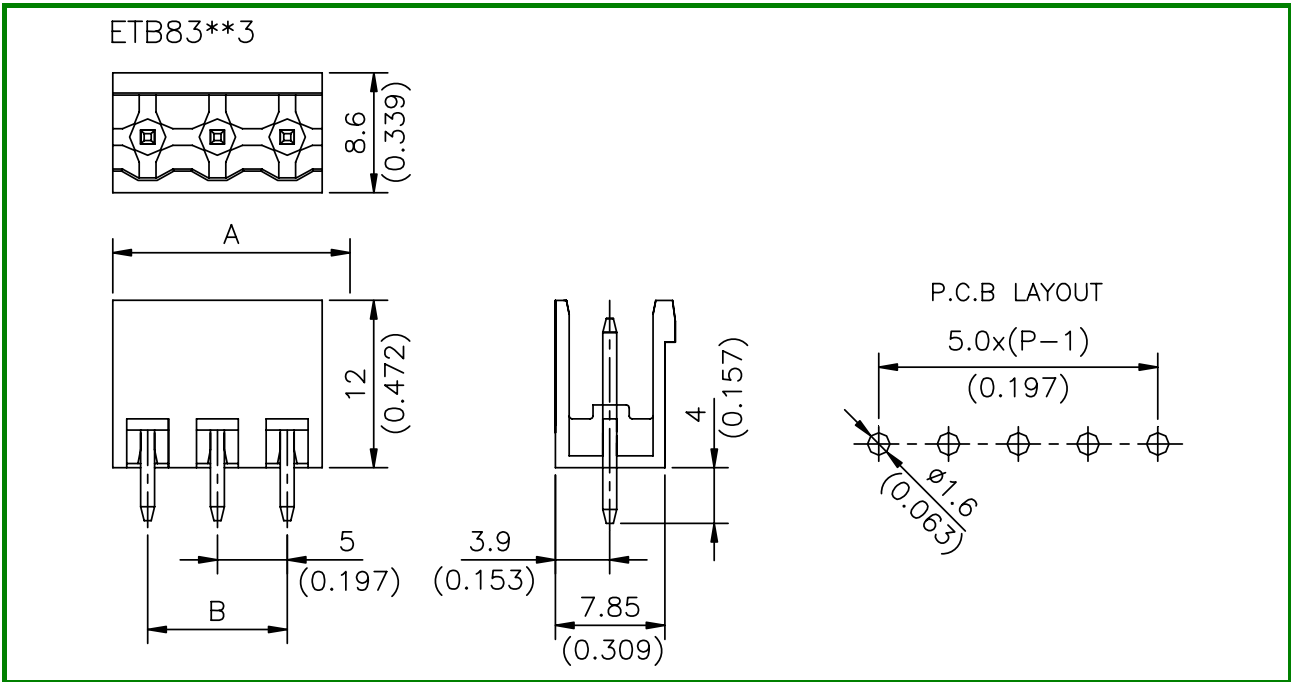
- Pitch 5.0mm
- No. of pole per block 2P to 16P
- Rating 10 Amp, 300 VAC
- Housing PA66
- Terminals Tin plated over Phosphor bronze
- Operating temperature -30°C ~ +110°C
(includes temperature rise limit)
- UL Approval 300V, 10A
- TUV Approval 250V, 15A Max.



PART NUMBERING SYSTEM



■ DRAWING



POLE DIM.	2	3	4	5	6	7	8	9	10	11	12	13	14	15	16
A	10 (0.394)	15 (0.591)	20 (0.787)	25 (0.984)	30 (1.181)	35 (1.378)	40 (1.575)	45 (1.772)	50 (1.969)	55 (2.165)	60 (2.362)	65 (2.559)	70 (2.756)	75 (2.953)	80 (3.150)
B	5 (0.197)	10 (0.394)	15 (0.591)	20 (0.787)	25 (0.984)	30 (1.181)	35 (1.378)	40 (1.575)	45 (1.772)	50 (1.969)	55 (2.165)	60 (2.362)	65 (2.559)	70 (2.756)	75 (2.953)