



Terminal Block

HIGH POWER TYPE TERMINAL BLOCK

TÜV R50002918
E133988(R)

ETB75 SERIES

CLAMPING TYPE

PITCH=7.5 / 15.0mm

FEATURES

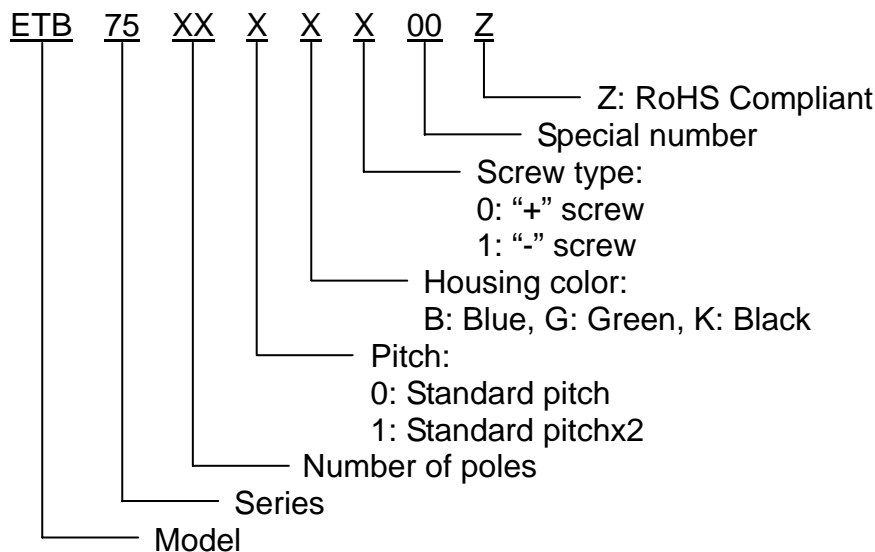
- Easy to assemble for any number of positions
- End stackable without any loss of P.C.B. space
- Special wire protector design to ensure reliable wire clamping
- UL 94V-0 grade fire retardant engineering plastic used for the housing
- Be capable of clamping a wide range of wire diameters
- Compact size for P.C.B.

SPECIFICATIONS

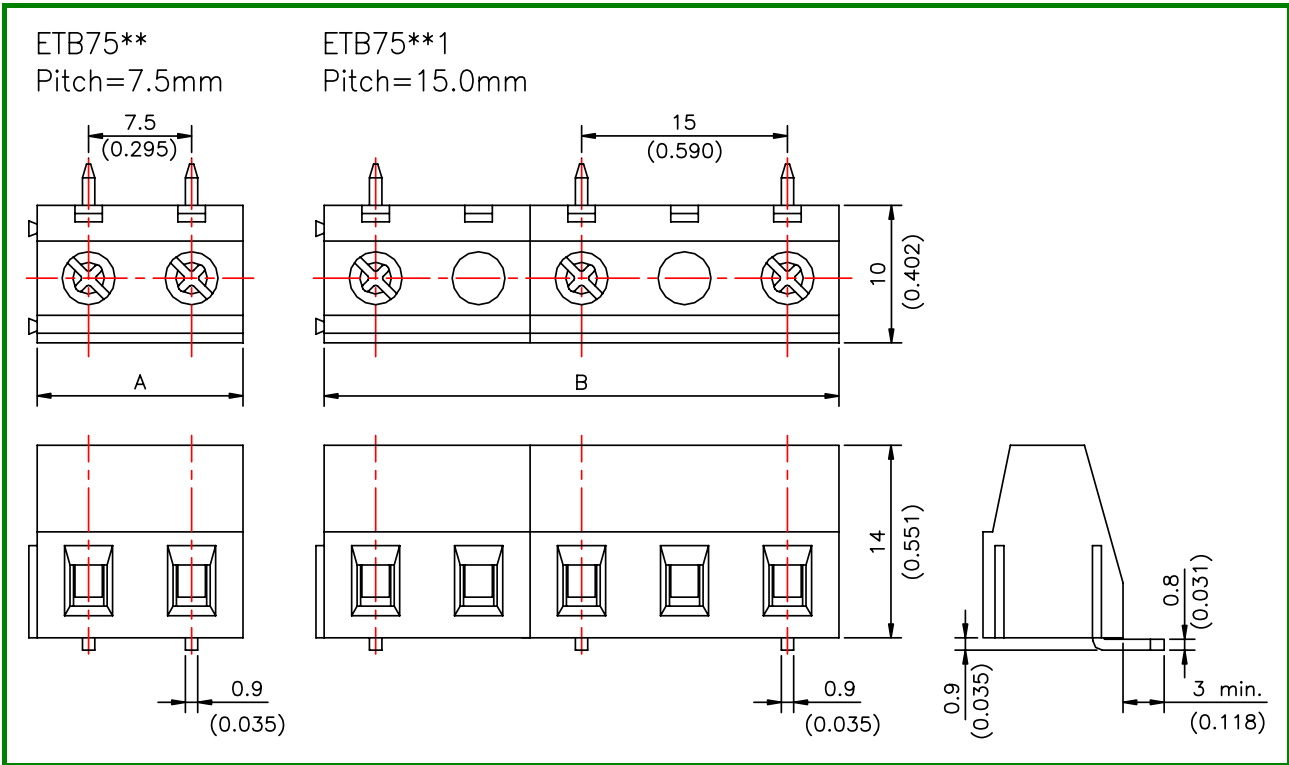
- Pitch 7.5mm, 15.0mm
- Wire range 24~12 AWG (4.0mm²)
- No. of pole per block 2P or 3P
- Rating 16 Amp, 300 VAC
- Housing PA66
- Terminals Tin plated over Brass
- Screws M2.6x0.45P, Zinc plated over Steel
- Wire case Nickel plated over Zinc Alloy
- Torque 0.5N-m (4.4 lb-in) (tested by manual torque screwdriver)
- Operating temperature -30°C~+110°C (includes temperature rise limit)
- Stripping length 6mm
- UL Approval 300V, 16A, 24~12 AWG



PART NUMBERING SYSTEM



DRAWING



POLE DIM.	2	3	4	5	6	7	8	9	10	11	12	13
A	15.0 (0.591)	22.5 (0.886)	30.0 (1.181)	37.5 (1.476)	45.0 (1.772)	52.5 (2.067)	60.0 (2.362)	67.5 (2.657)	75.0 (2.953)	82.5 (3.248)	90.0 (3.543)	97.5 (3.839)
B	22.5 (0.886)	37.5 (1.476)	52.5 (2.067)	67.5 (2.657)	82.5 (3.248)	97.5 (3.839)	112.5 (4.429)	127.5 (5.020)	142.5 (5.610)	157.5 (6.201)	172.5 (6.791)	
POLE DIM.	14	15	16	17	18	19	20	21	22	23	24	
A	105.0 (4.134)	112.5 (4.429)	120.0 (4.724)	127.5 (5.020)	135.0 (5.315)	142.5 (5.610)	150.0 (5.906)	157.5 (6.201)	165.0 (6.496)	172.5 (6.791)	180.0 (7.087)	