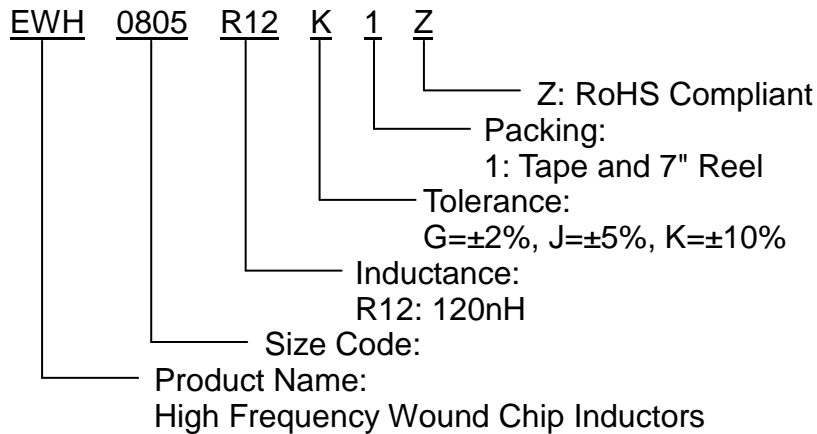


HIGH FREQUENCY WOUND CHIP INDUCTORS EWH SERIES

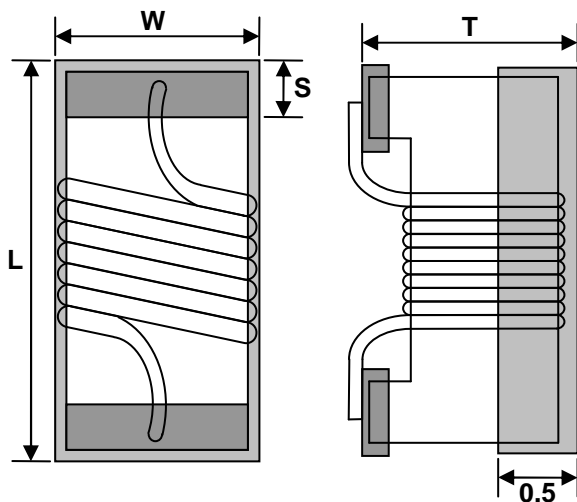
FEATURES

- Our EWH series have been designed especially for high frequency and endurance high current characteristic.
- Ceramic body and wire wound construction delivers the highest SRFs especially also appears superior Q value even at high frequency.
- These ultra-compact size inductors are provided for high density PCB.
- Excellent for SRFs and Q values applications such as communication equipment, cellular phones, computer communication, etc..

PART NUMBERING SYSTEM



DIMENSIONS



UNIT: mm

| Type | L | W | T | S |
|------|---------|----------|----------|----------|
| 0603 | 1.6±0.2 | 1.05±0.2 | 1.05±0.2 | 0.35±0.1 |
| 0805 | 2.0±0.2 | 1.25±0.2 | 1.20±0.2 | 0.40±0.1 |
| 1008 | 2.5±0.2 | 2.00±0.2 | 2.20±0.2 | 0.50±0.1 |



ECE —
The Name You Can Trust!

■ ELECTRICAL CHARACTERISTICS

◆ TYPE: EWH 0603

| Part No. | Inductance (nH) | Test Freq. (MHz) | Tolerance (±%) | Q (Min.) | Test Freq. (MHz) | SRF (MHz) Min. | DC Resistance (Ω)Max. | Rating Current (mA)Max. |
|-------------|-----------------|------------------|----------------|----------|------------------|----------------|-----------------------|-------------------------|
| EWH0603-1N6 | 1.6 | 250 | J,K | 24 | 250 | 12500 | 0.030 | 700 |
| EWH0603-1N8 | 1.8 | 250 | J,K | 16 | 250 | 12500 | 0.045 | 700 |
| EWH0603-3N3 | 3.3 | 250 | J,K | 30 | 250 | 5900 | 0.045 | 700 |
| EWH0603-3N6 | 3.6 | 250 | J,K | 22 | 250 | 5900 | 0.063 | 700 |
| EWH0603-3N9 | 3.9 | 250 | J,K | 22 | 250 | 6900 | 0.080 | 700 |
| EWH0603-4N3 | 4.3 | 250 | J,K | 22 | 250 | 5900 | 0.063 | 700 |
| EWH0603-4N7 | 4.7 | 250 | J,K | 20 | 250 | 5800 | 0.085 | 700 |
| EWH0603-5N1 | 5.1 | 250 | J,K | 20 | 250 | 5700 | 0.115 | 700 |
| EWH0603-5N6 | 5.6 | 250 | J,K | 18 | 250 | 5800 | 0.160 | 700 |
| EWH0603-6N3 | 6.3 | 250 | J,K | 26 | 250 | 5700 | 0.115 | 700 |
| EWH0603-6N8 | 6.8 | 250 | J,K | 27 | 250 | 5800 | 0.125 | 700 |
| EWH0603-7N5 | 7.5 | 250 | J,K | 28 | 250 | 4800 | 0.115 | 700 |
| EWH0603-8N2 | 8.2 | 250 | J,K | 30 | 250 | 4700 | 0.125 | 700 |
| EWH0603-8N7 | 8.7 | 250 | J,K | 28 | 250 | 4600 | 0.109 | 700 |
| EWH0603-9N5 | 9.5 | 250 | J,K | 28 | 250 | 5400 | 0.145 | 700 |
| EWH0603-10N | 10 | 250 | G,J,K | 31 | 250 | 4800 | 0.145 | 700 |
| EWH0603-11N | 11 | 250 | G,J,K | 30 | 250 | 4000 | 0.145 | 700 |
| EWH0603-12N | 12 | 250 | G,J,K | 35 | 250 | 4000 | 0.145 | 700 |
| EWH0603-15N | 15 | 250 | G,J,K | 35 | 250 | 4000 | 0.180 | 700 |
| EWH0603-16N | 16 | 250 | G,J,K | 34 | 250 | 3300 | 0.170 | 700 |
| EWH0603-18N | 18 | 250 | G,J,K | 35 | 250 | 3100 | 0.180 | 700 |
| EWH0603-22N | 22 | 250 | G,J,K | 38 | 250 | 3000 | 0.205 | 700 |
| EWH0603-23N | 23 | 250 | G,J,K | 38 | 250 | 2850 | 0.205 | 700 |
| EWH0603-24N | 24 | 250 | G,J,K | 36 | 250 | 2650 | 0.205 | 700 |
| EWH0603-27N | 27 | 250 | G,J,K | 40 | 250 | 2800 | 0.220 | 600 |
| EWH0603-30N | 30 | 250 | G,J,K | 37 | 250 | 2250 | 0.220 | 600 |
| EWH0603-33N | 33 | 250 | G,J,K | 40 | 250 | 2300 | 0.240 | 600 |
| EWH0603-36N | 36 | 250 | G,J,K | 37 | 250 | 2080 | 0.250 | 600 |
| EWH0603-39N | 39 | 250 | G,J,K | 40 | 250 | 2200 | 0.260 | 600 |
| EWH0603-43N | 43 | 250 | G,J,K | 38 | 250 | 2000 | 0.280 | 600 |
| EWH0603-47N | 47 | 200 | G,J,K | 38 | 200 | 2000 | 0.280 | 600 |
| EWH0603-56N | 56 | 200 | G,J,K | 38 | 200 | 1900 | 0.310 | 600 |
| EWH0603-68N | 68 | 200 | G,J,K | 37 | 200 | 1700 | 0.340 | 600 |
| EWH0603-72N | 72 | 150 | G,J,K | 34 | 150 | 1700 | 0.490 | 400 |
| EWH0603-82N | 82 | 150 | G,J,K | 34 | 150 | 1700 | 0.540 | 400 |



ECE —
The Name You Can Trust!

| Part No. | Inductance (nH) | Test Freq. (MHz) | Tolerance (±%) | Q (Min.) | Test Freq. (MHz) | SRF (MHz) Min. | DC Resistance (Ω)Max. | Rating Current (mA)Max. |
|-------------|-----------------|------------------|----------------|----------|------------------|----------------|-----------------------|-------------------------|
| EWH0603-91N | 91 | 150 | G,J,K | 34 | 150 | 1500 | 0.560 | 400 |
| EWH0603-R10 | 100 | 150 | G,J,K | 34 | 150 | 1400 | 0.580 | 400 |
| EWH0603-R11 | 110 | 150 | G,J,K | 32 | 150 | 1350 | 0.610 | 300 |
| EWH0603-R12 | 120 | 150 | G,J,K | 32 | 150 | 1300 | 0.750 | 300 |
| EWH0603-R15 | 150 | 150 | G,J,K | 28 | 150 | 990 | 0.920 | 280 |
| EWH0603-R18 | 180 | 100 | G,J,K | 25 | 100 | 990 | 1.250 | 240 |
| EWH0603-R20 | 200 | 100 | G,J,K | 25 | 100 | 990 | 1.500 | 200 |
| EWH0603-R22 | 220 | 100 | G,J,K | 25 | 100 | 900 | 1.700 | 200 |
| EWH0603-R27 | 270 | 100 | G,J,K | 24 | 100 | 900 | 2.450 | 170 |
| EWH0603-R33 | 330 | 100 | G,J,K | 25 | 100 | 900 | 2.750 | 100 |
| EWH0603-R39 | 390 | 100 | G,J,K | 25 | 100 | 900 | 3.150 | 100 |
| EWH0603-R47 | 470 | 100 | G,J,K | 25 | 100 | 750 | 4.000 | 80 |



ECE —
The Name You Can Trust!

◆ **TYPE: EWH 0805**

| Part No. | Inductance (nH) | Test Freq. (MHz) | Tolerance (±%) | Q (Min.) | Test Freq. (MHz) | SRF (MHz) Min. | DC Resistance (Ω)Max. | Rating Current (mA)Max. |
|-------------|-----------------|------------------|----------------|----------|------------------|----------------|-----------------------|-------------------------|
| EWH0805-2N8 | 2.8 | 250 | J,K | 70 | 1500 | 7900 | 0.06 | 800 |
| EWH0805-3N0 | 3.0 | 250 | J,K | 55 | 1500 | 7900 | 0.08 | 800 |
| EWH0805-3N3 | 3.3 | 250 | J,K | 45 | 1500 | 7900 | 0.12 | 600 |
| EWH0805-5N6 | 5.6 | 250 | J,K | 65 | 1000 | 5500 | 0.08 | 600 |
| EWH0805-6N8 | 6.8 | 250 | J,K | 50 | 1000 | 5500 | 0.11 | 600 |
| EWH0805-7N5 | 7.5 | 250 | J,K | 50 | 1000 | 4500 | 0.14 | 600 |
| EWH0805-8N2 | 8.2 | 250 | J,K | 50 | 1000 | 4700 | 0.16 | 600 |
| EWH0805-10N | 10 | 250 | G,J,K | 60 | 500 | 4200 | 0.10 | 600 |
| EWH0805-12N | 12 | 250 | G,J,K | 50 | 500 | 4000 | 0.15 | 600 |
| EWH0805-15N | 15 | 250 | G,J,K | 50 | 500 | 3400 | 0.17 | 600 |
| EWH0805-18N | 18 | 250 | G,J,K | 50 | 500 | 3300 | 0.20 | 600 |
| EWH0805-22N | 22 | 250 | G,J,K | 55 | 500 | 2600 | 0.22 | 500 |
| EWH0805-24N | 24 | 250 | G,J,K | 50 | 500 | 2000 | 0.22 | 500 |
| EWH0805-27N | 27 | 250 | G,J,K | 55 | 500 | 2500 | 0.25 | 500 |
| EWH0805-33N | 33 | 250 | G,J,K | 60 | 500 | 2050 | 0.27 | 500 |
| EWH0805-36N | 36 | 250 | G,J,K | 55 | 500 | 1700 | 0.27 | 500 |
| EWH0805-39N | 39 | 250 | G,J,K | 60 | 500 | 2000 | 0.29 | 500 |
| EWH0805-43N | 43 | 200 | G,J,K | 60 | 500 | 1650 | 0.34 | 500 |
| EWH0805-47N | 47 | 200 | G,J,K | 60 | 500 | 1650 | 0.31 | 500 |
| EWH0805-56N | 56 | 200 | G,J,K | 60 | 500 | 1550 | 0.34 | 500 |
| EWH0805-68N | 68 | 200 | G,J,K | 60 | 500 | 1450 | 0.38 | 500 |
| EWH0805-82N | 82 | 150 | G,J,K | 65 | 500 | 1300 | 0.42 | 400 |
| EWH0805-91N | 91 | 150 | G,J,K | 65 | 500 | 1200 | 0.48 | 400 |
| EWH0805-R10 | 100 | 150 | G,J,K | 65 | 500 | 1200 | 0.46 | 400 |
| EWH0805-R11 | 110 | 150 | G,J,K | 50 | 250 | 1000 | 0.48 | 400 |
| EWH0805-R12 | 120 | 150 | G,J,K | 50 | 250 | 1100 | 0.51 | 400 |
| EWH0805-R15 | 150 | 100 | G,J,K | 50 | 250 | 920 | 0.56 | 400 |
| EWH0805-R16 | 160 | 100 | G,J,K | 50 | 250 | 900 | 0.60 | 400 |
| EWH0805-R18 | 180 | 100 | G,J,K | 50 | 250 | 870 | 0.64 | 400 |
| EWH0805-R20 | 200 | 100 | G,J,K | 50 | 250 | 865 | 0.68 | 400 |
| EWH0805-R22 | 220 | 100 | G,J,K | 50 | 250 | 850 | 0.70 | 400 |
| EWH0805-R24 | 240 | 100 | G,J,K | 44 | 250 | 690 | 1.00 | 350 |
| EWH0805-R25 | 250 | 100 | G,J,K | 48 | 250 | 680 | 1.00 | 350 |
| EWH0805-R27 | 270 | 100 | G,J,K | 48 | 250 | 650 | 1.00 | 350 |
| EWH0805-R33 | 330 | 100 | G,J,K | 48 | 250 | 600 | 1.40 | 310 |
| EWH0805-R39 | 390 | 100 | G,J,K | 48 | 250 | 560 | 1.50 | 290 |
| EWH0805-R47 | 470 | 50 | G,J,K | 30 | 100 | 375 | 1.76 | 250 |
| EWH0805-R56 | 560 | 25 | G,J,K | 23 | 50 | 340 | 1.90 | 230 |
| EWH0805-R62 | 620 | 25 | G,J,K | 23 | 50 | 220 | 2.20 | 210 |
| EWH0805-R68 | 680 | 25 | G,J,K | 23 | 50 | 188 | 2.20 | 190 |
| EWH0805-R82 | 820 | 25 | G,J,K | 23 | 50 | 215 | 2.35 | 180 |
| EWH0805-1R0 | 1000 | 25 | G,J,K | 22 | 50 | 200 | 2.45 | 170 |



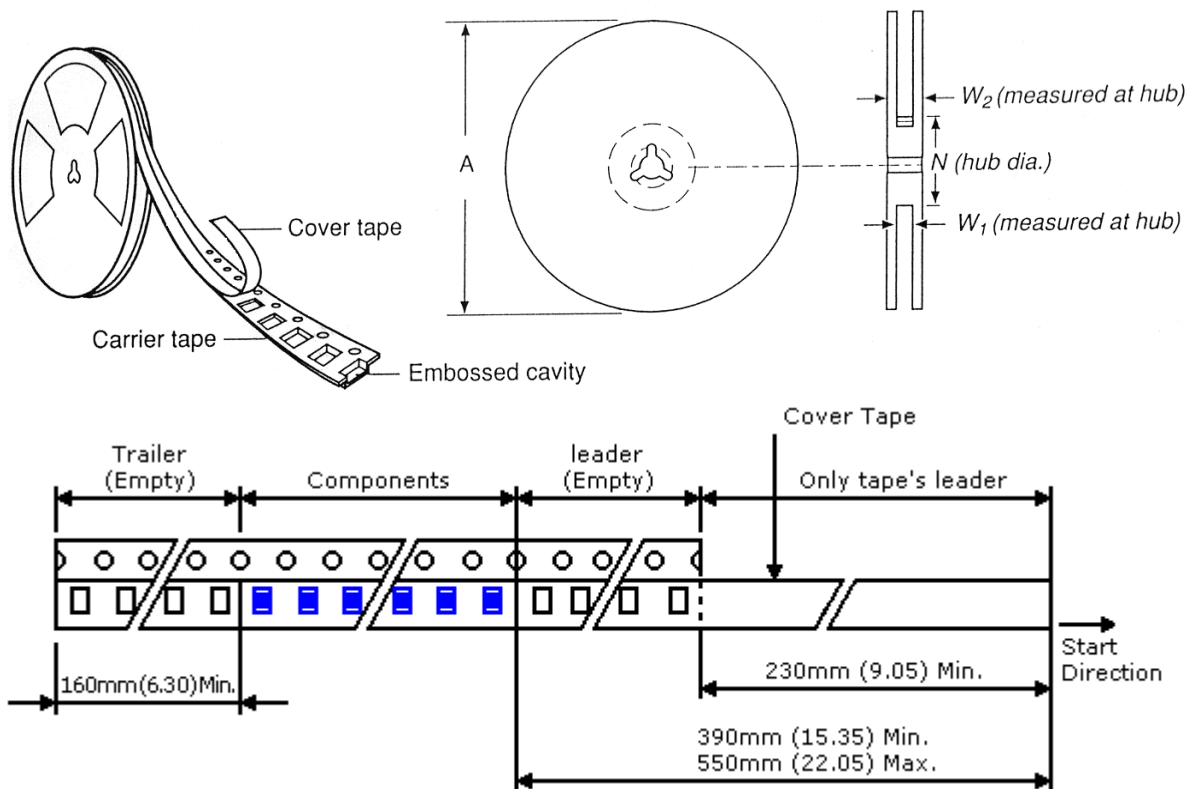
ECE —
The Name You Can Trust!

◆ **TYPE: EWH 1008**

| Part No. | Inductance (nH) | Test Freq. (MHz) | Tolerance (±%) | Q (Min.) | Test Freq. (MHz) | SRF (MHz) Min. | DC Resistance (Ω)Max. | Rating Current (mA)Max. |
|-------------|-----------------|------------------|----------------|----------|------------------|----------------|-----------------------|-------------------------|
| EWH1008-10N | 10 | 50 | G,J,K | 50 | 500 | 4100 | 0.08 | 1000 |
| EWH1008-12N | 12 | 50 | G,J,K | 50 | 500 | 3300 | 0.09 | 1000 |
| EWH1008-15N | 15 | 50 | G,J,K | 45 | 500 | 2500 | 0.10 | 1000 |
| EWH1008-18N | 18 | 50 | G,J,K | 50 | 350 | 2500 | 0.11 | 1000 |
| EWH1008-22N | 22 | 50 | G,J,K | 55 | 350 | 2400 | 0.12 | 1000 |
| EWH1008-27N | 27 | 50 | G,J,K | 55 | 350 | 1600 | 0.13 | 1000 |
| EWH1008-33N | 33 | 50 | G,J,K | 60 | 350 | 1600 | 0.14 | 1000 |
| EWH1008-39N | 39 | 50 | G,J,K | 60 | 350 | 1500 | 0.15 | 1000 |
| EWH1008-47N | 47 | 50 | G,J,K | 65 | 350 | 1500 | 0.16 | 1000 |
| EWH1008-56N | 56 | 50 | G,J,K | 65 | 350 | 1300 | 0.18 | 1000 |
| EWH1008-68N | 68 | 50 | G,J,K | 65 | 350 | 1300 | 0.20 | 1000 |
| EWH1008-82N | 82 | 50 | G,J,K | 60 | 350 | 1000 | 0.22 | 1000 |
| EWH1008-R10 | 100 | 25 | G,J,K | 60 | 350 | 1000 | 0.56 | 650 |
| EWH1008-R12 | 120 | 25 | G,J,K | 60 | 350 | 950 | 0.63 | 650 |
| EWH1008-R15 | 150 | 25 | G,J,K | 45 | 100 | 850 | 0.70 | 580 |
| EWH1008-R18 | 180 | 25 | G,J,K | 45 | 100 | 750 | 0.77 | 620 |
| EWH1008-R22 | 220 | 25 | G,J,K | 45 | 100 | 700 | 0.84 | 500 |
| EWH1008-R27 | 270 | 25 | G,J,K | 45 | 100 | 600 | 0.91 | 500 |
| EWH1008-R33 | 330 | 25 | G,J,K | 45 | 100 | 570 | 1.05 | 450 |
| EWH1008-R39 | 390 | 25 | G,J,K | 45 | 100 | 500 | 1.12 | 470 |
| EWH1008-R47 | 470 | 25 | G,J,K | 45 | 100 | 450 | 1.19 | 470 |
| EWH1008-R56 | 560 | 25 | G,J,K | 45 | 100 | 415 | 1.33 | 400 |
| EWH1008-R62 | 620 | 25 | G,J,K | 45 | 100 | 375 | 1.40 | 300 |
| EWH1008-R68 | 680 | 25 | G,J,K | 45 | 100 | 375 | 1.47 | 400 |
| EWH1008-R75 | 750 | 25 | G,J,K | 45 | 100 | 360 | 1.54 | 360 |
| EWH1008-R82 | 820 | 25 | G,J,K | 45 | 100 | 350 | 1.65 | 400 |
| EWH1008-R91 | 910 | 25 | G,J,K | 35 | 50 | 320 | 1.68 | 380 |
| EWH1008-1R0 | 1000 | 25 | G,J,K | 35 | 50 | 290 | 1.75 | 370 |
| EWH1008-1R2 | 1200 | 7.9 | G,J,K | 35 | 50 | 250 | 2.00 | 310 |
| EWH1008-1R5 | 1500 | 7.9 | G,J,K | 28 | 50 | 200 | 2.30 | 330 |
| EWH1008-1R8 | 1800 | 7.9 | G,J,K | 28 | 50 | 160 | 2.60 | 300 |
| EWH1008-2R2 | 2200 | 7.9 | G,J,K | 28 | 50 | 160 | 2.80 | 280 |
| EWH1008-2R7 | 2700 | 7.9 | G,J,K | 22 | 25 | 135 | 3.20 | 290 |
| EWH1008-3R3 | 3300 | 7.9 | G,J,K | 22 | 25 | 110 | 3.40 | 290 |
| EWH1008-3R9 | 3900 | 7.9 | G,J,K | 20 | 25 | 100 | 3.60 | 260 |
| EWH1008-4R7 | 4700 | 7.9 | G,J,K | 20 | 25 | 90 | 4.00 | 260 |
| EWH1008-5R6 | 5600 | 7.9 | G,J,K | 18 | 7.9 | 40 | 4.00 | 240 |
| EWH1008-6R8 | 6800 | 7.9 | G,J,K | 18 | 7.9 | 40 | 4.90 | 200 |
| EWH1008-8R2 | 8200 | 7.9 | G,J,K | 18 | 7.9 | 25 | 6.10 | 170 |
| EWH1008-100 | 10000 | 2.5 | G,J,K | 18 | 7.9 | 25 | 8.00 | 150 |

TAPE & REEL PACKAGING

■ Packaging - Cover Tape



| Reel Dimensions | | |
|-----------------|-------------|-------------|
| Reel type | W=8mm | W=12mm |
| A | Φ178mm | Φ178mm |
| N | Φ50mm min. | Φ50mm min. |
| W ₁ | 8.4+1.5mm | 12.4+2.0mm |
| W ₂ | 14.4mm max. | 18.4mm max. |

■ Packaging Quantity

| Type | Reel/Tape |
|--------|-----------|
| 100505 | 10000 |
| 160808 | 4000 |
| 201209 | 4000 |
| 201212 | 3000 |
| 321611 | 3000 |
| 321616 | 2000 |

| Type | Reel/Tape |
|---------|-----------|
| EWL2520 | 2000 |
| EWL3225 | 2000 |
| EWL4532 | 500 |
| EWH0603 | 4000 |
| EWH0805 | 2000 |
| EWH1008 | 2000 |