



MINI DIP/SMD/SOJ TYPE REED RELAY EDR5,6,7 SERIES

■ FEATURES

- Miniature surface mount package.
- DIP/SMD/SOJ lead available.
- Magnetic shield cover is available.
- Completely washable.

■ SPECIFICATIONS (at 20 °C)

1.COIL RATING

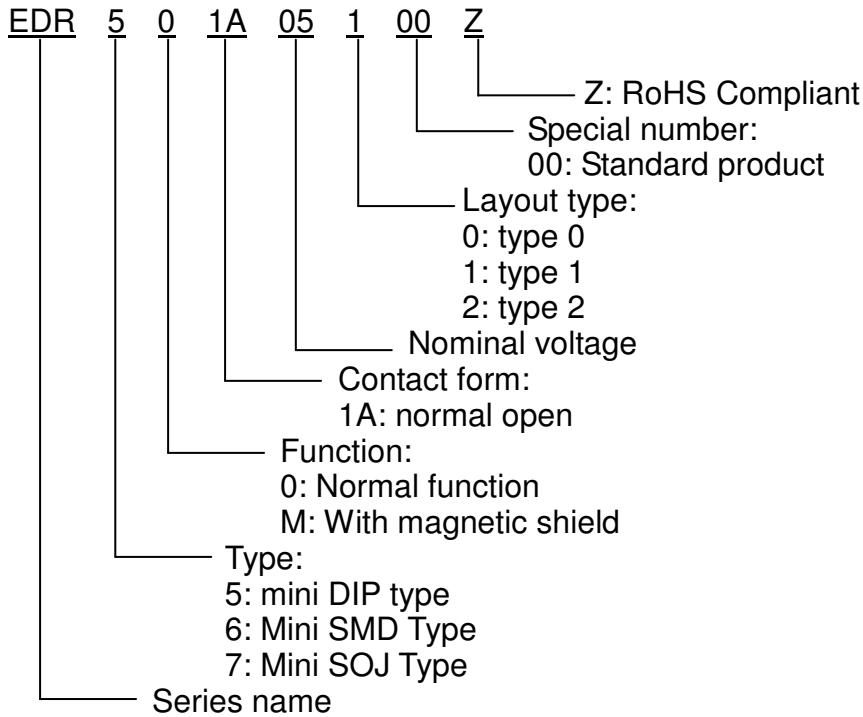
Nominal Voltage(VDC)	Operate Voltage(V) Max.	Pull-in Voltage(V)	Drop Out Voltage(V)	Coil Resistance(Ω)	Nominal input power(mW)
5	6.5	3.75	0.8	160 \pm 10%	156
12	15.0	9.0	1.0	600 \pm 10%	240

※Special design is available on request.

2.CONTACT RATING

Contact form	1A	
Switching current	0.5 ADC Max.	
Carry current	1.0 ADC Max.	
Switching power	10 VA Max.	
Electrical life (Typ.) (Resistive load)	1 \times 10 ⁹ (Ref 1VDC,10mA)	
Contact resistance	200m Ω Max.	
Operate time	1.0ms (including bounce time)	
Release time	0.5ms Max.	
Maximum voltage	100 VDC Max.	
Insulation resistance	10 ⁹ Ω Min.	
Dielectric strength	Coil to contact	500 VDC
	Across contacts	200 VDC
Temperature range	Operating temperature	-40°C to +85°C
	Storage temperature	-40°C to +125°C
Shock resistance	30G Min.	

■ PART NUMBER SYSTEM



EDR-MINI DIP TYPE



EDR-MINI SMD TYPE

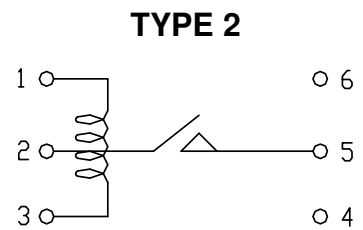
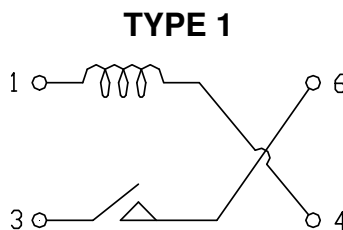
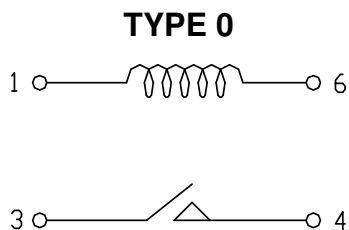


EDR-MINI SOJ TYPE



■ LAYOUT TYPE

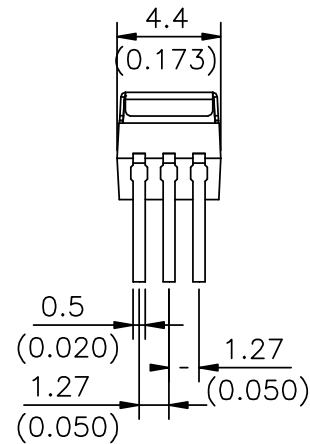
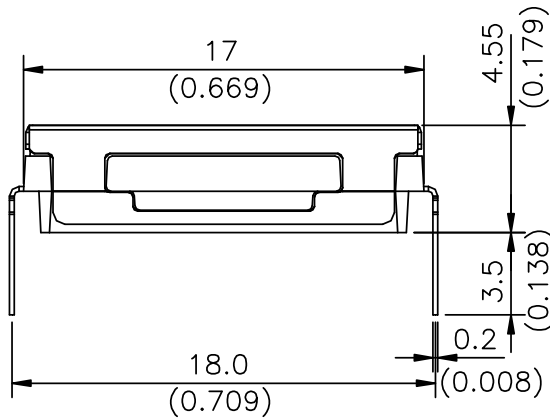
Wiring Diagram (Top View)



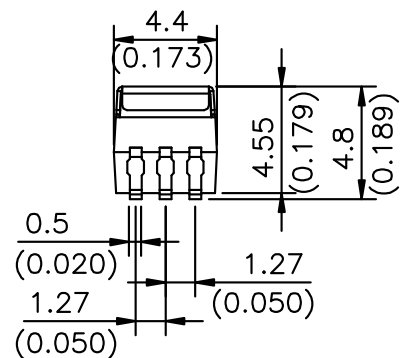
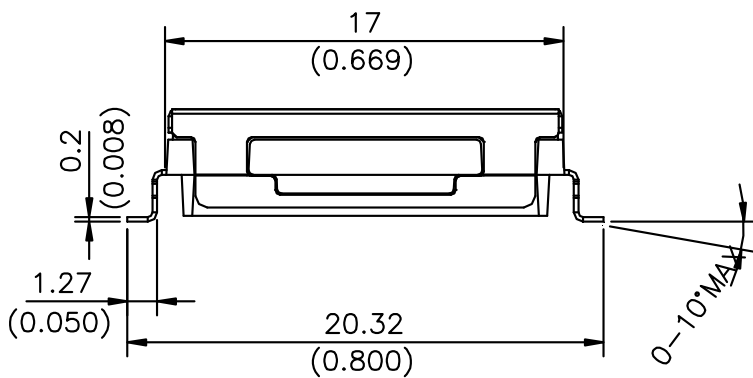


■ DIMENSIONS UNIT:mm(inch)

EDR SERIES MINI DIP TYPE



EDR SERIES MINI SMD TYPE





EDR SERIES MINI SOJ TYPE

