

## PLUG IN TYPE TERMINAL BLOCK

TÜV R50130520  
E133988(R)

ETB87 SERIES

SOCKET TYPE

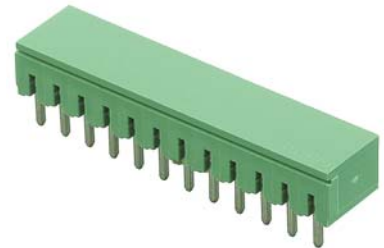
PITCH=3.5mm

### FEATURES

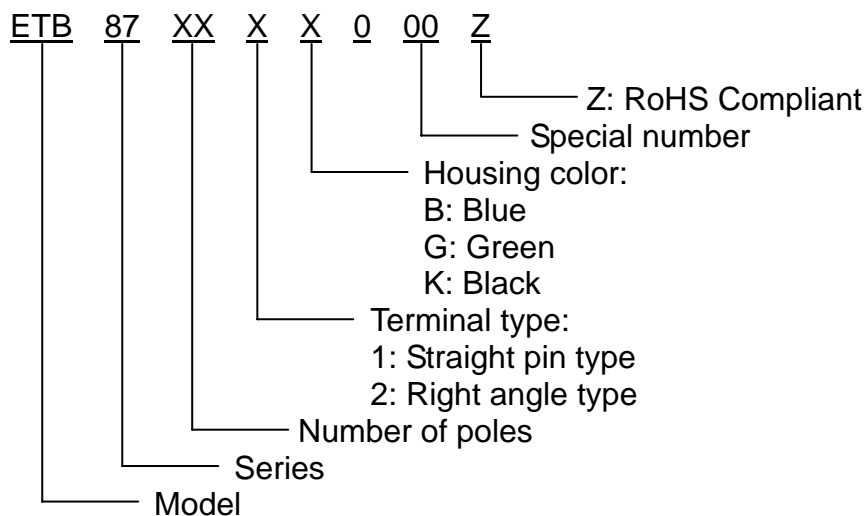
- Special wire protector design to ensure reliable wire clamping
- Be capable of clamping a wide range of wire diameters
- The Male connector of plug using a twin leaf phosphor bronze contact mates with the Female socket
- The Female socket is mounted and soldered to the P.C.B.
- Good for insertion & withdrawal
- UL 94V-0 grade fire retardant engineering plastic used for the housing

### SPECIFICATIONS

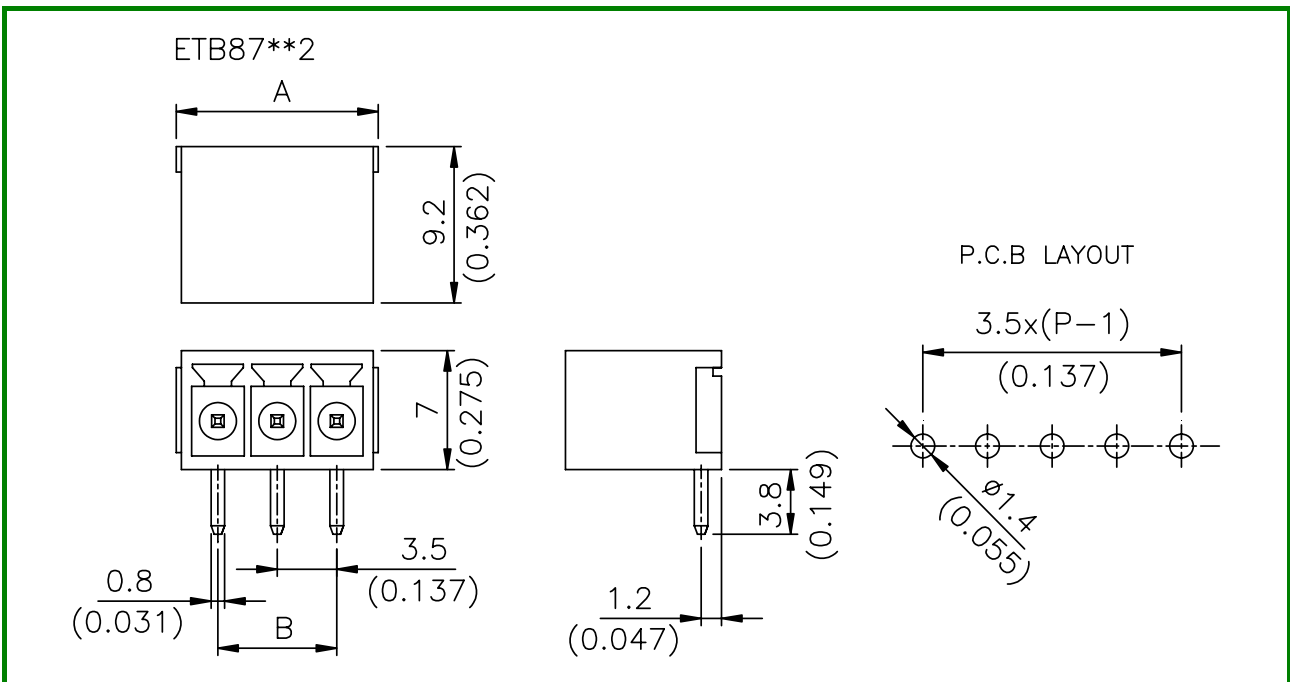
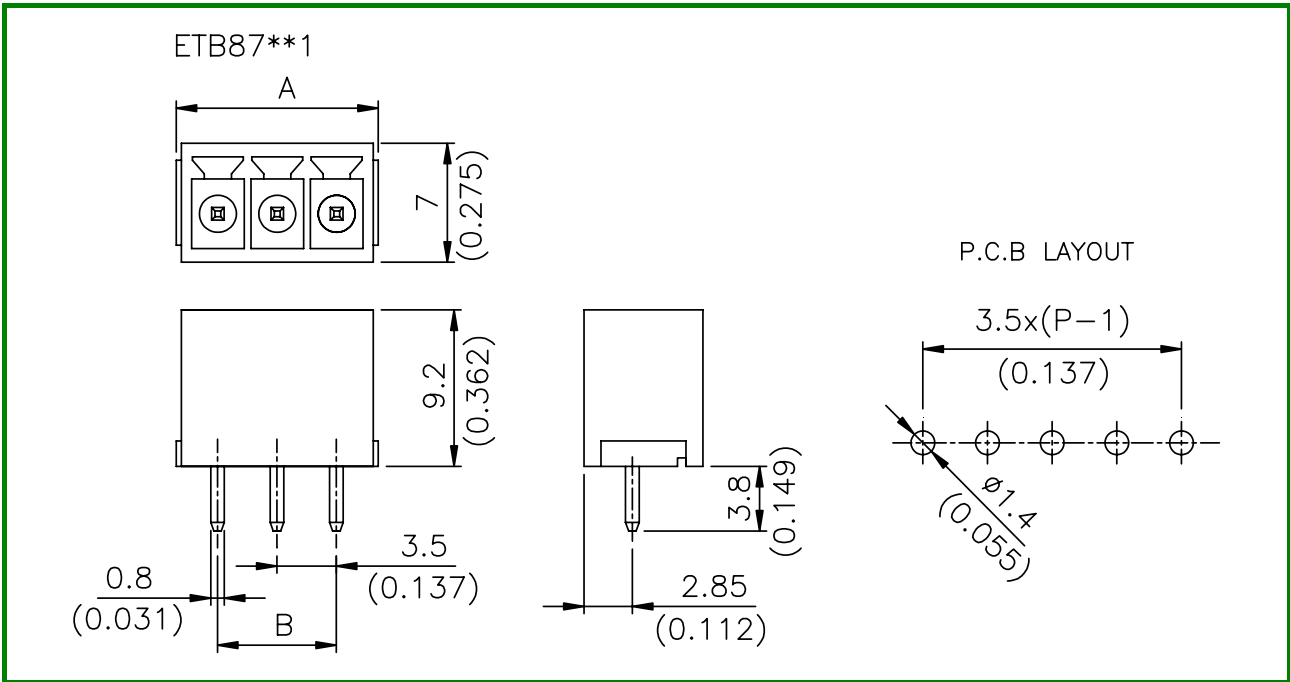
- Pitch 3.50mm
- No. of pole per block 2P to 16P
- Rating 6 Amp, 300 VAC
- Housing PA66
- Terminals Tin plated over Phosphor bronze
- Operating temperature  $-30^{\circ}\text{C} \sim +110^{\circ}\text{C}$   
(includes temperature rise limit)
- UL Approval 300V, 10A
- TUV Approval 130V, 8A Max.



### PART NUMBERING SYSTEM



## ■ DRAWING



POLE DIM.	2	3	4	5	6	7	8	9	10	11	12	13	14	15	16
A	8.4 (0.331)	11.9 (0.469)	15.4 (0.606)	18.9 (0.744)	22.4 (0.882)	25.9 (1.020)	29.4 (1.157)	32.9 (1.295)	36.4 (1.433)	39.9 (1.571)	43.4 (1.709)	46.9 (1.846)	50.4 (1.984)	53.9 (2.122)	57.4 (2.260)
B	3.5 (0.138)	7.0 (0.276)	10.5 (0.413)	14.0 (0.551)	17.5 (0.689)	21.0 (0.827)	24.5 (0.965)	28.0 (1.102)	31.5 (1.240)	35.0 (1.378)	38.5 (1.516)	42.0 (1.654)	45.5 (1.792)	49.0 (1.929)	52.5 (2.067)