



Terminal Block

PLUG IN TYPE TERMINAL BLOCK

E133988(R)

ETB84 SERIES

MOUNT TYPE

PITCH=5.0mm

FEATURES

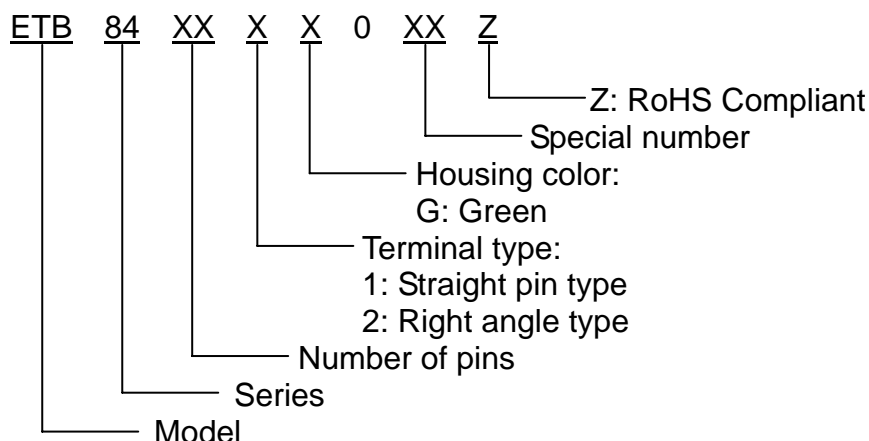
- The Female socket is mounted and soldered to the P.C.B.
- The Male connector of plug using a twin leaf phosphor bronze contact mates with the Female socket
- UL 94V-0 grade fire retardant engineering plastic used for the housing
- ETB82 / ETB6H series Male connector plug in with the Female socket ETB84 series
- Good for insertion & withdrawal

SPECIFICATIONS

- Pitch 5.0mm
- No. of pin per block 2P to 16P
- Rating 10 Amp, 300 VAC
- Housing PA66
- Terminals Tin plated over Phosphor bronze
- Operating temperature -30°C ~ +110°C
(includes temperature rise limit)
- UL Approval 300V, 10A

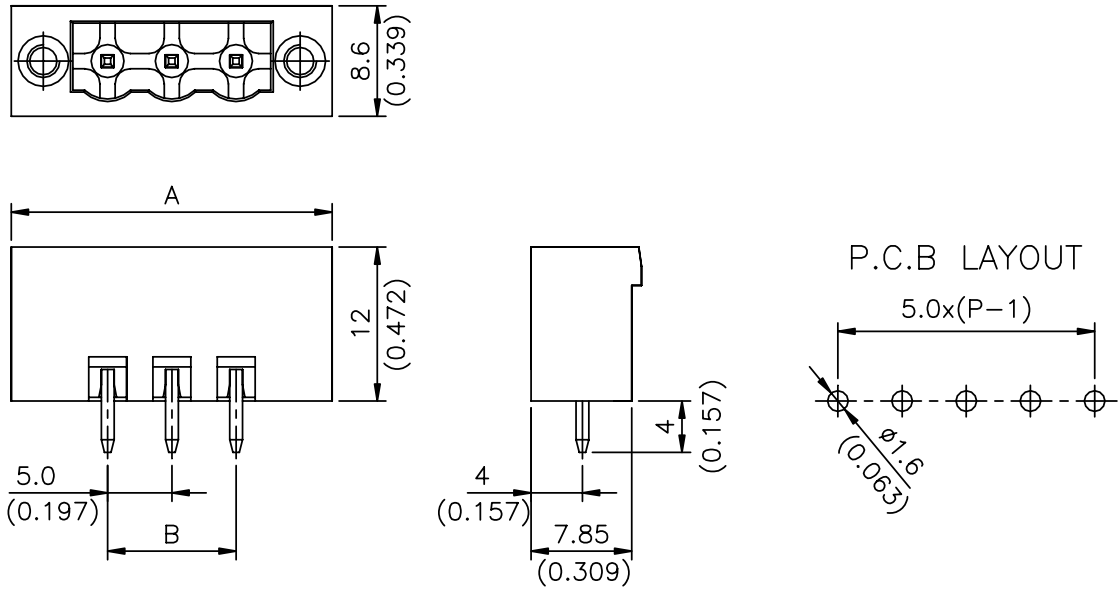


PART NUMBERING SYSTEM

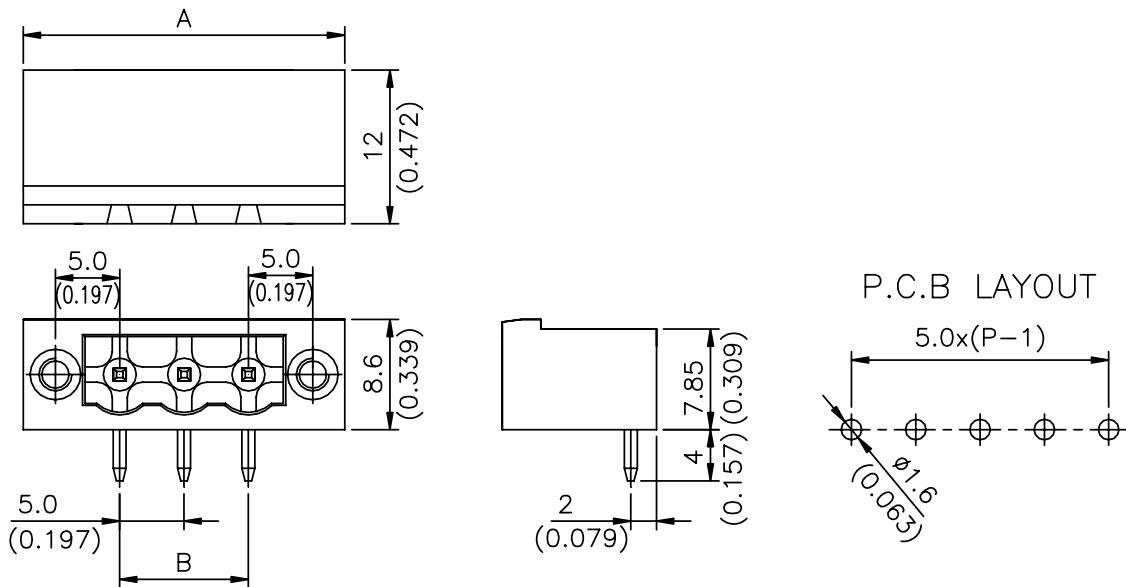


■ DRAWING

ETB84**1



ETB84**2



POLE DIM.	2	3	4	5	6	7	8	9	10	11	12	13	14	15	16
A	20 (0.787)	25 (0.984)	30 (1.181)	35 (1.378)	40 (1.575)	45 (1.772)	50 (1.969)	55 (2.165)	60 (2.362)	65 (2.559)	70 (2.756)	75 (2.953)	80 (3.150)	85 (3.346)	90 (3.543)
B	5 (0.197)	10 (0.394)	15 (0.591)	20 (0.787)	25 (0.984)	30 (1.181)	35 (1.378)	40 (1.575)	45 (1.772)	50 (1.969)	55 (2.165)	60 (2.362)	65 (2.559)	70 (2.756)	75 (2.953)