


## PLUG IN TYPE TERMINAL BLOCK

 E133988(R)

ETB4B SERIES

MOUNT TYPE

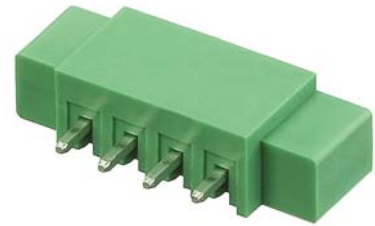
PITCH=3.81mm

### FEATURES

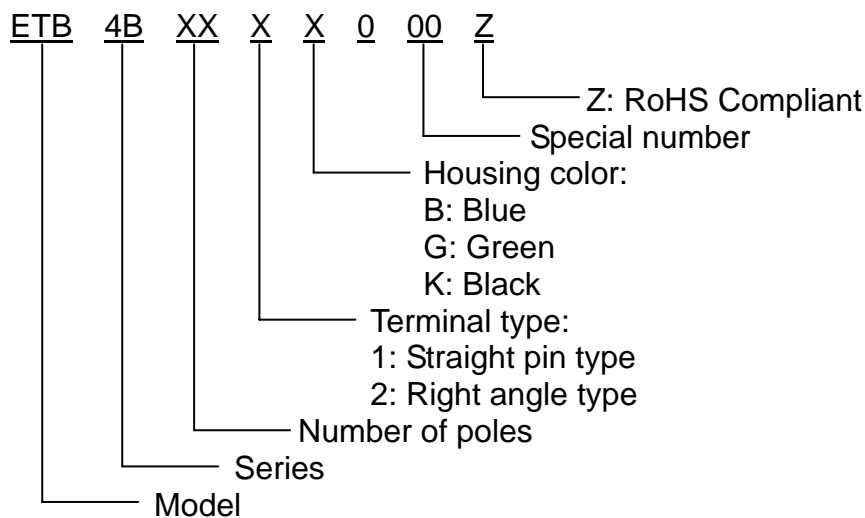
- Special wire protector design to ensure reliable wire clamping
- Be capable of clamping a wide range of wire diameters
- The Male connector of plug using a twin leaf phosphor bronze contact mates with the Female socket
- The Female socket is mounted and soldered to the P.C.B.
- Good for insertion & withdrawal
- UL 94V-0 grade fire retardant engineering plastic used for the housing

### SPECIFICATIONS

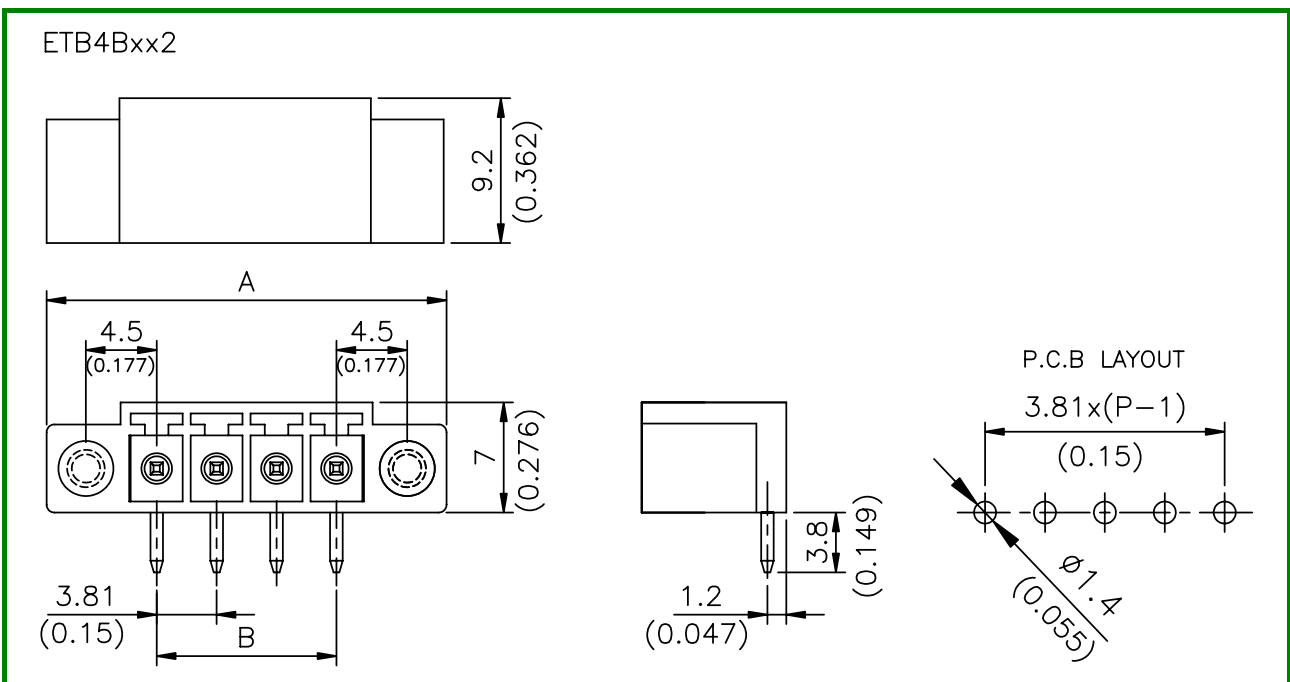
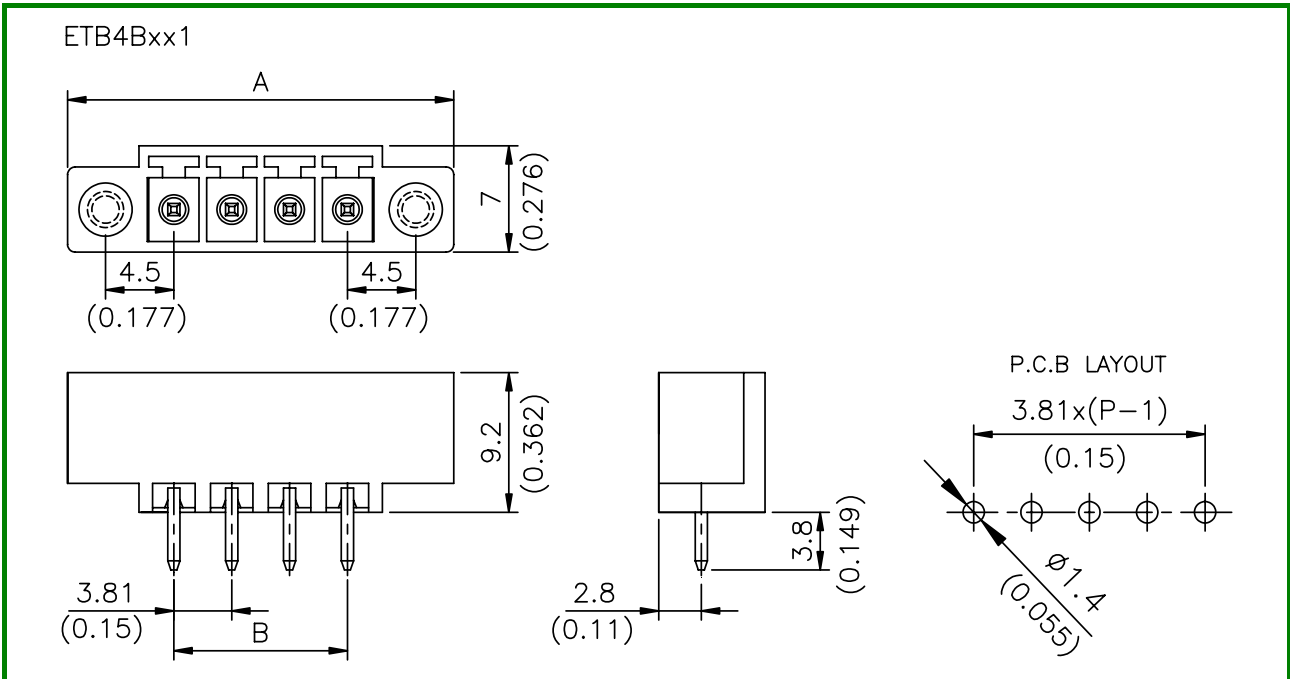
- Pitch 3.81mm
- No. of pole per block 2P to 16P
- Rating 8 Amp, 300 VAC
- Housing PA66
- Terminals Tin plated over Phosphor bronze
- Operating temperature -30°C~+110°C  
(includes temperature rise limit)
- UL Approval 300V, 8A



### PART NUMBERING SYSTEM



## DRAWING



POLE DIM.	2	3	4	5	6	7	8	9	10	11	12	13	14	15	16
A	17.81 (0.701)	21.62 (0.851)	25.43 (1.001)	29.24 (1.151)	33.05 (1.301)	36.86 (1.451)	40.67 (1.601)	44.48 (1.751)	48.29 (1.901)	52.10 (2.051)	55.91 (2.201)	59.72 (2.351)	63.53 (2.501)	67.34 (2.651)	71.15 (2.801)
B	3.81 (0.150)	7.62 (0.300)	11.43 (0.450)	15.24 (0.600)	19.05 (0.750)	22.86 (0.900)	26.67 (1.050)	30.48 (1.200)	34.29 (1.350)	38.10 (1.500)	41.91 (1.650)	45.72 (1.800)	49.53 (1.950)	53.34 (2.100)	57.15 (2.250)