

**UNIVERSAL SERIAL BUS CONNECTORS  
USB CONNECTORS  
ESB0 SERIES**

**FEATURES**

- Both USB A Type and B Type are USB 2.0 approval.
- Raised design provides easy insertion and withdrawal, and guarantee even high reliability.
- Design of three certain restraints provides robust structure.
- Gold plated contact to ensure low contact resistance.
- All materials are UL 94V-0 grade fire retardant.
- Up to 5 meters per cable segment.
- To make sure your connections are perfect every time.

**APPLICATIONS**

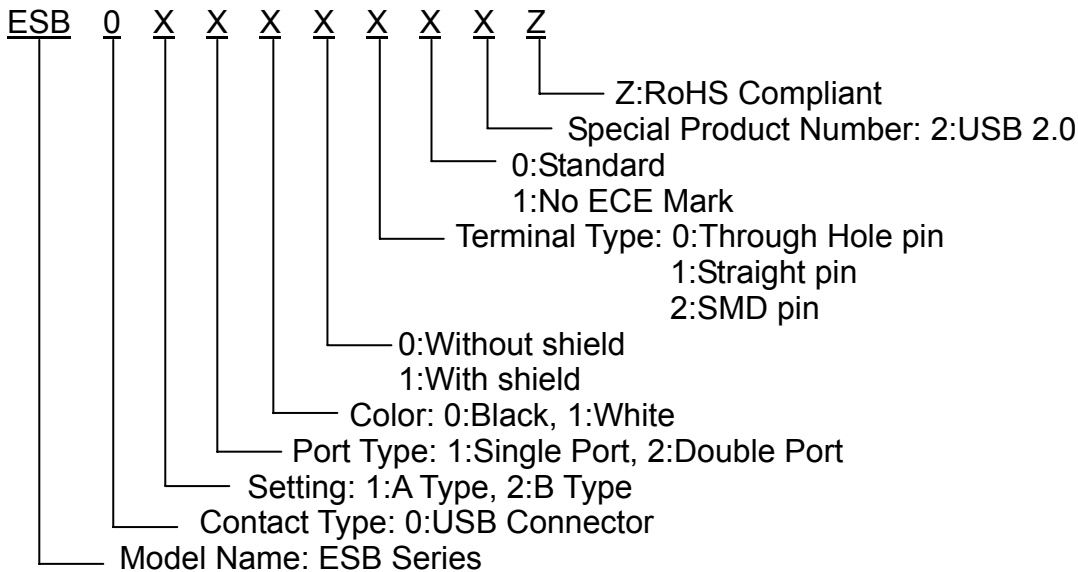
- PCs peripheral equipment (modem, scanner, HDTV, printer, phone/answering, keyboard, mouse, game controller, digital audio)

**SPECIFICATIONS**

ELECTRICAL	
Voltage rating	30 VAC (rms)
Current rating	1 Amp
Contact resistance	30 mΩ Max.
Insulation resistance	1000 MΩ Min.
Dielectric strength	750 VAC Min.

MECHANICAL	
Durability	1500 cycles
Mating force	35N Max.
Unmating force	10N Min.
Temperature	storage -40°C to + 60°C
	operating 0°C to + 40°C

**PART NUMBERING SYSTEM**



**■ DIMENSIONS UNIT:mm**

**ESB 021x01**



**ESB 021x12x2**



**ESB 011**



**ESB 012**



**ESB 021**



**ESB 011x1**



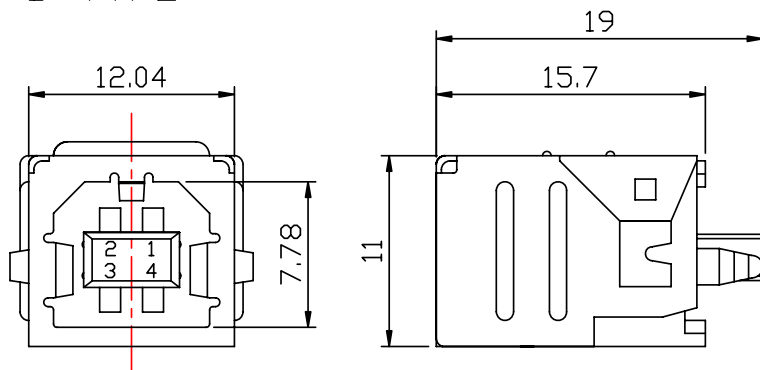
**EB 012x1**



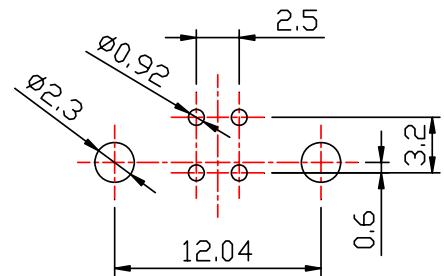
**ESB 021x1**



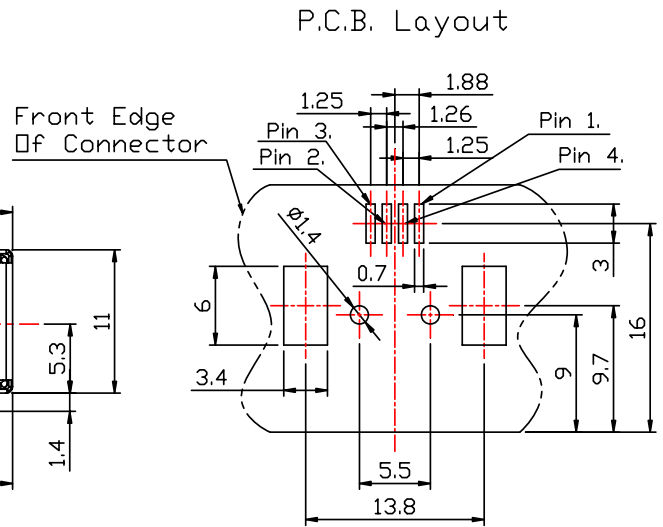
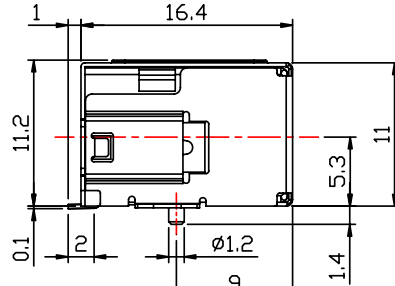
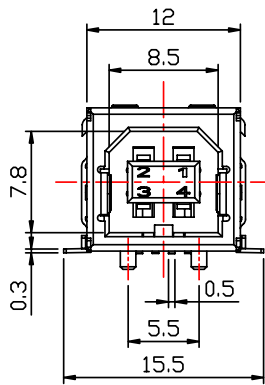
ESB021x01  
Straight Pin Type  
B TYPE



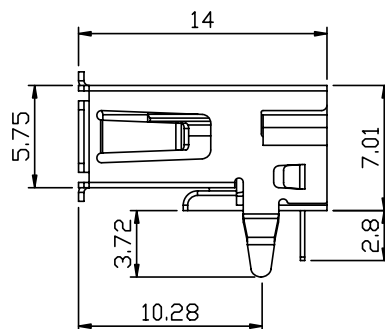
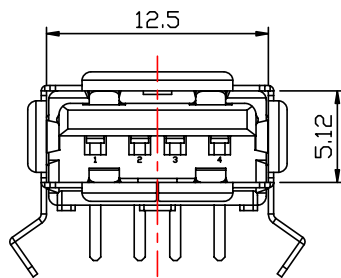
P.C.B. Layout



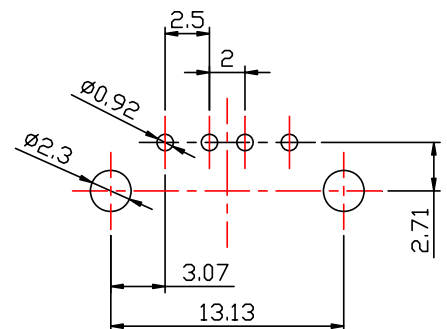
ESB021x12x2  
SMT Type  
B TYPE



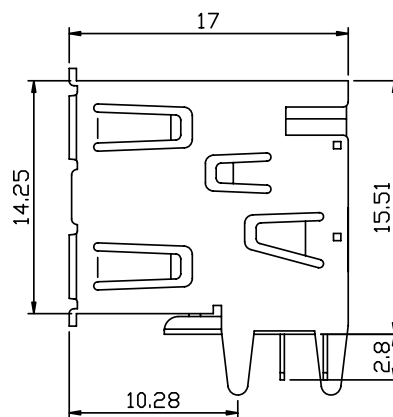
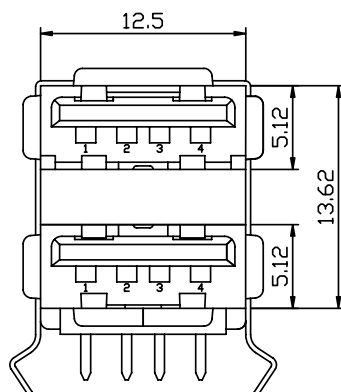
ESB011  
Right Angle Type  
A TYPE Single port



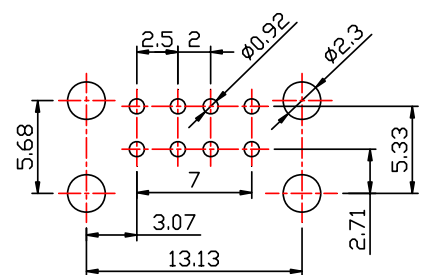
P.C.B. Layout



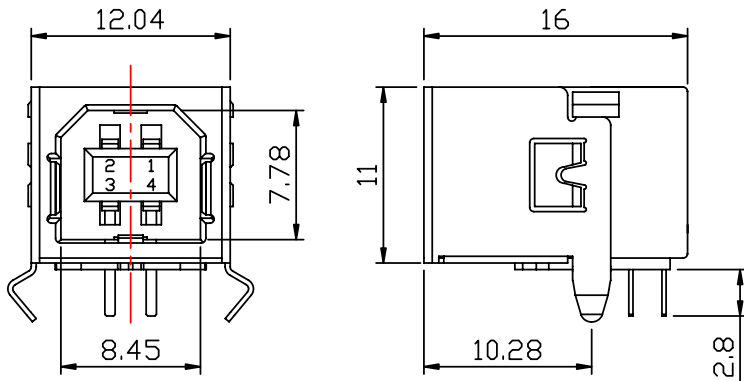
ESB012  
Right Angle Type  
A TYPE Double port



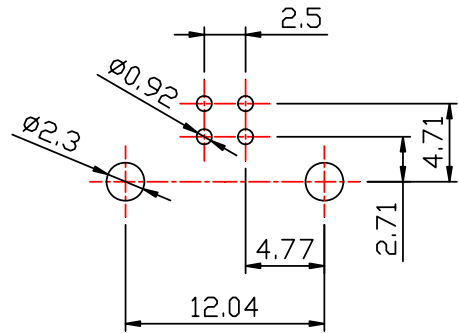
P.C.B. Layout



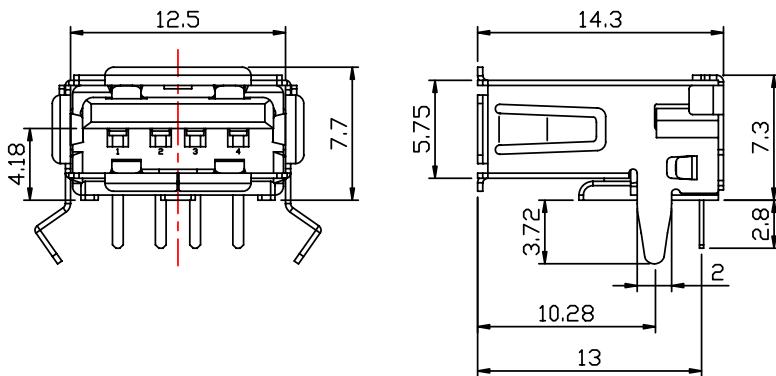
ESB021  
Right Angle Type  
B TYPE



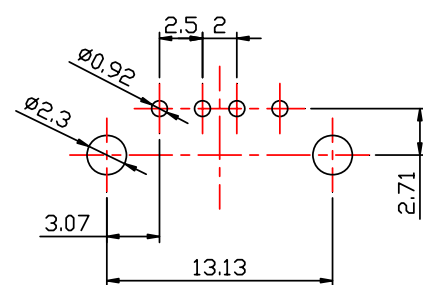
P.C.B. Layout



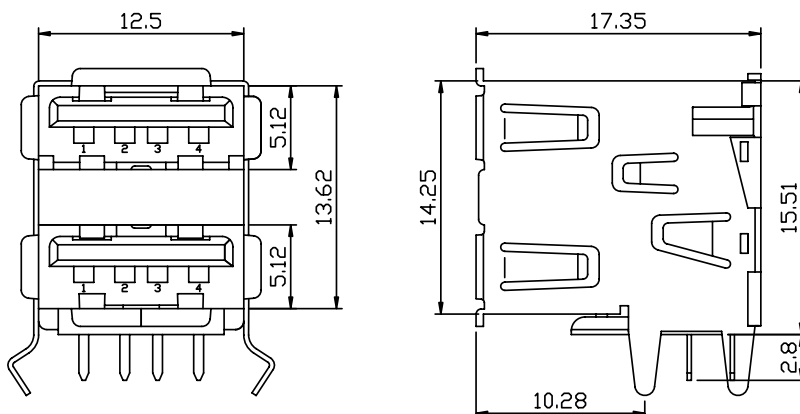
ESB011x1  
Right Angle Type / With Shield  
A TYPE Single port



P.C.B. Layout



ESB012x1  
Right Angle Type / With Shield  
A TYPE Double port



P.C.B. Layout

