



## Contact Spacing 2.54mm, Board To Board Connectors EBB18 SERIES (Pin Header)

### ■ FEATURES

- Available in Straight, Right angle
- Contact spacing: 2.54mm
- No. of contacts: 02~50 pin. / per row
- Packaging: Bag or Tube

### ■ SPECIFICATIONS

#### 1.ELECTRICAL

- Current rating: 1.0~3.0A (see drawing)
- Contact resistance: 20mΩ max.
- Insulation resistance: 1000~5000MΩ min. (see drawing)
- Operating Temperature: -40 to +105°C

### ■ MATERIALS

#### 1.MATERIAL

- Contacts: Brass, Copper Alloy
- Insulator Housing:  
High Temp Thermoplastic

#### 2.PLATING

##### Contact:

- Nickel In All Area
- Gold over Nickel. (RoHS Compliant)
- Tin over Nickel. (RoHS Compliant)

### ■ PACKING

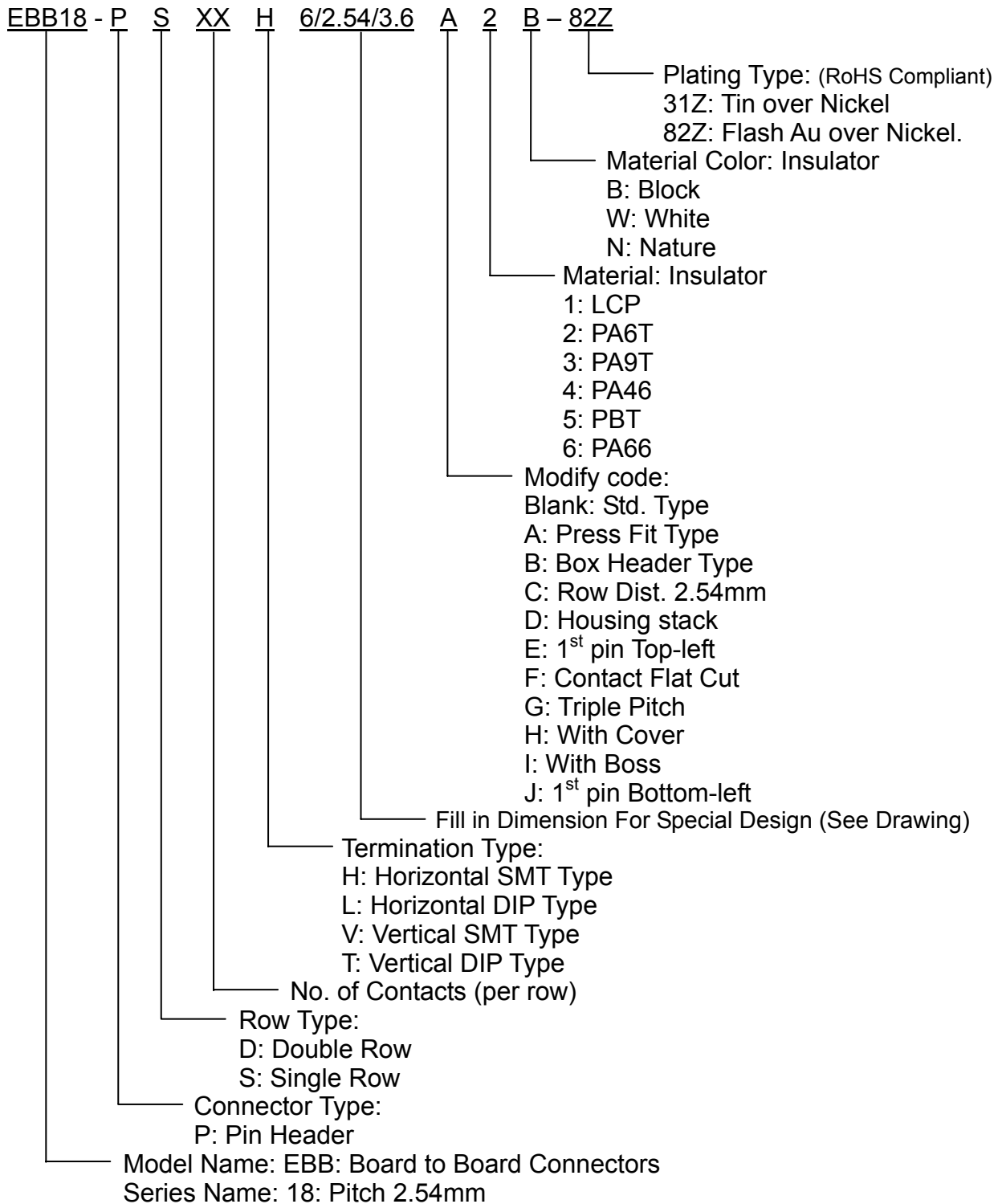
#### 1.Packing method

1-1.Packaging: Bag or Tube

#### 2.Information on label (stuck to each ploy bag, reel and box)

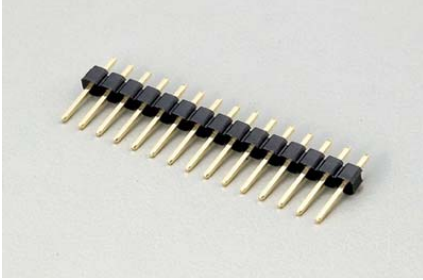
(1)Part NO.      (2)Section.      (3)Lot NO.      (4)Quantity.  
(5)QC stamp.    (6)Reprocess NO.    (7)ECE mark.

## ■ PART NUMBERING SYSTEM

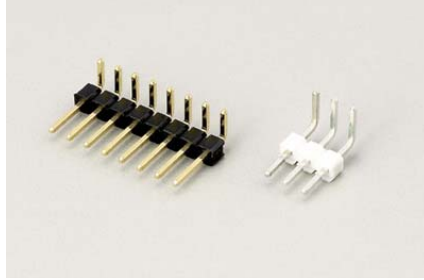


**■ DIMENSIONS UNIT:mm**

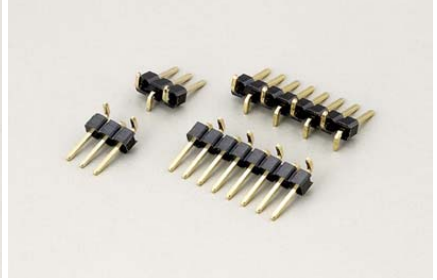
**Pin Header Single Row  
Straight**



**Pin Header Single Row  
Right Angle**



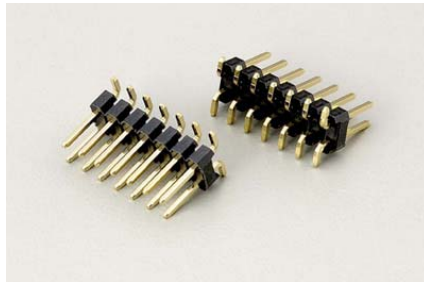
**Pin Header Single Row  
SMT**



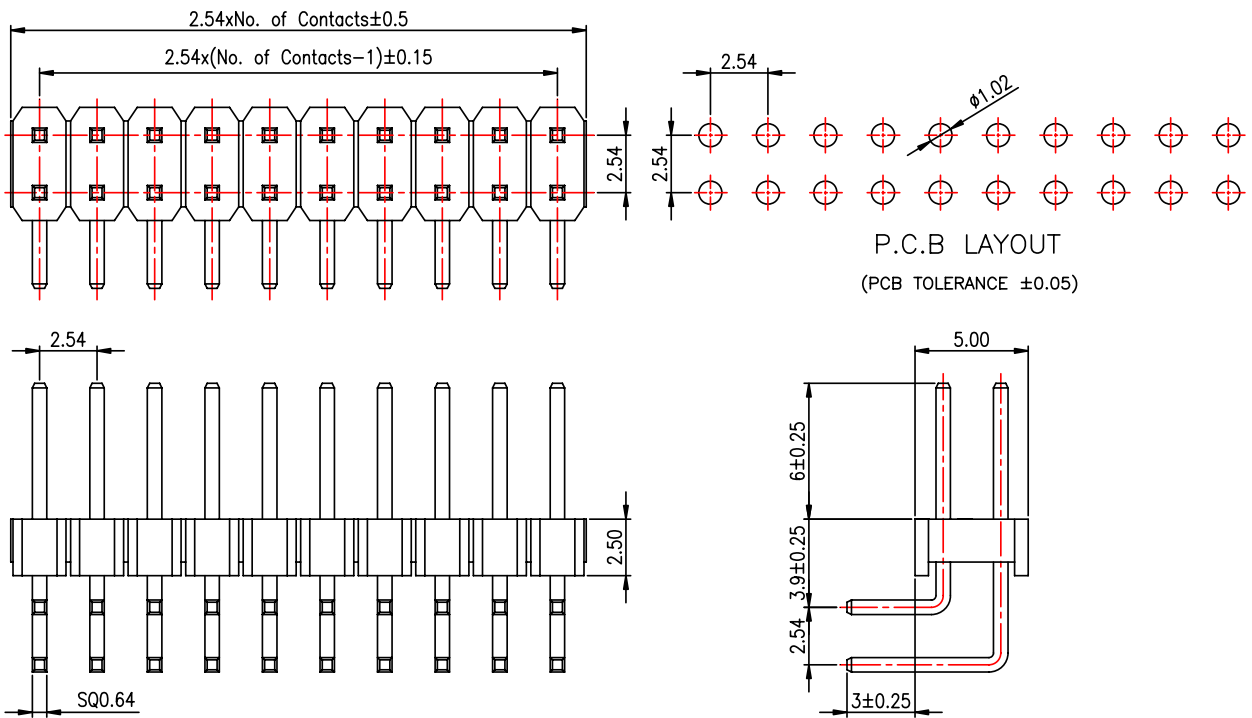
**Pin Header Dual Row  
Right Angle**



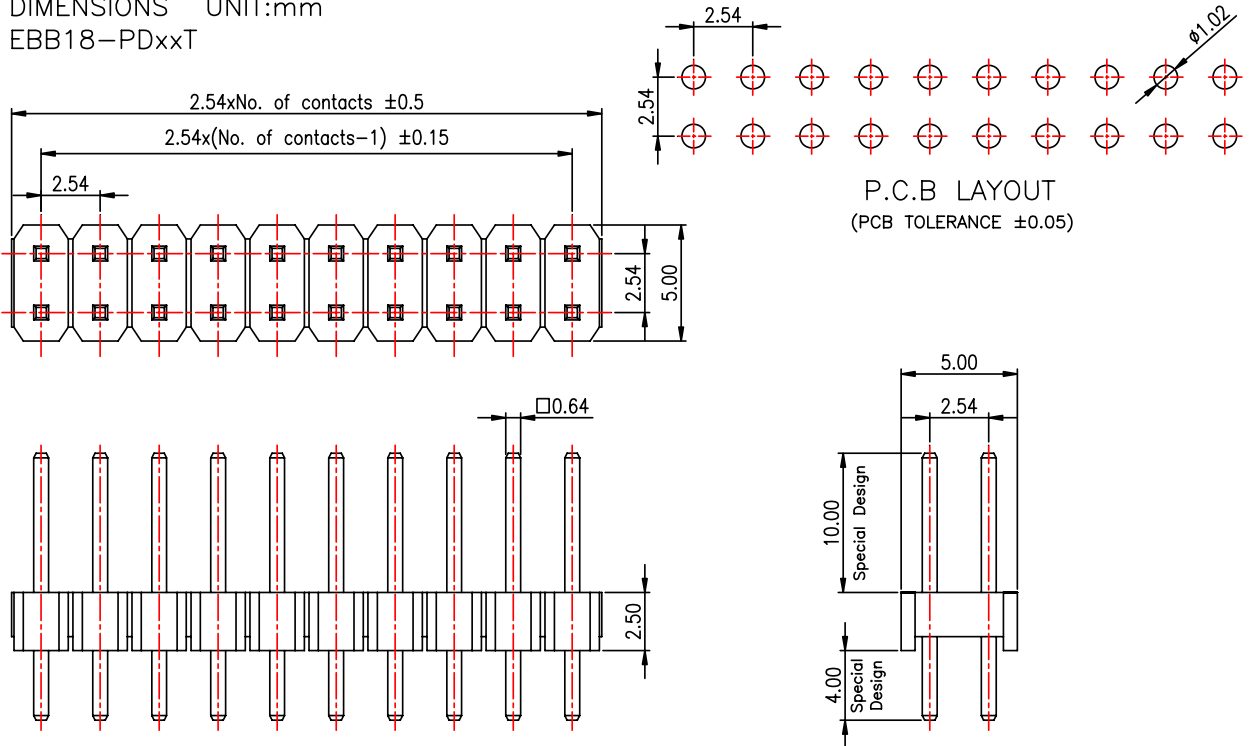
**Pin Header Dual Row  
SMT**



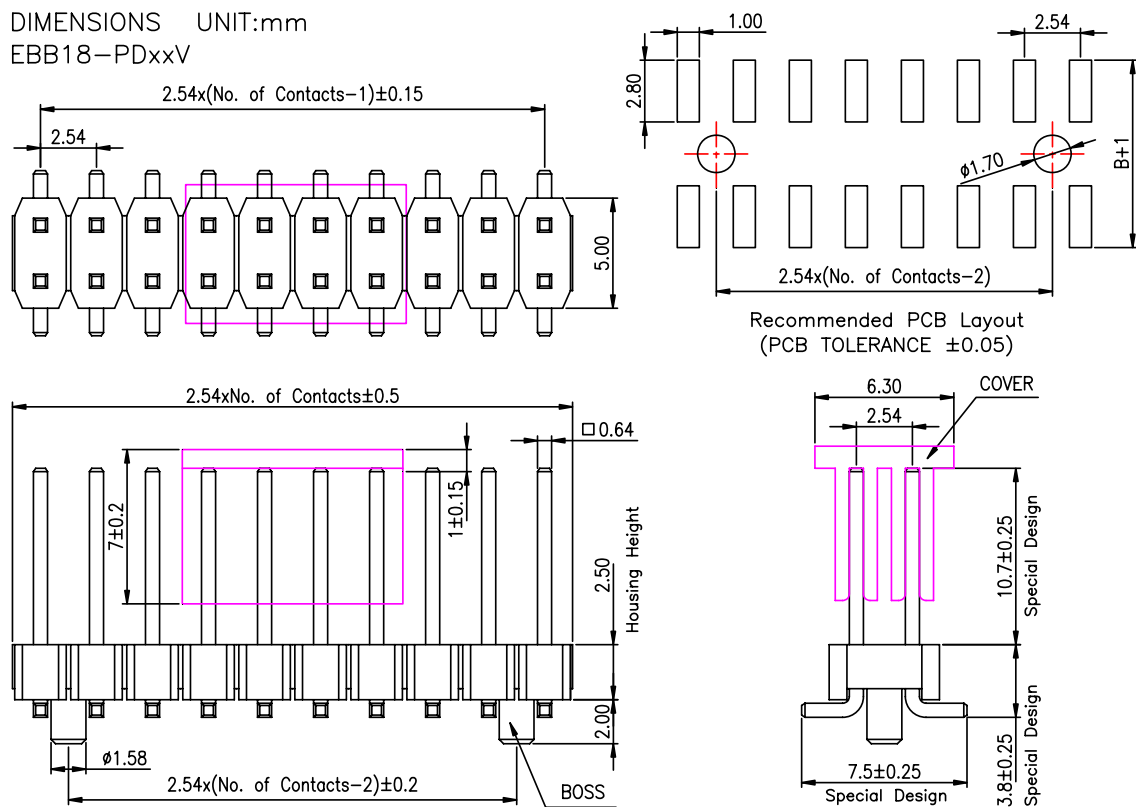
DIMENSIONS UNIT:mm  
EBB18-PDxxL



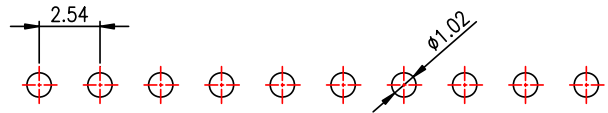
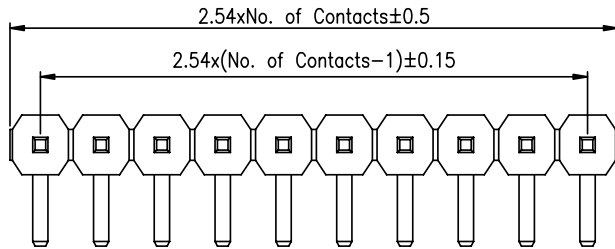
DIMENSIONS UNIT:mm  
EBB18-PDxxT



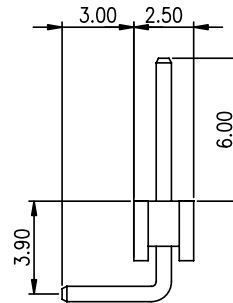
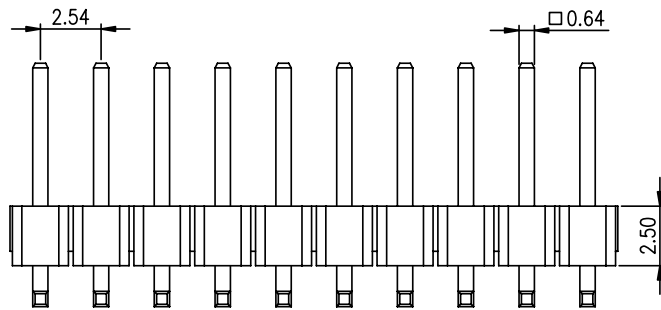
DIMENSIONS UNIT:mm  
EBB18-PDxxV



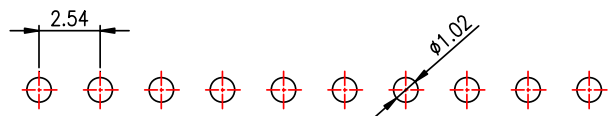
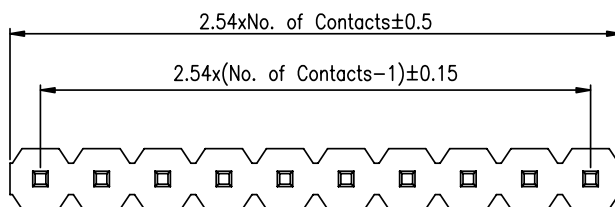
DIMENSIONS UNIT:mm  
EBB18-PSxxL



P.C.B LAYOUT  
(PCB TOLERANCE ±0.05)



DIMENSIONS UNIT:mm  
EBB18-PSxxT



P.C.B LAYOUT  
(PCB TOLERANCE ±0.05)

