



## 0.8mm Contact Spacing, Board To Board SMT Connectors

### EBB-PR22 SERIES

#### ■ FEATURES

- 0.8mm contact spacing.
- Number of contacts: 20~60 pin. (each 10 pin)
- Stacking Height: 4.85 to 17mm
- Polarization Key prevent mismatching
- Straight receptacle and right angle / straight plug for paralleled and vertical PCB connections
- Available in embossed type for automatic mounting.

#### ■ SPECIFICATIONS

##### 1.ELECTRICAL

- Voltage rating: 200VAC
- Current rating: 0.5A
- Contact resistance: 70mΩ max.
- Insulation resistance: 100MΩ min.

##### 2.MECHANICAL

- Durability: Mate & Unmate with applicability for 500 times, Contact resistance: 90mΩ max.
- Connector Mating Force: 0.1kgf\*n (1N\*n) max. (n: Pin)
- Connector Unmating Force: 0.01kgf\*n (0.098N\*n) min. (n: Pin)
- Terminal Retention Force: 0.3kgf (3N) min.

#### ■ MATERIALS

##### 1.MATERIAL

- Contacts: Copper Alloy
- Insulator Housing: High Temp. Thermoplastic
- Hold Down: Copper Alloy

##### 2.PLATING

###### Contact:

- Nickel In All Area
- Au over Nickel (RoHS Compliant)

###### Hold Down:

- Nickel In All Area
- Tin over Nickel (RoHS Compliant)

#### ■ PACKING

##### 1.Packing method

- All connector are packed in reel or tray methods.

##### 2.Information on label (stuck to each ploy bag, reel and box)

- |              |                  |              |              |
|--------------|------------------|--------------|--------------|
| (1)Part NO.  | (2)Section.      | (3)Lot NO.   | (4)Quantity. |
| (5)QC stamp. | (6)Reprocess NO. | (7)ECE mark. |              |

## ■ PART NUMBERING SYSTEM

EBB - PR22 - P 060 H4F - 3Z - E 700

No. of Connectors

1000: SxxxTx

700 / 500: SxxxT5

500: SxxxT8

200: SxxxT11

700 / 500: PxxxH4F

1000 / 500: PxxxT2

600:PxxxT6

Package Type:

E: Embossed packing

Plating Type:

3Z: Au over Nickel (RoHS Compliant)

42Z: Flash Au over Nickel (for H4F Type)  
(RoHS Compliant)

Termination Type:

H: Horizontal Type (Right Angle)

T: Vertical Type (Straight)

Mate Height		Plug		
		T2	T6	H4F (R/A)
Socket	TX	4.85	8.85	6.2
	T5	7	11	6.2
	T8	10	14	6.2
	T11	13	17	6.2

No. of Contacts:

020:20Pin. ~ 060:60Pin.

Connector Type:

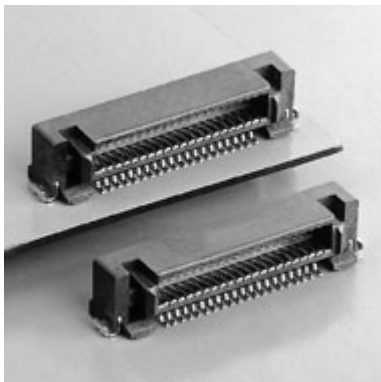
P: Plug connector

S: Socket connector

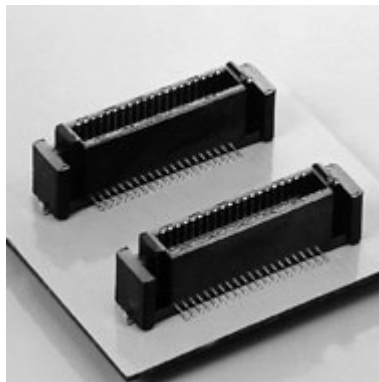
Series Name: PR22

Model Name: EBB: Board to Board Connectors

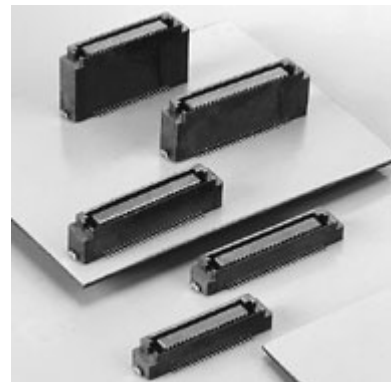
**EBB-PR22-P\*\*\*H4F**



**EBB-PR22-P\*\*\*T\***

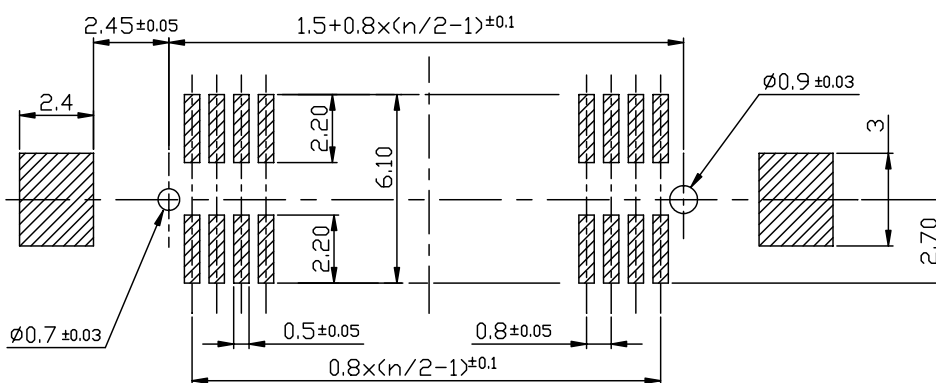
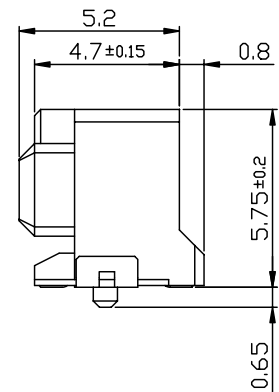
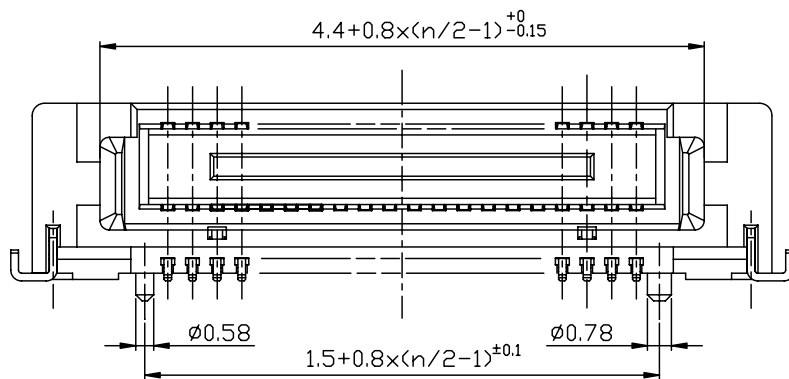
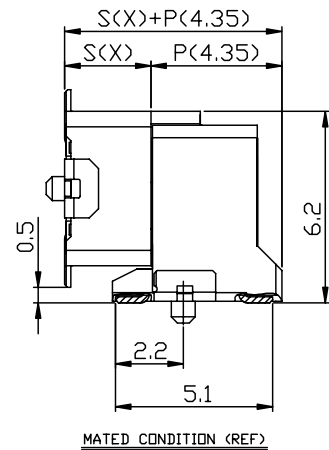
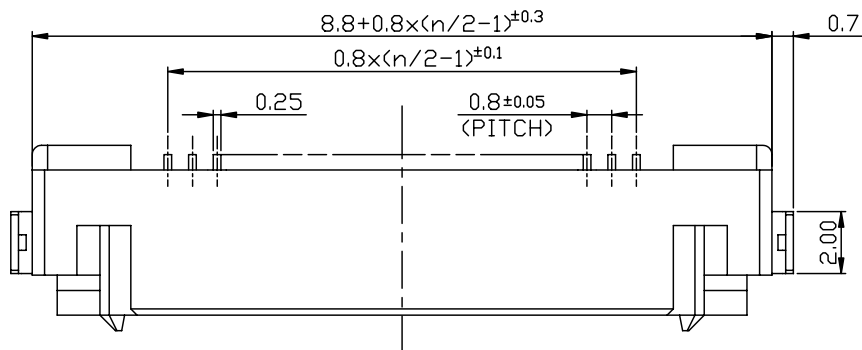


**EBB-PR22-S\*\*\*T\***



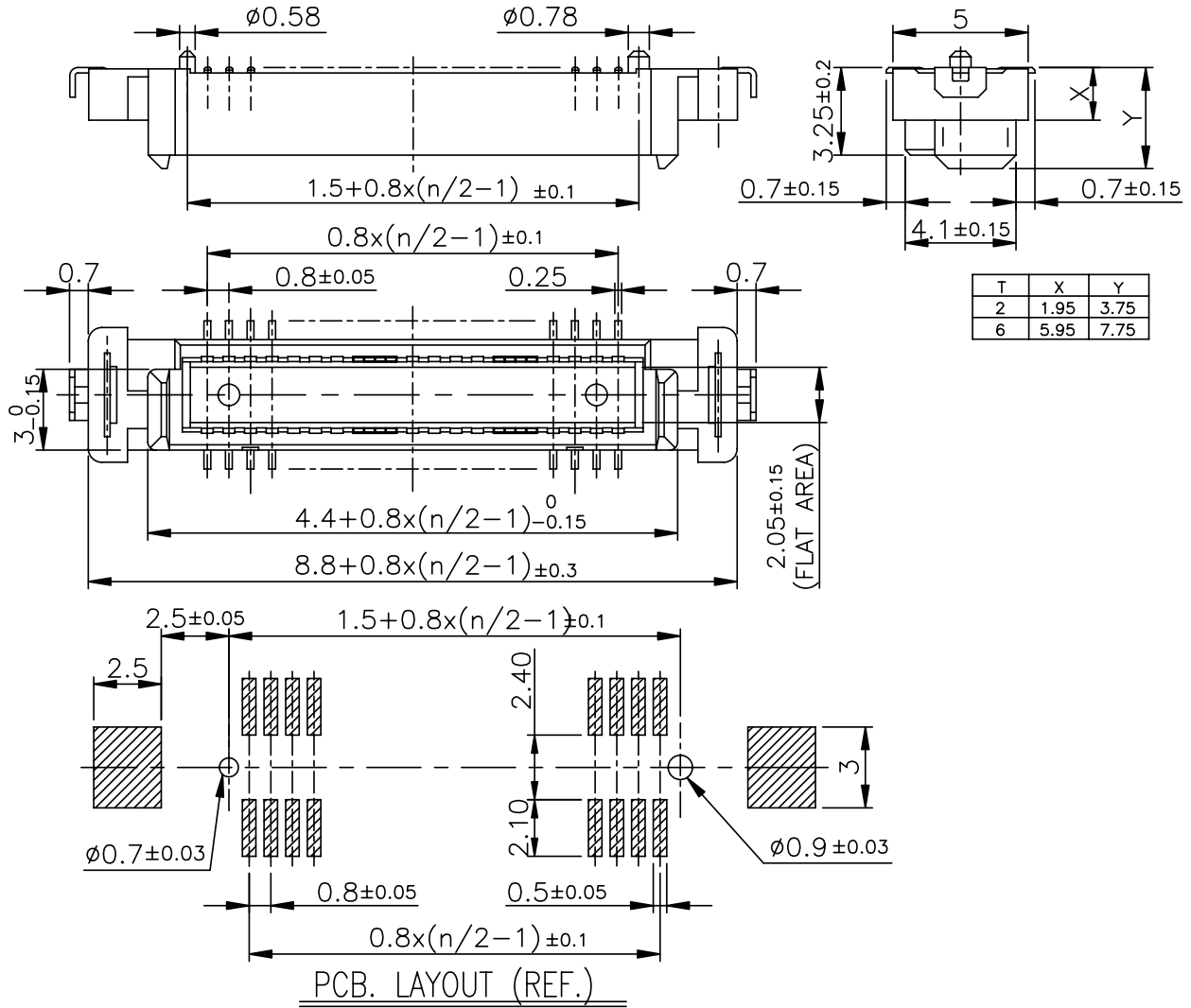
## ■ DIMENSIONS UNIT:mm

EBB-PR22-PxxxH4F UNIT:mm  
 Connection Style: Right Angle Plug



PCB PATTERN (REF)

EBB-PR22-PxxxTx UNIT:mm  
 Connection Style: Straight Plug



EBB-PR22-SxxxTx UNIT:mm  
 Connection Style: Straight Receptacle

