

ERD6 SERIES

MINIATURE SIZE □7×3 ROTARY SELECTOR SWITCH

■ FEATURES

- Low profile of 3.0mm, Outer dimension 7.2mm square
- Positions and switch code can be identified
- Pin-out compatible with most of current equivalents
- Gold plated contact area ensures reliable electric continuity for micro current
- Easy position setting with wide switching angle and high digit visibility
- All plastics are UL 94V-0 grade fire retardant
- RoHS compliant

■ APPLICATIONS

- Address switching applications
- Data storage devices
- Computer and peripherals
- Instrumentation

■ SPECIFICATIONS

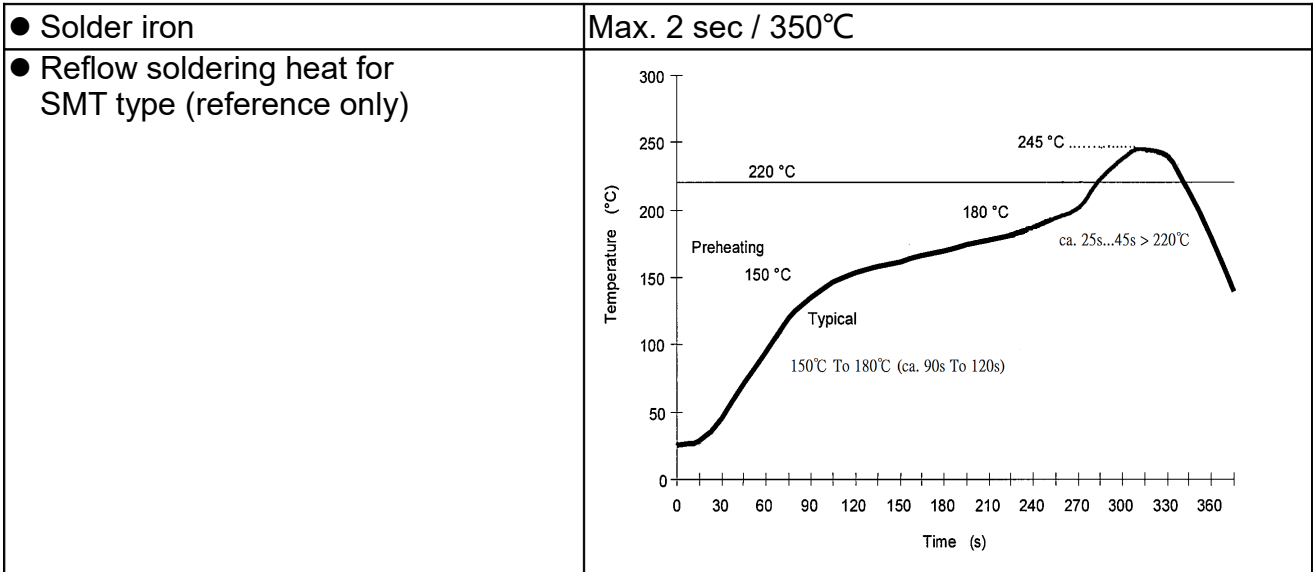
1.ELECTRICAL

● Contact rating	Max. switching load	100mA, 5VDC
	Min. switching load	10μA, 5VDC
	Max. non-switching load	100mA, 24VDC
● Contact resistance (initial)		200mΩ Max.
● Insulation resistance		100MΩ Min. at 100VDC
● Dielectric strength		250VAC (rms). for 60 seconds

2.MECHANICAL and ENVIRONMENTAL

● Temperature rating	operation	-40°C to +85°C
	storage	-40°C to +85°C
● Operation force		510gf-cm Max.
● Operation life		10,000 detents Min.
● Vibration		10Hz-55Hz-10Hz for 6Hrs.
● Solderability		After flux 245±5°C for 5±1 seconds
● Resistance to soldering heat	solder bath	260±5°C for 5±1 seconds
	solder reflow	Peak temperature 260°C Max.

3.SOLDERING PROCESS



■ PART NUMBERING SYSTEM

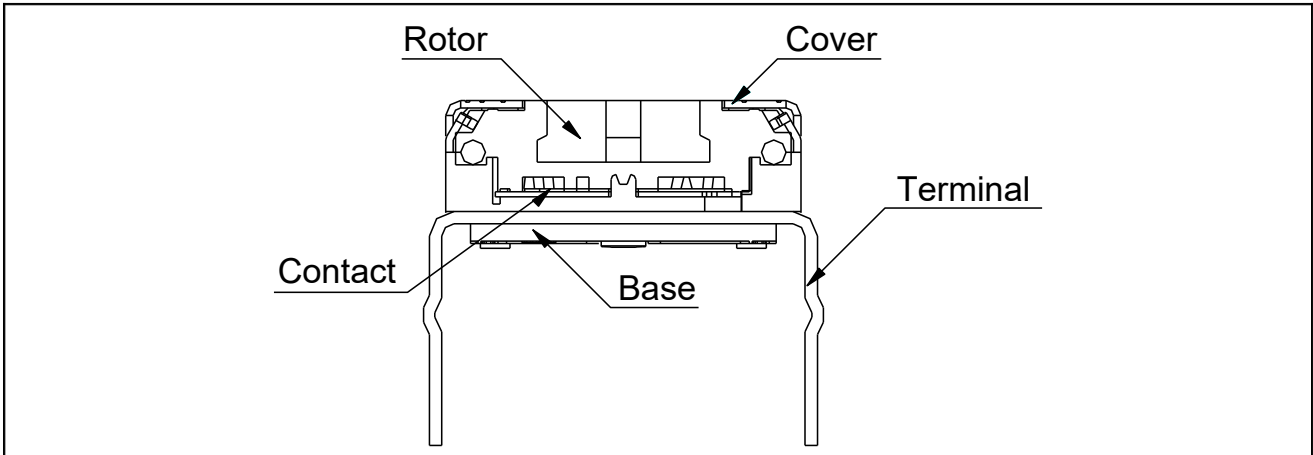
ERD6 04 A S XX Z

- Z: RoHS Compliant
- Special number
- Setting:
 - S: Through hole type with row spacing 7.62mm
 - M: Surface mounting type with gull wing
 - D: Surface mounting type with gull wing in tape & reel package
 - C: Surface mounting type with J-hook
 - E: Surface mounting type with J-hook in tape & reel package
- Code: A: Decimal-01 to Cross shaped slot
- S: Decimal-01 to Columned spindle
- D: Decimal-02 to Cross shaped slot
- L: Decimal-02 to Columned spindle
- Contact from and Positions: 04:4 Positions
- Series name: ERD6: Miniature size (7.2×7.2mm²) Rotary Selector Switch

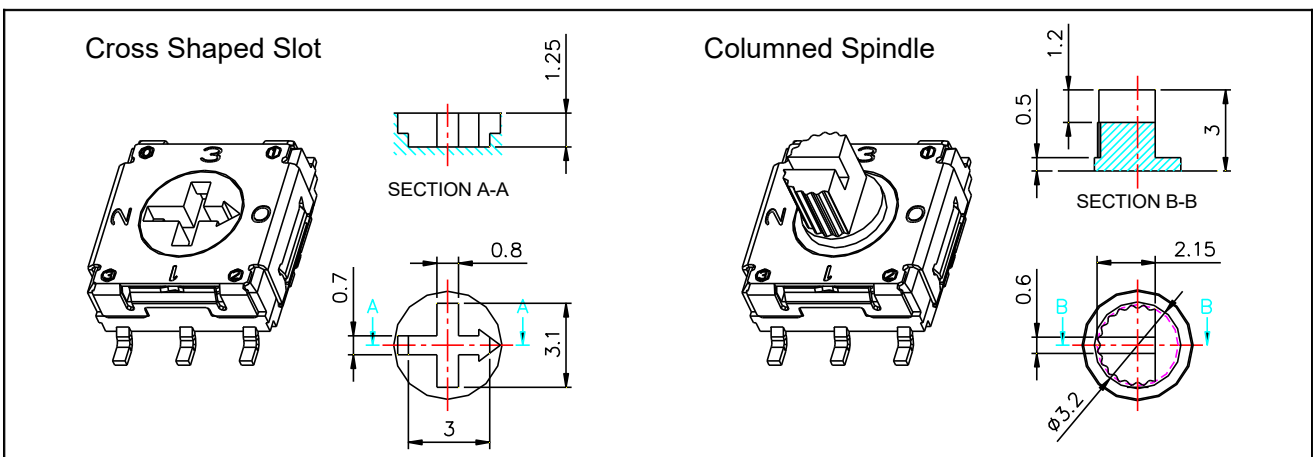
Coding tables

Decimal type 01		Decimal type 02																																																											
	<table border="1"> <thead> <tr> <th rowspan="2">PIN NO</th> <th colspan="4">POSITION</th> </tr> <tr> <th>0</th> <th>1</th> <th>2</th> <th>3</th> </tr> </thead> <tbody> <tr> <td>0</td> <td>●</td> <td></td> <td></td> <td></td> </tr> <tr> <td>1</td> <td></td> <td>●</td> <td></td> <td></td> </tr> <tr> <td>2</td> <td></td> <td></td> <td>●</td> <td></td> </tr> <tr> <td>3</td> <td></td> <td></td> <td></td> <td>●</td> </tr> </tbody> </table>	PIN NO	POSITION				0	1	2	3	0	●				1		●			2			●		3				●		<table border="1"> <thead> <tr> <th rowspan="2">PIN NO</th> <th colspan="4">POSITION</th> </tr> <tr> <th>1</th> <th>2</th> <th>3</th> <th>4</th> </tr> </thead> <tbody> <tr> <td>1</td> <td>●</td> <td></td> <td></td> <td></td> </tr> <tr> <td>2</td> <td></td> <td>●</td> <td></td> <td></td> </tr> <tr> <td>3</td> <td></td> <td></td> <td>●</td> <td></td> </tr> <tr> <td>4</td> <td></td> <td></td> <td></td> <td>●</td> </tr> </tbody> </table>	PIN NO	POSITION				1	2	3	4	1	●				2		●			3			●		4				●
PIN NO	POSITION																																																												
	0	1	2	3																																																									
0	●																																																												
1		●																																																											
2			●																																																										
3				●																																																									
PIN NO	POSITION																																																												
	1	2	3	4																																																									
1	●																																																												
2		●																																																											
3			●																																																										
4				●																																																									

CONSTRUCTION

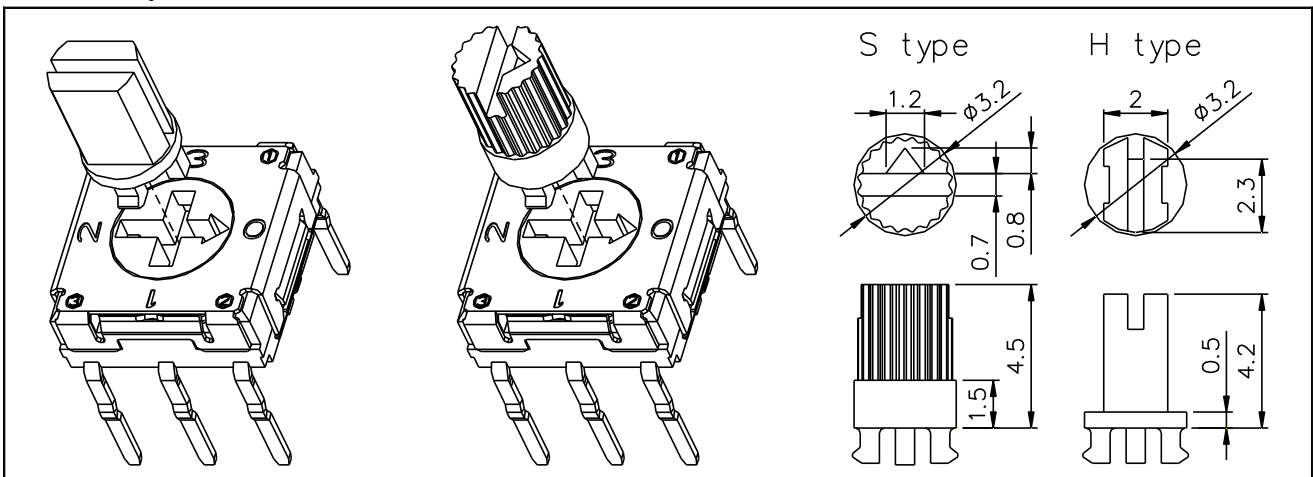


ACTUATORS



OPTIONS

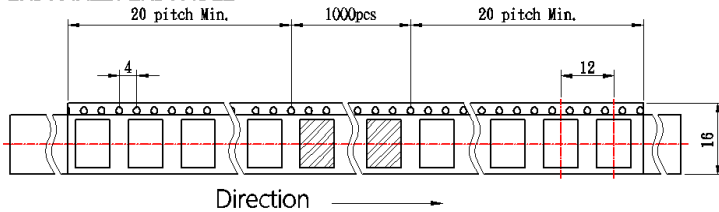
- 1.Special marking available
- 2.Auxiliary actuators



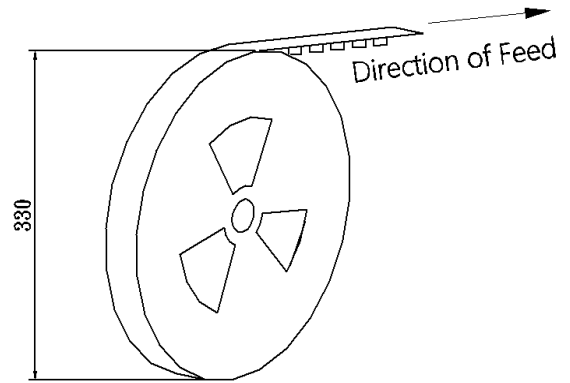
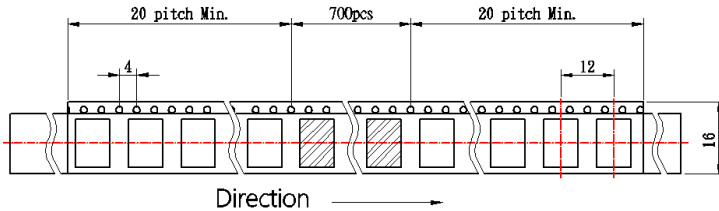
PACKING

Type	Package	Number of pcs. Per IC Tube	Number of pcs. Per Reel
Through Hole Type		70	-
Surface Mounting Type (Cross shaped slot)		70	1000
Surface Mounting Type (Columned spindle)		70	700

ERD604ADZ / ERD604DDZ
ERD604AEZ / ERD604DEZ



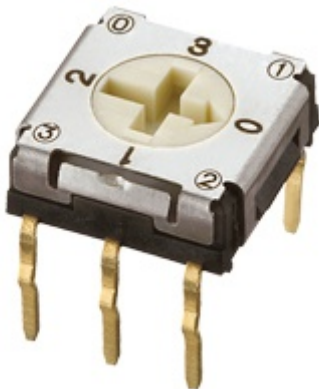
ERD604SDZ / ERD604LDZ
ERD604SEZ / ERD604LEZ



QUICK SELECTION GUIDE

SIZE	POSITIONS	CIRCUIT TYPE	SETTING POSITION	PIN OUT	SHAPE OF TERMINAL	PART NUMBER
7.2×7.2	4	1 POLE 4 CONTACTS	TOP SETTING	3:3	TH WITH ROW SPACING 7.62mm	ERD604XSZ
					SMT WITH GULL WING	ERD604XMZ
					SMT WITH GULL WING IN T&R	ERD604XDZ
					SMT WITH J-HOOK	ERD604XCZ
					SMT WITH J-HOOK IN T&R	ERD604XEZ

Through hole (TH)



Gull wing (SMT)

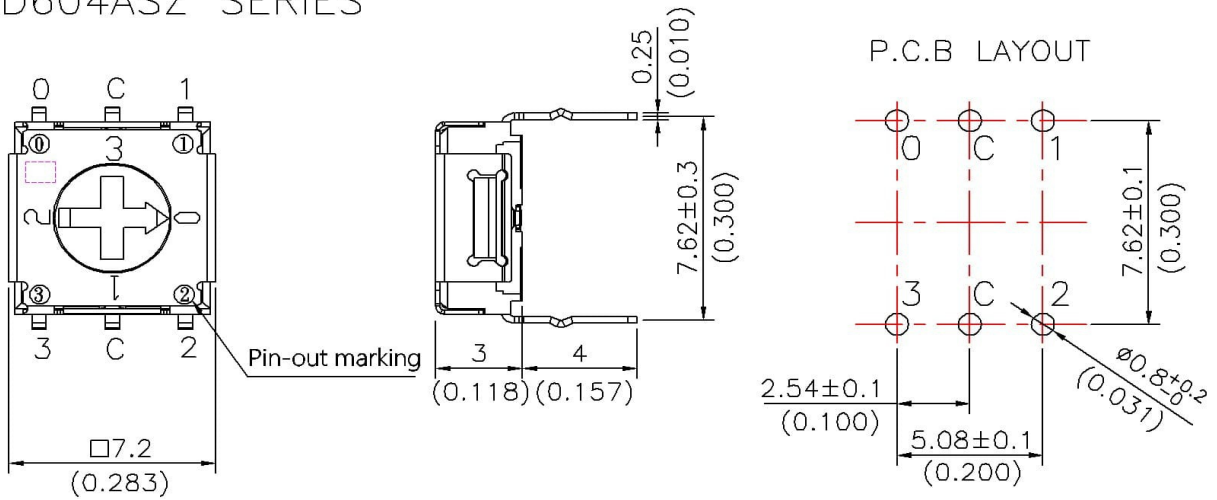


J-Hook (SMT)

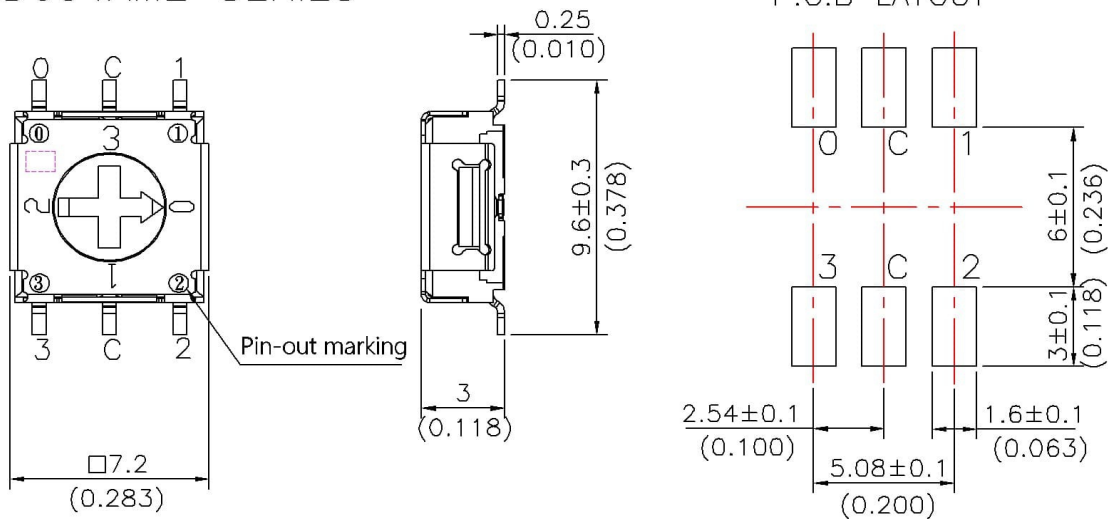


■ DIMENSIONS AND CIRCUITRY

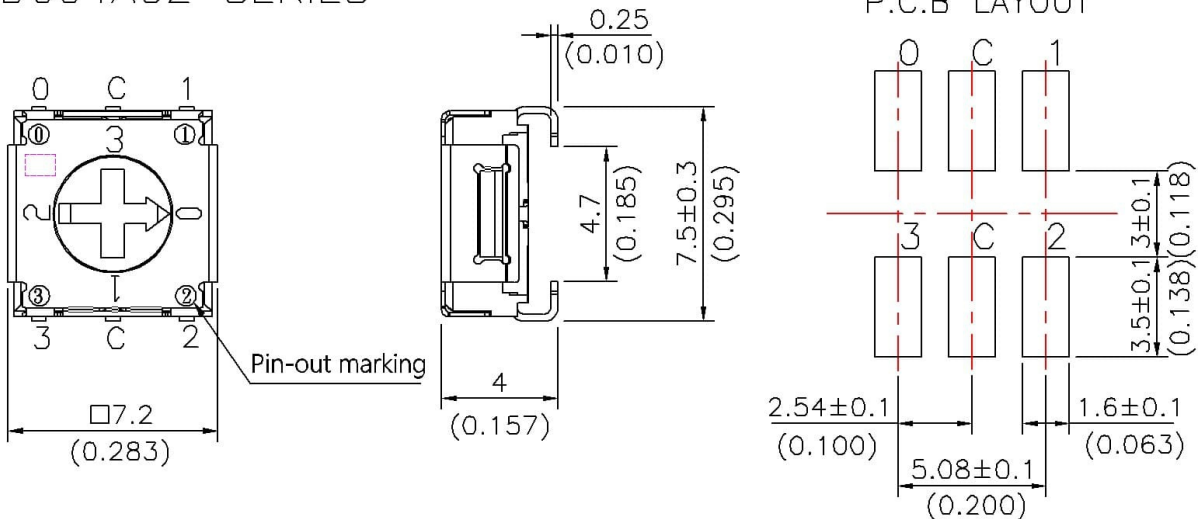
ERD604ASZ SERIES



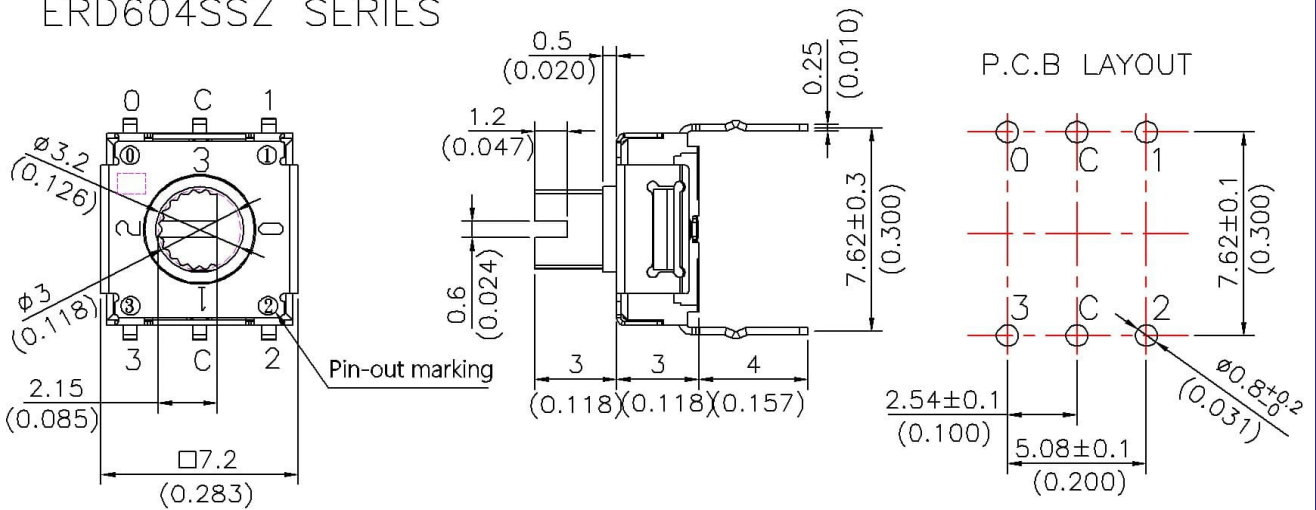
ERD604AMZ SERIES



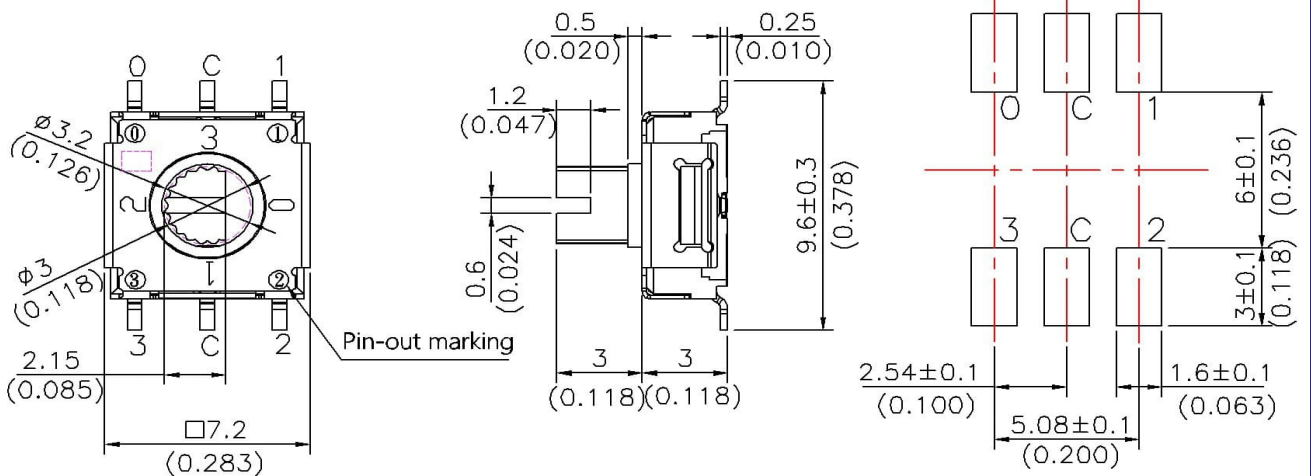
ERD604ACZ SERIES



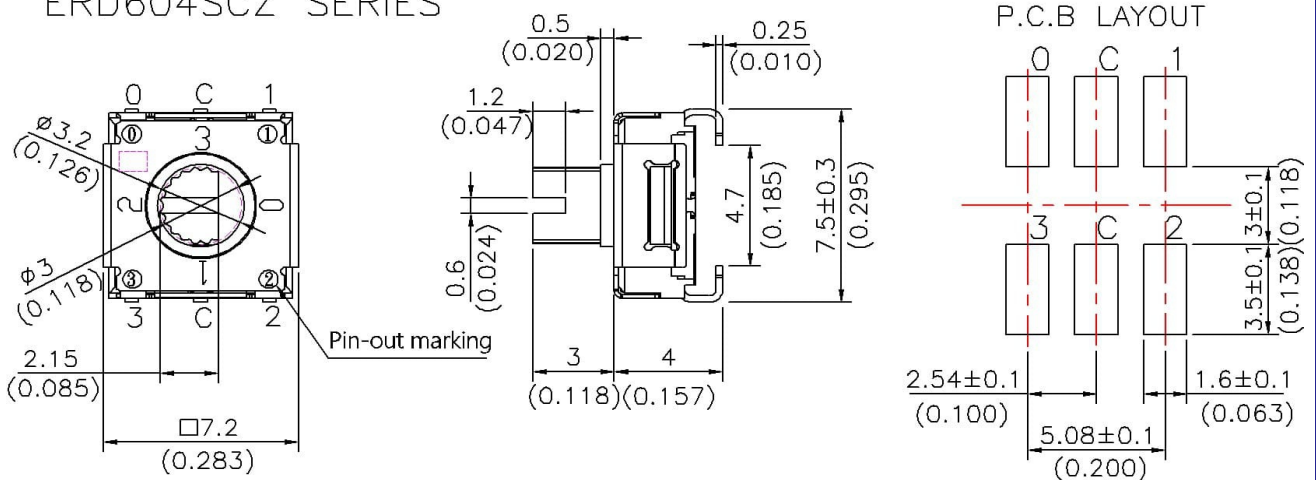
ERD604SSZ SERIES



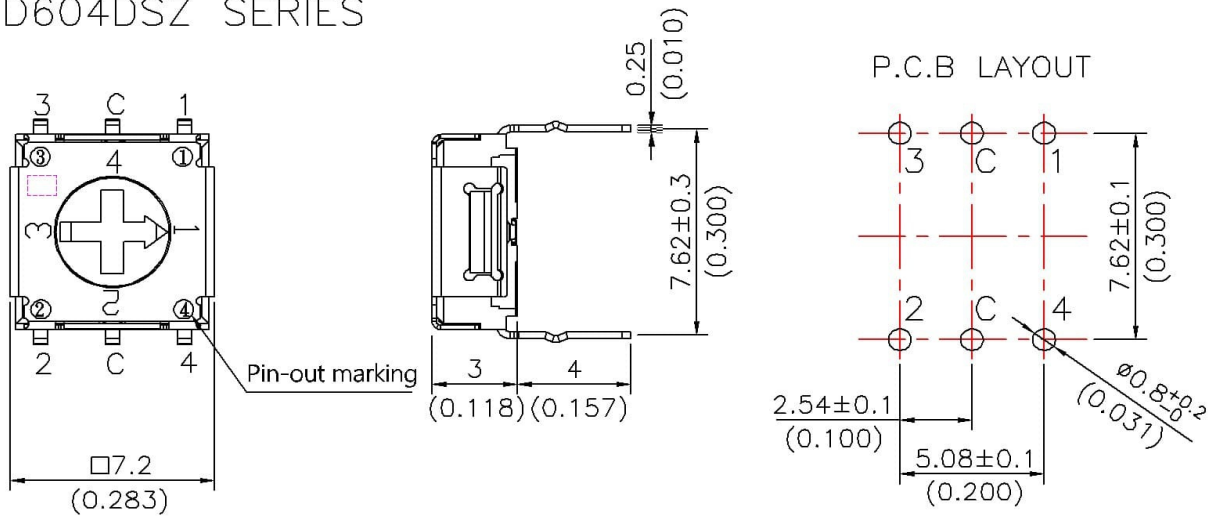
ERD604SMZ SERIES



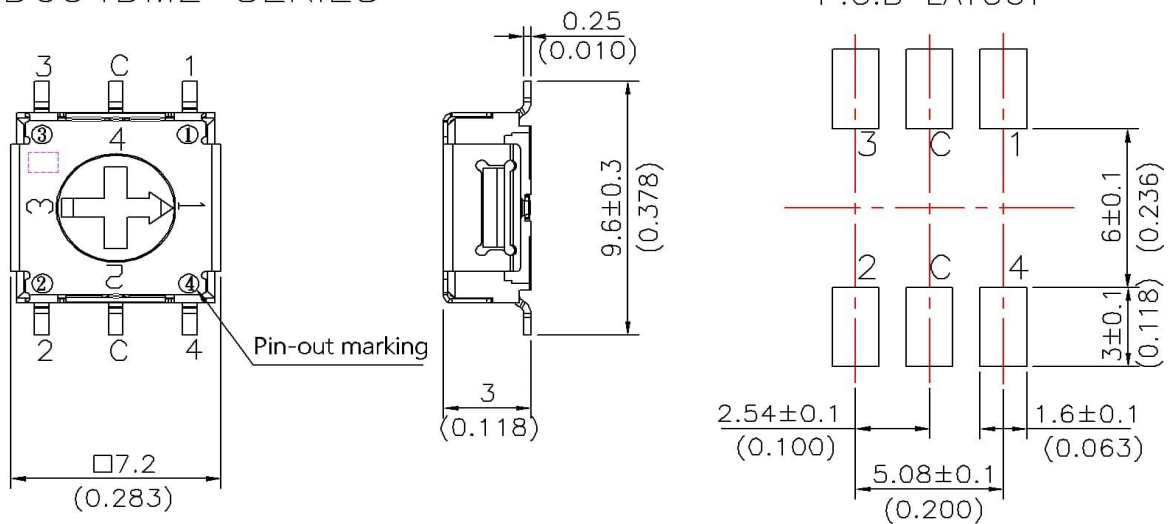
ERD604SCZ SERIES



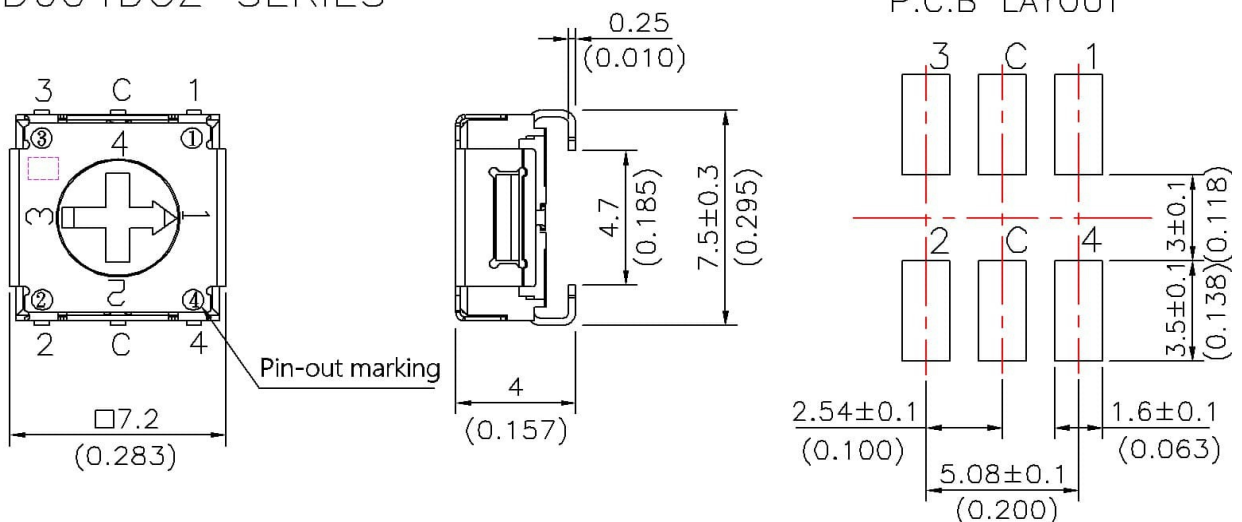
ERD604DSZ SERIES



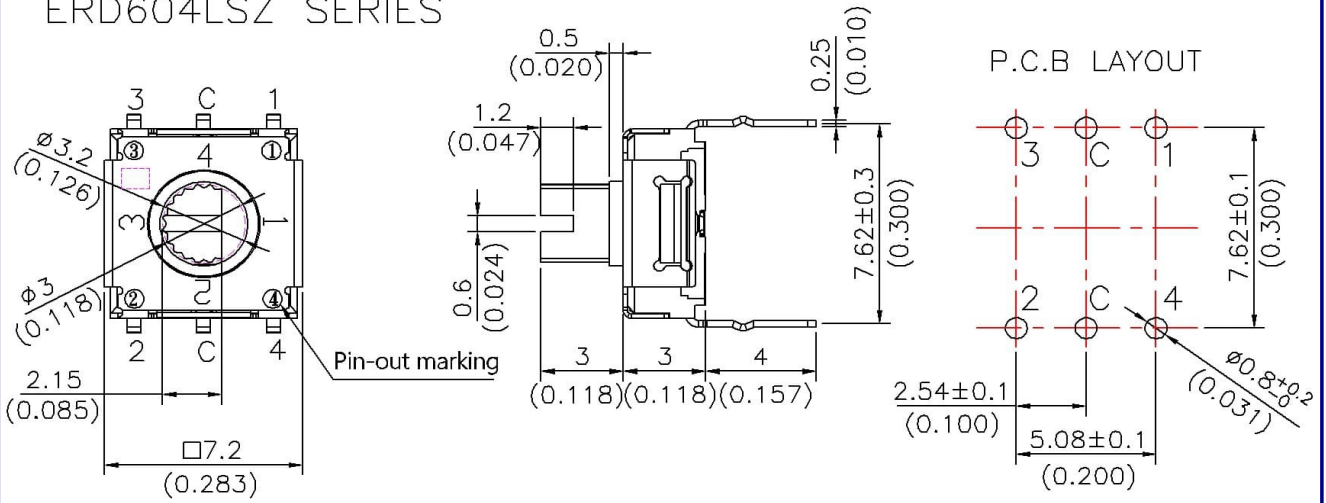
ERD604DMZ SERIES



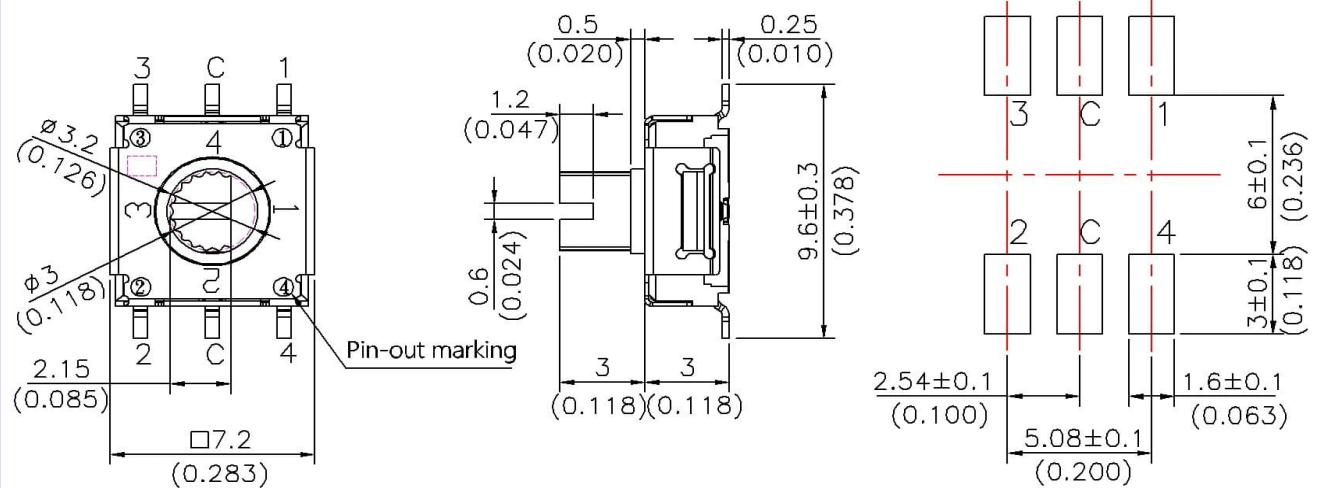
ERD604DCZ SERIES



ERD604LSZ SERIES



ERD604LMZ SERIES



ERD604LCZ SERIES

