



TELECOMMUNICATION RELAY ETR GS SERIES

■ FEATURES

- Gold Silver alloy contact good for low switching application.
- 2.54mm terminal pitch employment equivalent to I.C. Terminal.
- Different types of coil sensitivity available to meet user's selection.
- Plastic epoxy resin sealed type for washing procedure.
- Comply with RoHS and REACH regulations.
- Safety standard & File number: NIL

■ SPECIFICATIONS

Contact Resistance	Max. 100mΩ at initial value. @100mA,6VDC
Contact Capacity	1 Amps at 120VAC Cosφ=1 2 Amps at 24VDC L/R=0
Operate Time	GS-D: 6m Sec. Max. GS-T/L: 8m Sec. Max.
Release Time	4m Sec. Max.
Dielectric Strength	Between coil & Contact: 1000VAC at 50/60Hz for one minute Between Contacts: 500VAC at 50/60Hz for one minute
Insulation Resistance	100MΩ Min. at 500VDC

■ COIL SPECIFICATION AT 20°C

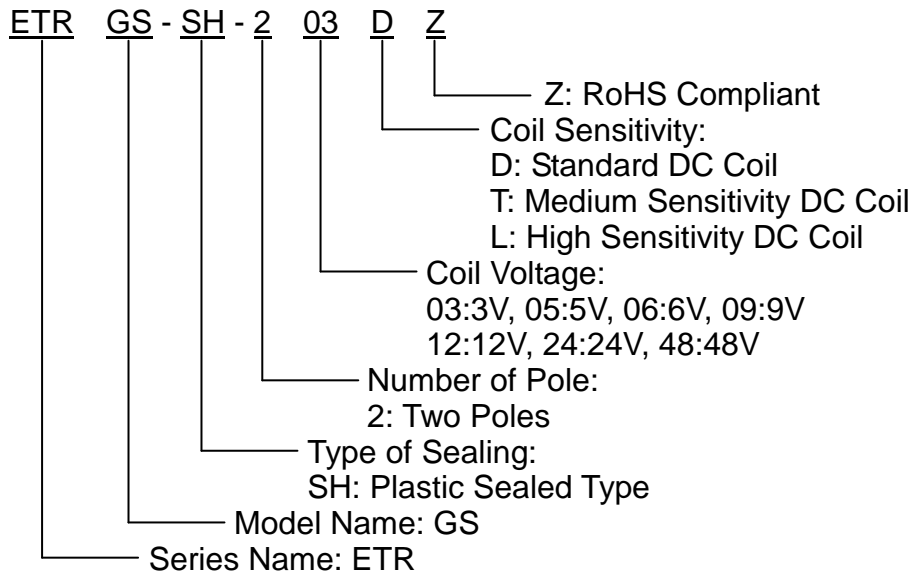
Coil Sensitivity	Nominal Voltage (VDC)	Nominal Current (mA)	Coil Resistance (Ω±10%)	Power Consumption (W)	Pull-In Voltage (VDC)	Drop-Out Voltage (VDC)	Max. Allowable Voltage (VDC)
GS-D	3	120	25	Abt. 0.36	75% Max.	10% Min.	150%
	5	71.4	70				
	6	60	100				
	9	40	225				
	12	30	400				
	24	15	1,600				
	48	7.5	6,400				



**Rely on ECE's Relays,
and You Always Relax!**

Coil Sensitivity	Nominal Voltage (VDC)	Nominal Current (mA)	Coil Resistance ($\Omega \pm 10\%$)	Power Consumption (W)	Pull-In Voltage (VDC)	Drop-Out Voltage (VDC)	Max. Allowable Voltage (VDC)
GS-T	3	66.7	45	Abt. 0.20	75% Max.	10% Min.	150%
	5	40	125				
	6	33.3	180				
	9	22.2	405				
	12	16.7	720				
	24	8.3	2,880				
GS-L	3	50	60	Abt. 0.15	80% Max.	10% Max.	150%
	5	30	167				
	6	25	240				
	9	16.7	540				
	12	12.5	960				
	24	6.25	3,840				

■ PART NUMBER SYSTEM



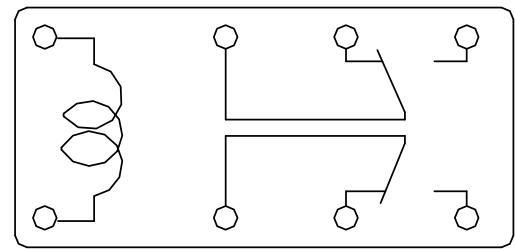
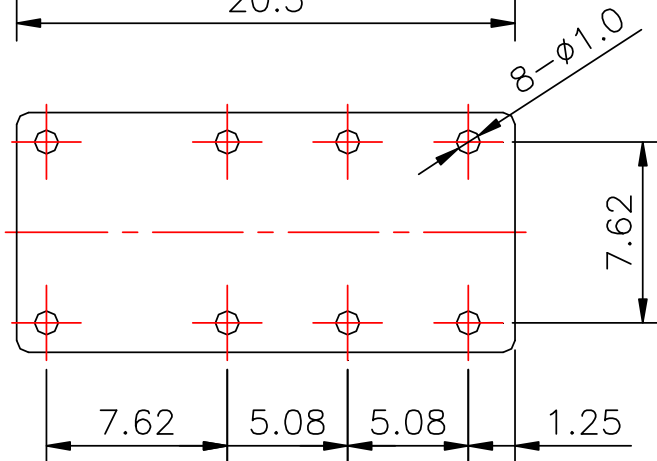
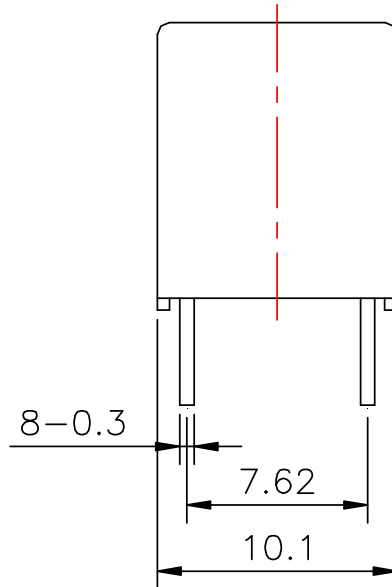
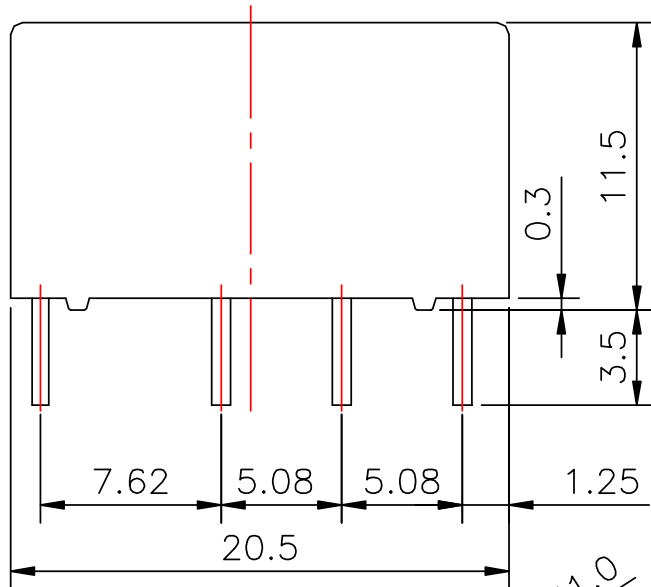
***Marking without: "ETR" & "Z".**





■ DIMENSIONS ($\leq 5\text{mm} \pm 0.2\text{mm}$, $> 5\text{mm} \pm 0.3\text{mm}$, the tolerance of PCB thru hole: $+0.1\text{mm}$)

ETR GS-SH



P.C.B LAYOUT

TWO FORM C
BOTTOM VIEW