



GENERAL CONTROL RELAY ETR SF/SFG SERIES

■ FEATURES

- SF: Flat formed type power relay rating 16A.
- SFG: Flat formed type power relay with fasten terminals and PC board terminals.
- Low power consumption 200mW.
- Halogen Free series available.
- Comply with RoHS and REACH regulations.
- Safety standard & File number:
SF: UL&C-UL E141060 / TUV R09956053
SFG: NIL

■ SPECIFICATIONS

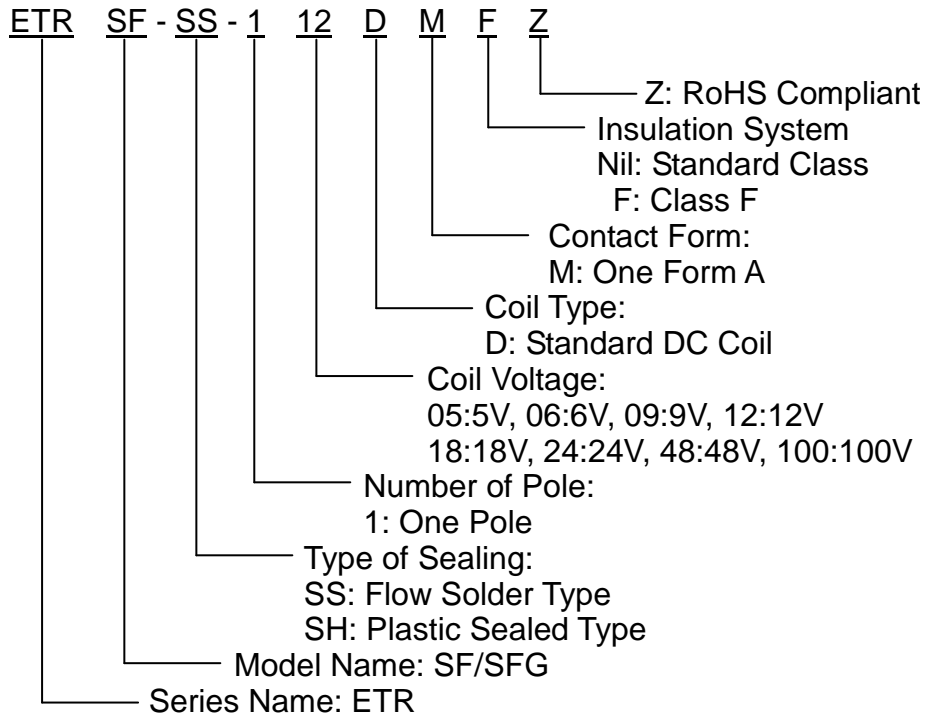
Contact Resistance	Max. 100mΩ at initial value. @1A,6VDC	
Contact Capacity	SF	16 Amps at 250VAC Cosφ=1 15 Amps at 24VDC L/R=0
	SFG	12 Amps at 125VAC Cosφ=1 10 Amps at 24VDC L/R=0
Operate Time	20m Sec. Max.	
Release Time	10m Sec. Max.	
Dielectric Strength	Between coil & Contact: 1500VAC at 50/60Hz for one minute Between Contacts: 1000VAC at 50/60Hz for one minute	
Insulation Resistance	100MΩ Min. at 500VDC	

■ COIL SPECIFICATION AT 20°C

Coil Sensitivity	Nominal Voltage (VDC)	Nominal Current (mA)	Coil Resistance (Ω±10%)	Power Consumption (W)	Pull-In Voltage (VDC)	Drop-Out Voltage (VDC)	Max. Allowable Voltage (VDC)
SF/SFG	5	40	125	Abt. 0.20	70% Max.	5% Min.	150%
	6	34	180				
	9	23	405				
	12	17	720				
	18	11	1,620				
	24	8.3	2,880				
	48	4.2	11,520				
	100	5.6	18,000	Abt. 0.56	70% Max.	5% Min.	150%



■ PART NUMBER SYSTEM



***Marking without: "ETR" & "Z".**

ETR SF-SH-112DM



ETR SFG-SH-112DM



■ DIMENSIONS ($\leq 5\text{mm} \pm 0.2\text{mm}$, $> 5\text{mm} \pm 0.3\text{mm}$, the tolerance of PCB thru hole: $+0.1\text{mm}$)

