



**Rely on ECE's Relays,  
and You Always Relax!**

## HOME APPLICATION RELAY ETR GL SERIES

### ■ FEATURES

- High switching current at 30A (1 Pole) and 25A (2 Poles).
- Plug-in terminal is available.
- Both AC and DC coil available.
- High Dielectric Strength 4,000VAC.
- Comply with RoHS and REACH regulations.
- Safety standard & File number: UL&C-UL E141060 & E175730 / TUV R50144363

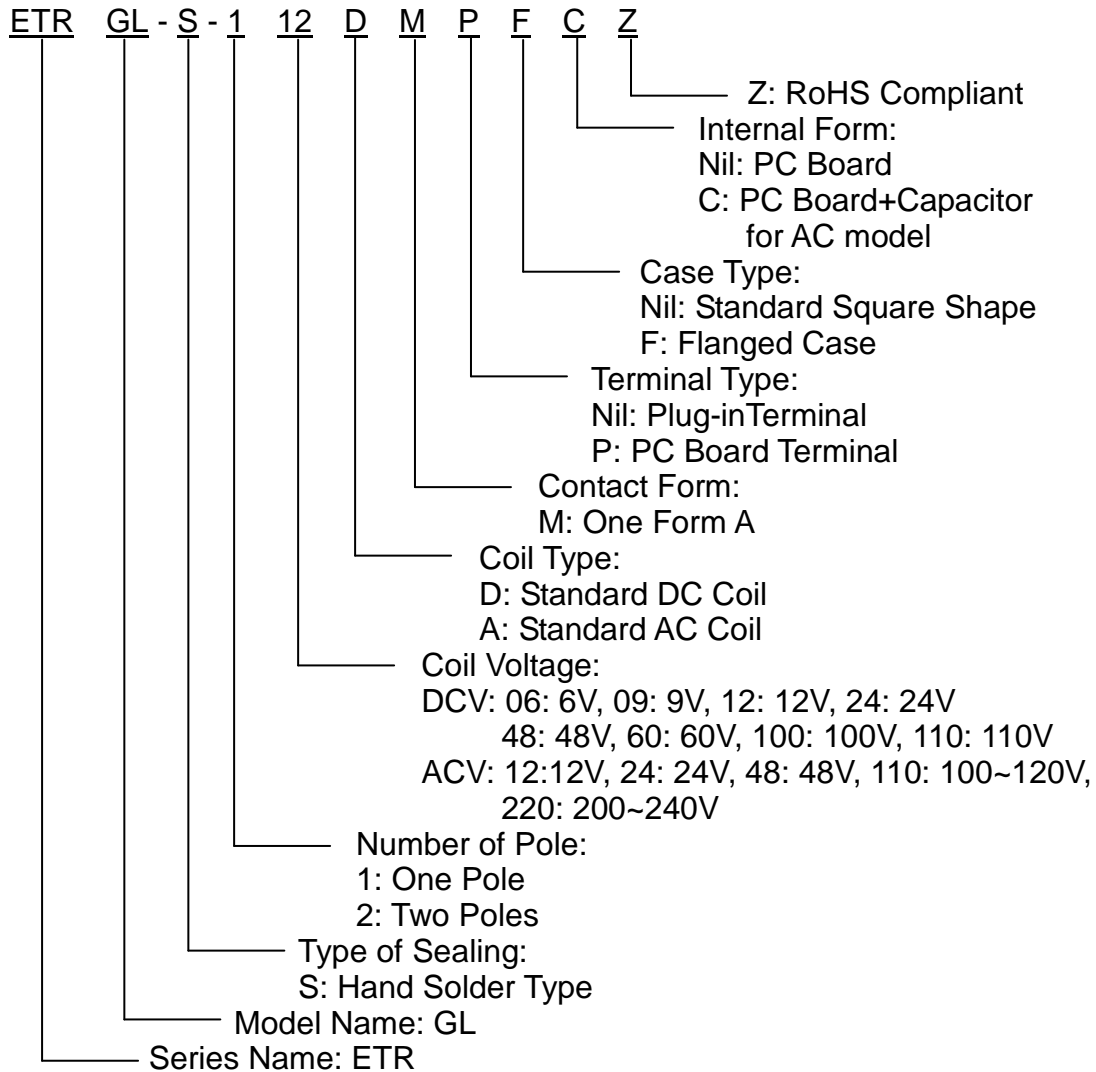
### ■ SPECIFICATIONS

|                       |   |
|-----------------------|---|
| Contact Resistance    | Max. 100mΩ at initial value. @1A,6VDC   |
| Contact Capacity      | GL-1P: 30 Amps at 277VAC Cosφ=1<br>GL-2P: 25 Amps at 277VAC Cosφ=1  |
| Operate Time          | 30m Sec. Max.   |
| Release Time          | 30m Sec. Max.   |
| Dielectric Strength   | Between coil & Contact: 4000VAC at 50/60Hz for one minute<br>Between Contacts: 2000VAC at 50/60Hz for one minute<br>Different Polarity: 3000VAC at 50/60Hz for one minute |
| Insulation Resistance | 100MΩ Min. at 500VDC  |

### ■ COIL SPECIFICATION AT 20°C

| Coil Sensitivity | Nominal Voltage (VDC) | Nominal Current (Ma) | Coil Resistance (Ω±10%) | Power Consumption | Pull-In Voltage (VDC) | Drop-Out Voltage (VDC) | Max. Allowable Voltage (VDC) |
|------------------|-----------------------|----------------------|-------------------------|-------------------|-----------------------|------------------------|------------------------------|
| GL DC Coil       | 6                     | 317                  | 18.9                    | Abt. 1.9W         | 75% Max.              | 10% Min.               | 110%                         |
|                  | 9                     | 211                  | 42.6                    |                   |                       |                        |                              |
|                  | 12                    | 158                  | 75.8                    |                   |                       |                        |                              |
|                  | 24                    | 79                   | 303                     |                   |                       |                        |                              |
|                  | 48                    | 40                   | 1,220                   |                   |                       |                        |                              |
|                  | 60                    | 31.7                 | 1,895                   |                   |                       |                        |                              |
|                  | 100                   | 19                   | 5,260                   |                   |                       |                        |                              |
| GL AC Coil       | 110                   | 17                   | 6,400                   | Abt. 1.7~2.5VA    | 75% Max.              | 10% Min.               | 110%                         |
|                  | 12                    | 142                  | -                       |                   |                       |                        |                              |
|                  | 24                    | 71                   | -                       |                   |                       |                        |                              |
|                  | 48                    | 34                   | -                       |                   |                       |                        |                              |
|                  | 100~120               | 17~20.4              | -                       |                   |                       |                        |                              |
| 200~240          | 8.5~10.2              | -                    |                         |                   |                       |                        |                              |

## ■ PART NUMBER SYSTEM



**\*Marking without: "ETR" & "Z".**

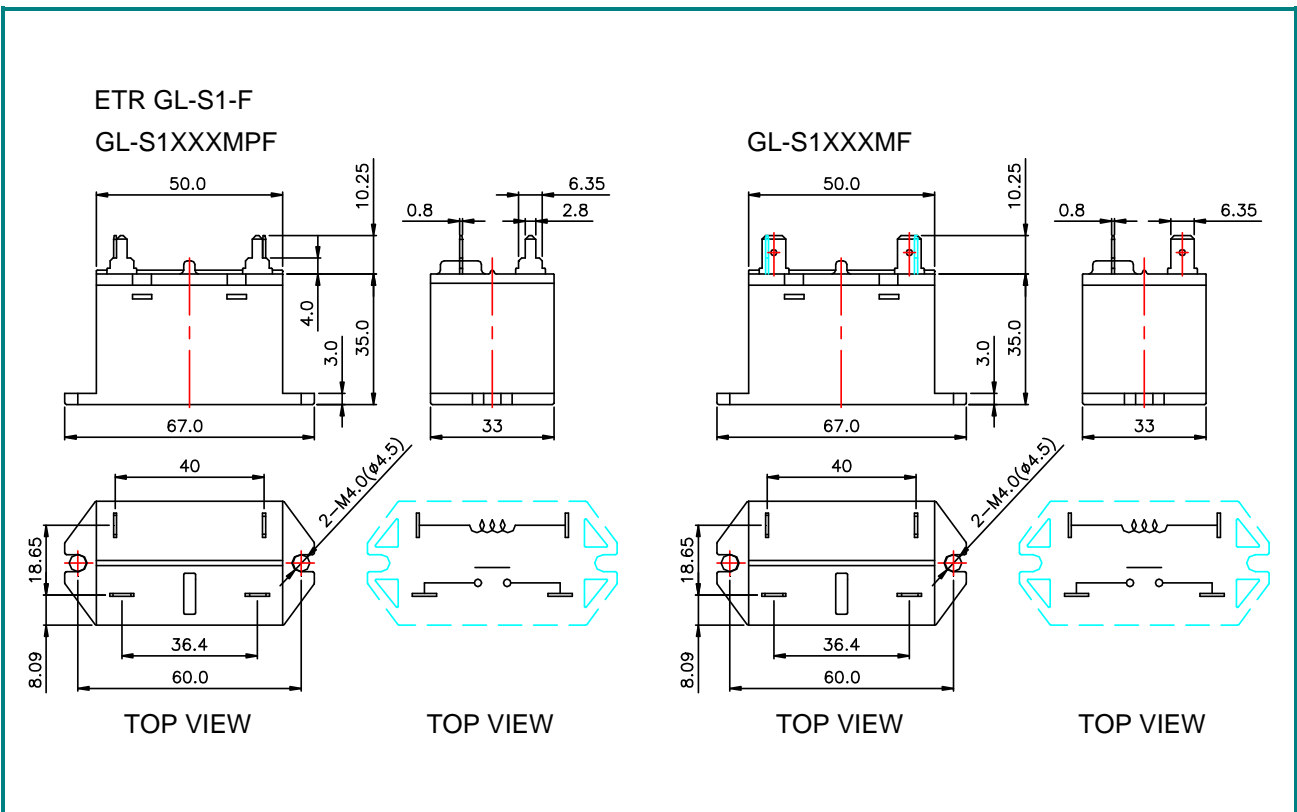
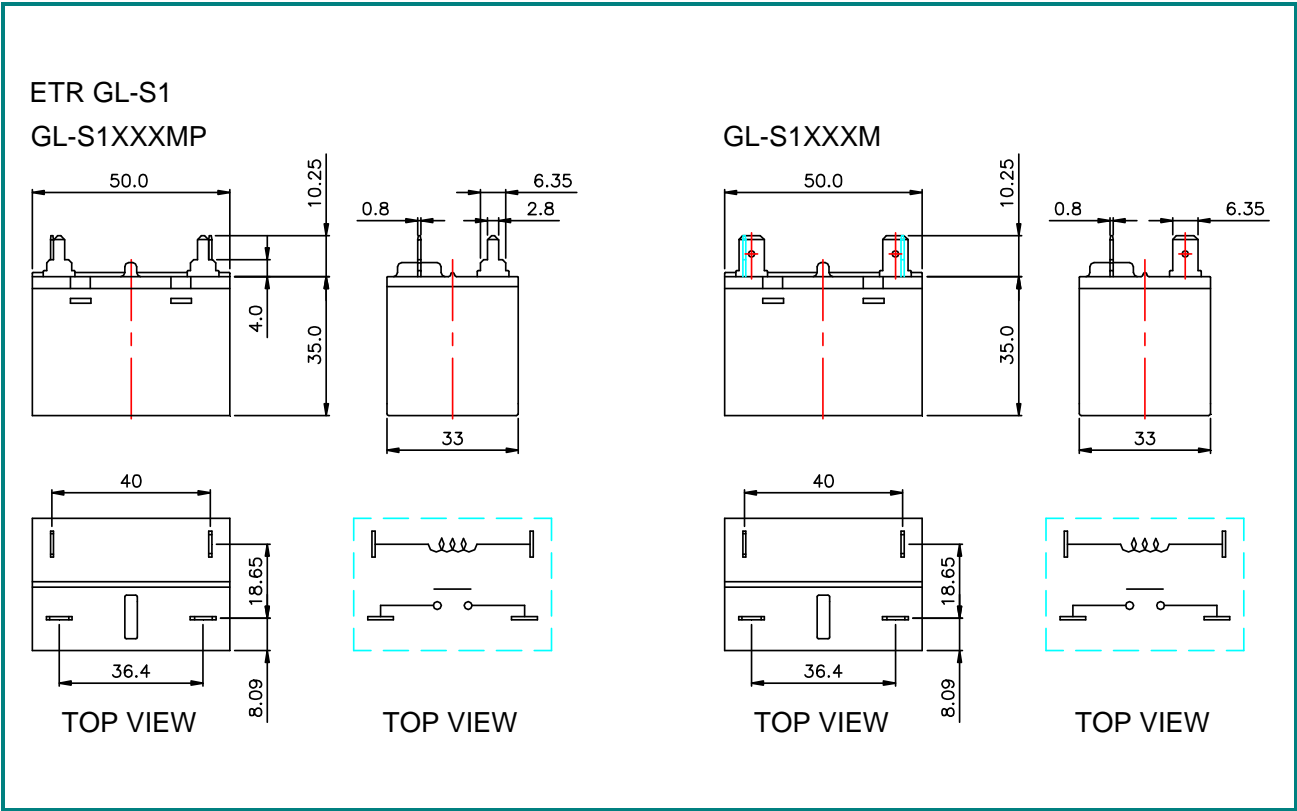
**ETR GL-S-112DMF**



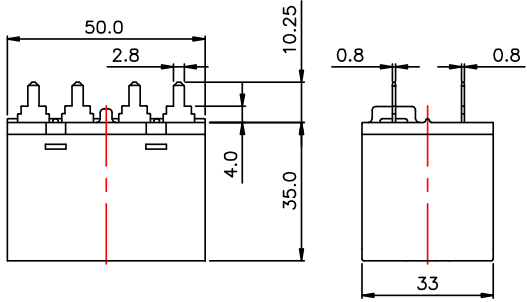
**ETR GL-S-212DM**



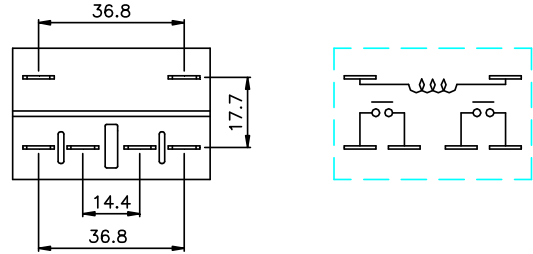
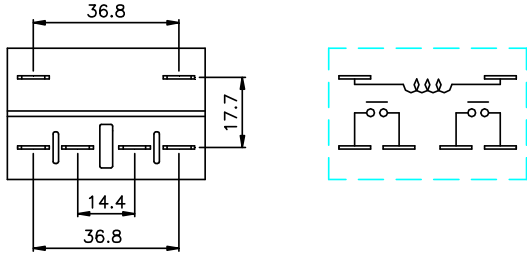
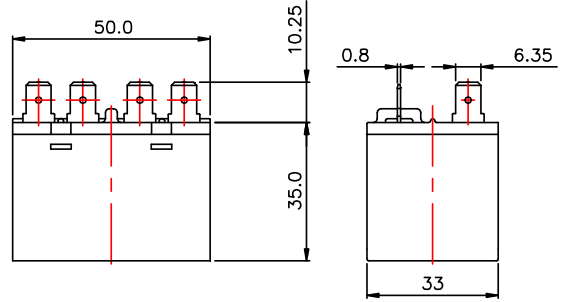
**DIMENSIONS** ( $\leq 5\text{mm} \pm 0.2\text{mm}$ ,  $> 5\text{mm} \pm 0.3\text{mm}$ , the tolerance of PCB thru hole:  $+0.1\text{mm}$ )



ETR GL-S2  
GL-S2XXXMP



GL-S2XXXM



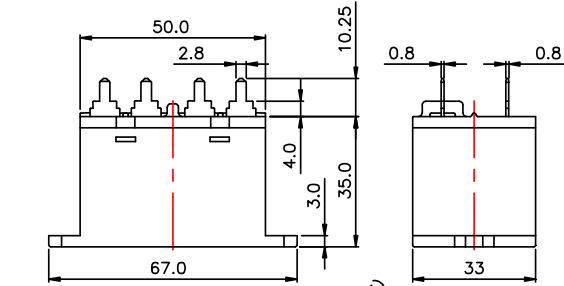
TOP VIEW

TOP VIEW

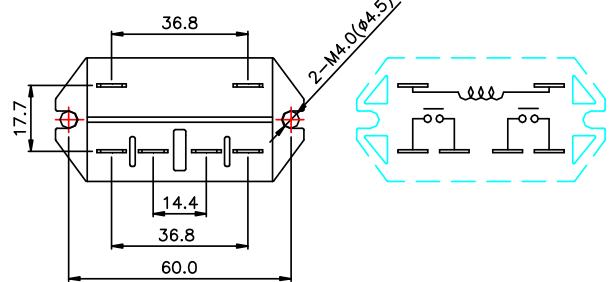
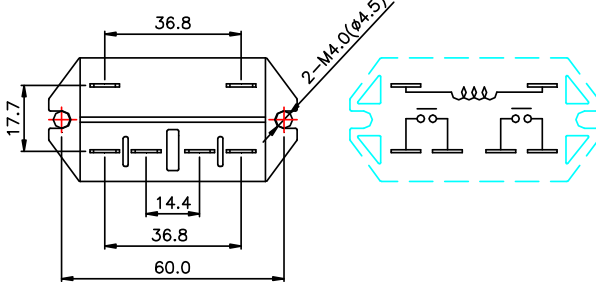
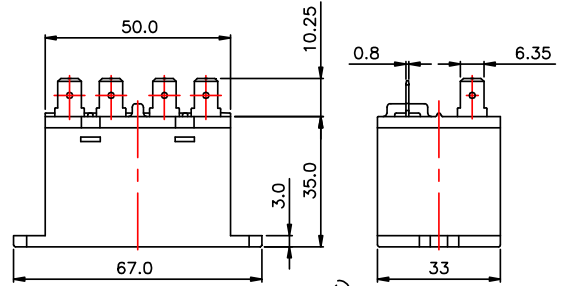
TOP VIEW

TOP VIEW

ETR GL-S2-F  
GL-S2XXXMPF



GL-S2XXXMF



TOP VIEW

TOP VIEW

TOP VIEW

TOP VIEW