 EXCEL CELL ELECTRONIC CO., LTD.	NO.	A31230		
	SPECIFICATION	Edition	6	Page

ECS - INDUSTRIAL CONTROL SWITCH EMERGENCY STOP

1. FEATURES

- Pushlock turn reset function
- Detachable contact block for easy installation and removal. It can meet variety of needs and improve work efficiency.
- IP65 waterproof type. It is designed for liquid and oil prevention and enables to be used in different environment.
- In accordance with the standards of UL, cUL, CE, CCC, and TUV.

2. SPECIFICATIONS

2-1. ELECTRICAL

2-1-1. Rated thermal current	10A
2-1-2. Rated insulation voltage	650V
2-1-3. Utilization category	AC-15(A600) or Ue 240V / Ie 3A Ue 380V / Ie 1.9A DC-13(P600) or Ue 250V / Ie 0.55A
2-1-4. Minimum switching capacity [ref.]	3V DC/AC, 5mA
2-1-5. Dielectric strength	2500V AC, 1 min.
2-1-6. Insulation resistance	100MΩ min. at 500V DC
2-1-7. Contact resistance	50mΩ max. (initial)

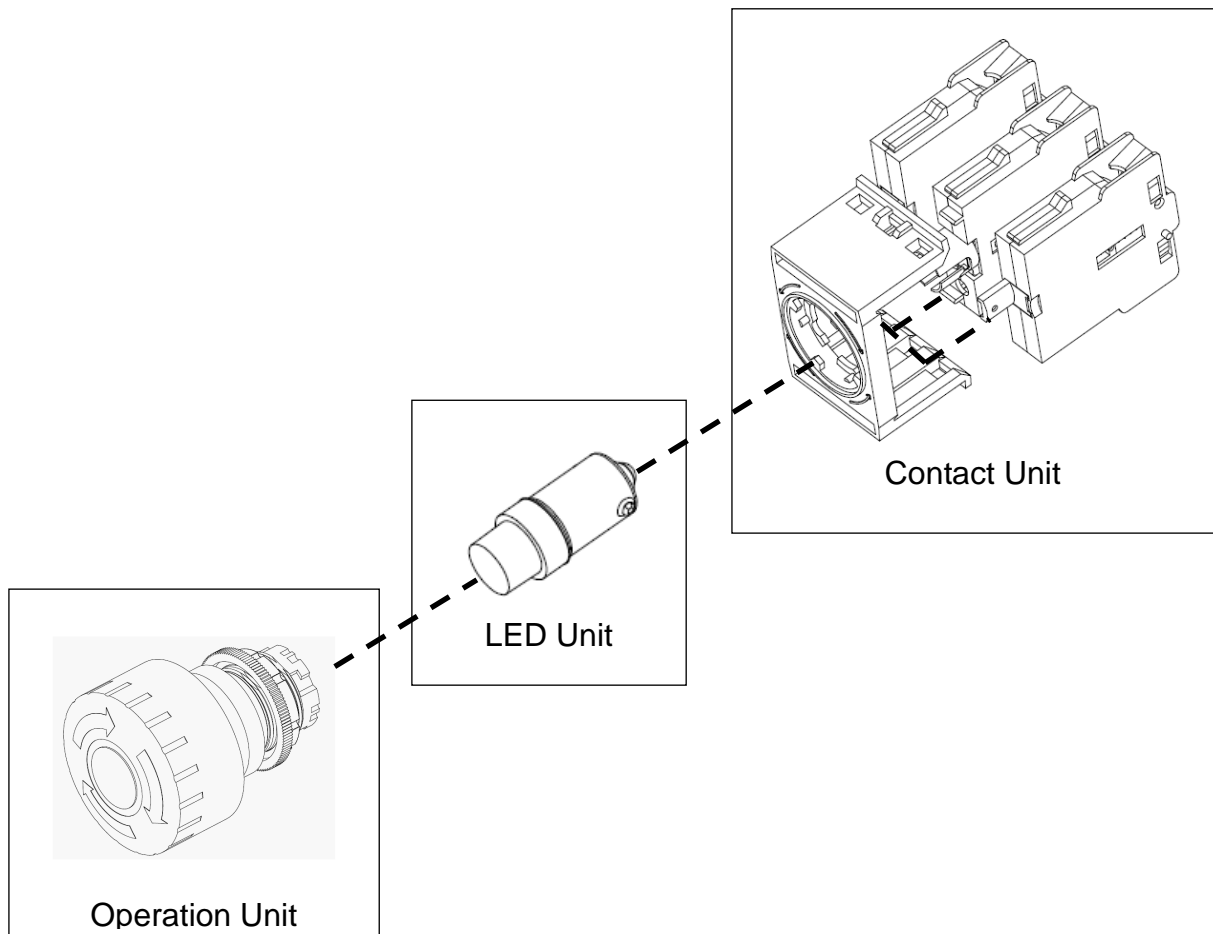
2-2. MECHANICAL AND ENVIRONMENTAL

2-2-1. Operating temperature	-25°C ~ +70°C (without icing or condensation)
	-25°C ~ +55°C (for illuminated type)
2-2-2. Storage temperature	-40°C ~ +85°C
2-2-3. Humidity	45% ~ 85% RH
2-2-4. Degree of protection	IP65 (from the front of the panel)
2-2-5. Degree of contamination	3 (IEC 60947-5-1)
2-2-6. Vibration resistance	10-55Hz single amplitude 0.5mm
2-2-7. Shock resistance	100 m/s ² (10G)(malfunction) 1000 m/s ² (100G)(destruction)
2-2-8. Mechanical Life	300,000 operations frequency 1800 operations/hr
2-2-9. Electrical Life	100,000 operations frequency 1800 operations/hr
2-2-10. Operation Force(from 1a1b)[ref.]	30N
2-2-11. Operation travel	over 4 mm
2-2-12. Connection type	M3.5 screw connection
2-2-13. Direct opening action	Direct opening mechanism of NC contact to open the circuit⊕

ECE	EXCEL CELL ELECTRONIC CO., LTD.	NO.	A31230		
		Edition	6	Page	2

SPECIFICATION

3. CONSTRUCTION

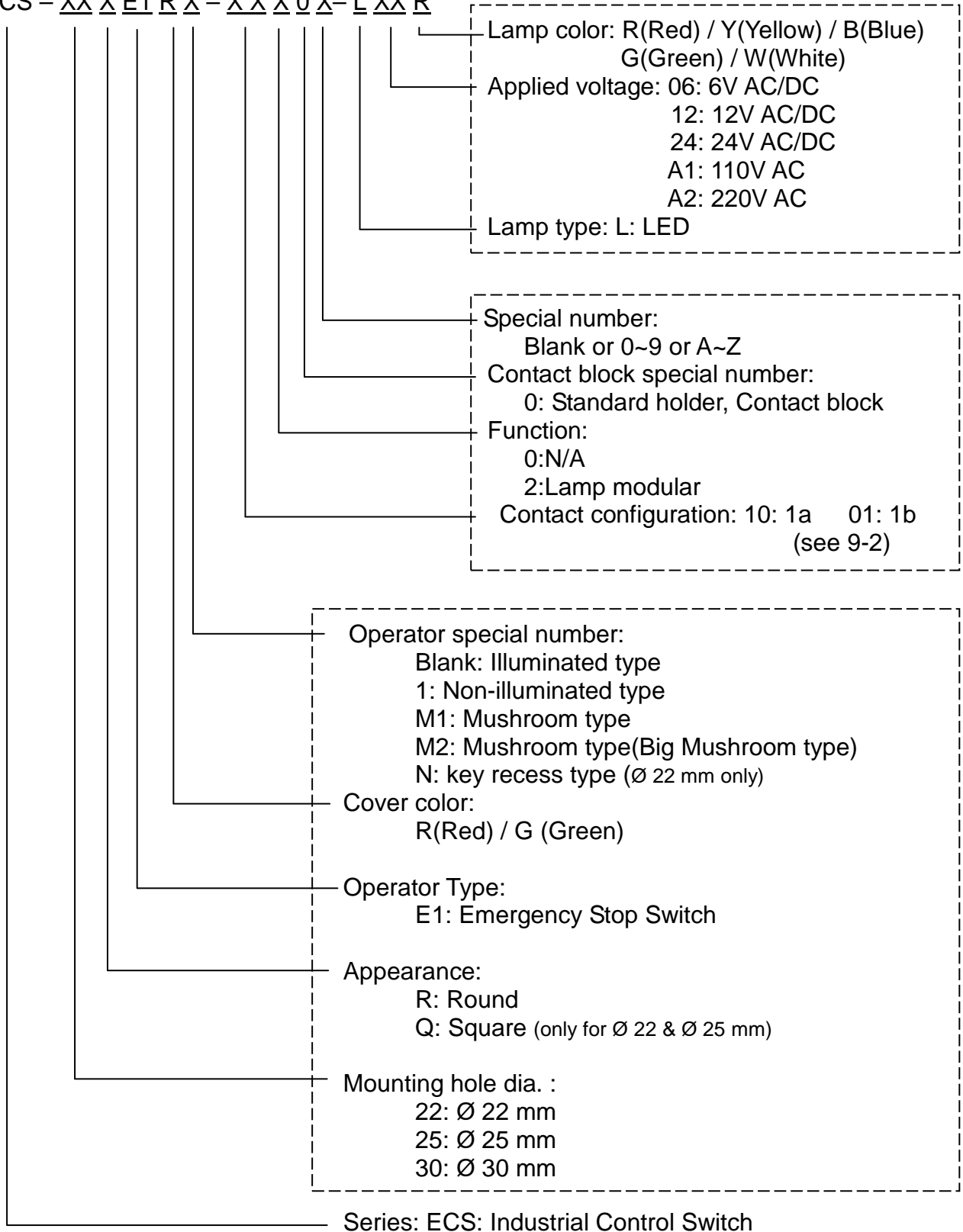


- Operation unit, LED unit, and contact unit (contact blocks) can be sold separately.
- Please see [4.Part numbering system] for operation unit part number. For other accessories (LED lamp, contact block, etc.), please refer to accessory part in catalog.

ECE	EXCEL CELL ELECTRONIC CO., LTD.	NO.		A31230	
		SPECIFICATION		Edition	6

4. PART NUMBERING SYSTEM

ECS - XX X E1 R X - XX X 0 X - L XX R



ECE	EXCEL CELL ELECTRONIC CO., LTD.	NO.	A31230		
			SPECIFICATION		6

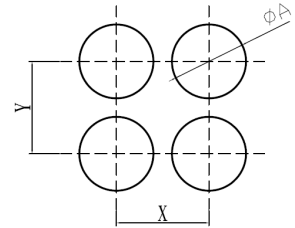
5. INSTALLATION

5-1. Panel thickness

- The panel thickness must be 1 to 7 mm.
- Take into consideration about the thickness of accessories (such as name plate, switch guard, etc.) while using.

5-2. Panel cutout

- Cutout diameter and distance



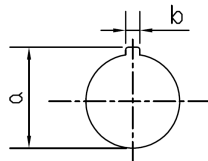
Unit: mm

	22R / 25R	22Q / 25Q	30R
A	22.3/25.3 ^{+0.4} ₋₀	22.3/25.3 ^{+0.4} ₋₀	30.5 ^{+0.5} ₋₀

Unit: mm

	22R / 25R	22Q / 25Q	30R	Long Lever Selector Switch Emergency Stop Switch
X	30	32	50	50
Y	50	50	65	50

- Key recess cutout (∅ 22mm only)



Unit: mm


Mounting Hole(∅)	a	b
22	24.1 ^{+0.5} ₋₀	3.2 ^{+0.2} ₋₀

- Panel installation

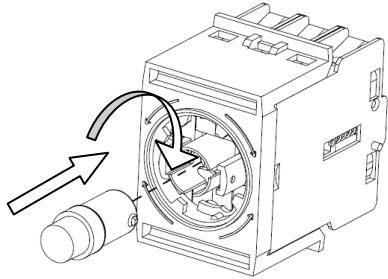
1. Place the operation unit through panel mounting hole.
2. Install the nut by using tightening tool.
3. Make sure the operation unit fix on the panel firmly.

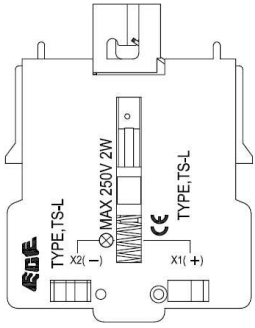
5-3. Operation unit and contact unit installation

1. Fix the operation unit on the panel.
2. Connect the operation unit with snap-fit joint part of contact unit.
3. Rotate contact unit to fix firmly as shown in the left figure.

 EXCEL CELL ELECTRONIC CO., LTD.	NO.	A31230		
	SPECIFICATION	Edition	6	Page

5-4. LED lamp installation

	<ol style="list-style-type: none"> 1. Aim LED lamp to the lamp holder and press down to the bottom. 2. Rotate the LED lamp to make sure the lamp is firmly installed. 3. While installation and removal, please hold the metal part of LED lamp to avoid damaging LED lamp.
---	--

	<ol style="list-style-type: none"> 1. When using DC LED lamp, please connect the positive pole (+) to X1 terminal as shown in left figure. 2. The LED lamp may be erroneously lightened by a leaking current from the circuit. The malfunction can be prevented by connecting a shunt resistor in parallel with the LED lamp.
--	---

6. PACKAGING

6-1. ECS product is packed without assembly (packed by set), 10 sets per box.

6-2. Label information

- | | |
|-------------------|-------------------------|
| (1) part number | (6) QC inspection stamp |
| (2) Lot number | (7) Company mark |
| (3) Quantity | (8) Company name |
| (4) Tester number | (9) Notice |
| (5) Date code | |

7. DIMENSIONS

7-1. See attached drawings

8. OPTIONS


8-1. Key recess type operation unit is available (Ø 22mm only)

8-2. Ø22mm and Ø25mm type have the same structure. Different thickness of O-rings can be ordered separately to fit into Ø22mm and Ø25mm hole in the panel.

8-3. LED Specification

LED Type	BA9S-T8
Durability(reference)	Approx. 50,000 Hrs.
Voltage	Printed on the LED

8-4. For other accessories (name plate, control box, and etc.), please refer to accessory part in the catalog.

 EXCEL CELL ELECTRONIC CO., LTD.	NO.	A31230			
	SPECIFICATION		Edition	6	Page

9. REMARK

9-1. Safety Certification

Safety Standard	Certification
UL-508	UL / cUL , file NO. E155181
CSA C22.2 NO.14	
EN60947-5-1	R50363071
EN60947-5-5 (Emergency Stop Switch)	R50362996
CCC GB14048.5	CQC2016010305912684

9-2. Contact Configuration

Code	Contact blocks		without function block	with function block
	NO	NC		
10	1	0	●	●
01	0	1	●	●
11	1	1	●	●
20	2	0	●	●
02	0	2	●	●
12	1	2	●	●
21	2	1	●	●
30	3	0	●	●
03	0	3	●	●
31	3	1	●	●
13	1	3	●	●
22	2	2	●	●
40	4	0	●	●
04	0	4	●	●
41	4	1	●	/
14	1	4	●	
23	2	3	●	
32	3	2	●	
50	5	0	●	
05	0	5	●	

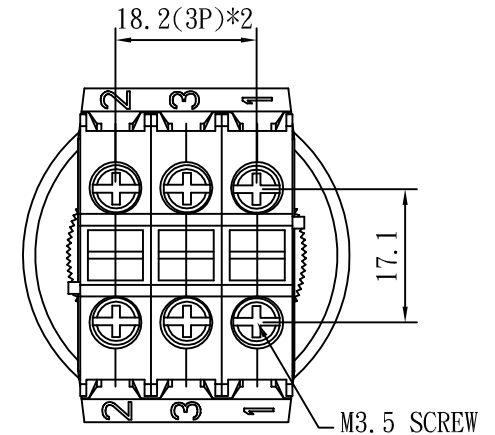
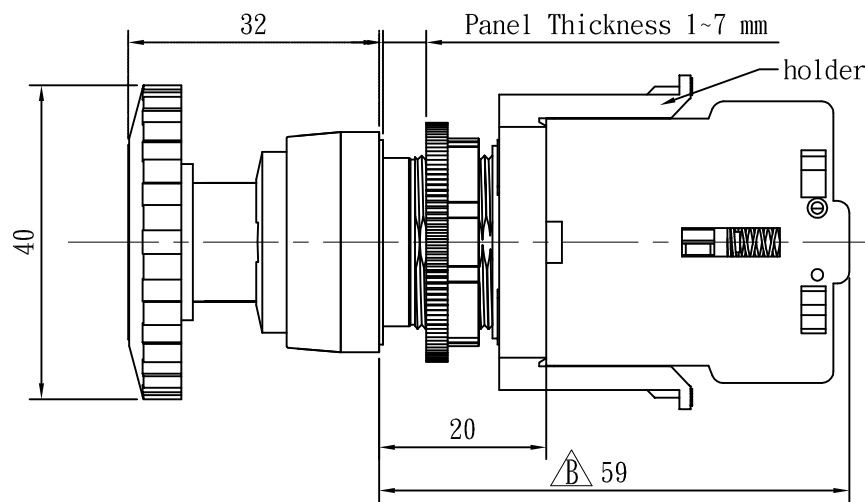
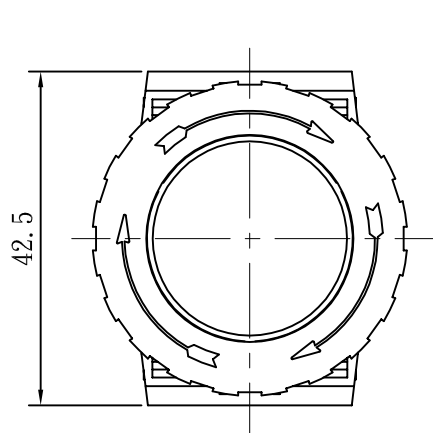
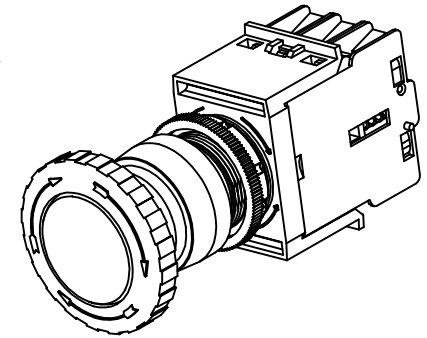
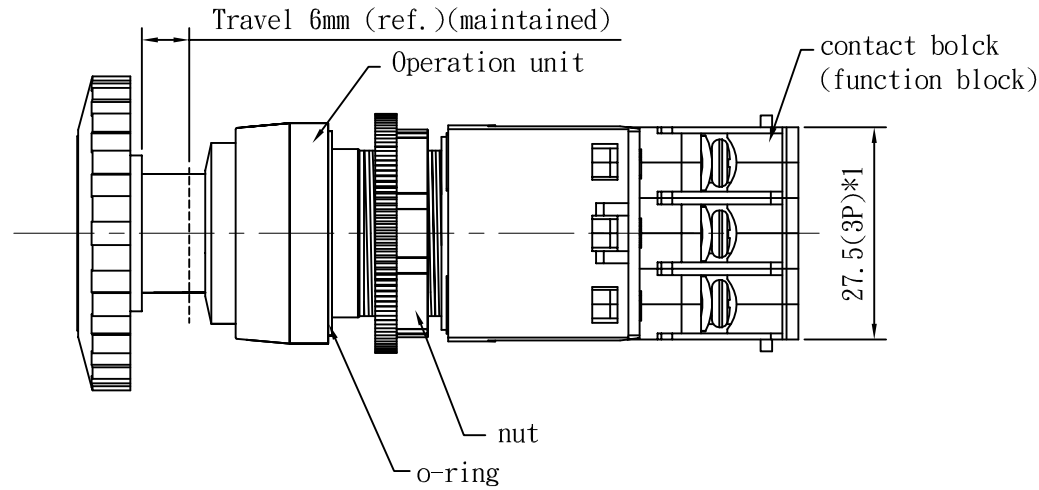
Remark :

- The colors of contact block are the followings: 1 NO: green, 1 NC: red
- Maximum 5 contact blocks for every contact unit.

9-3. CAUTION

- To prevent injury, this device must be disconnected from all power sources prior to wiring and other initiating work.
- Use tightening tool when installing the operation unit in the panel cutout. Do not use pliers and do not tighten excessively, otherwise the operation unit may be damaged.
- Make sure contact blocks are firmly fixed on contact holder during assembly. It will avoid contact blocks separated from holder during operation.

ECS-22RE1XXX-XXX0

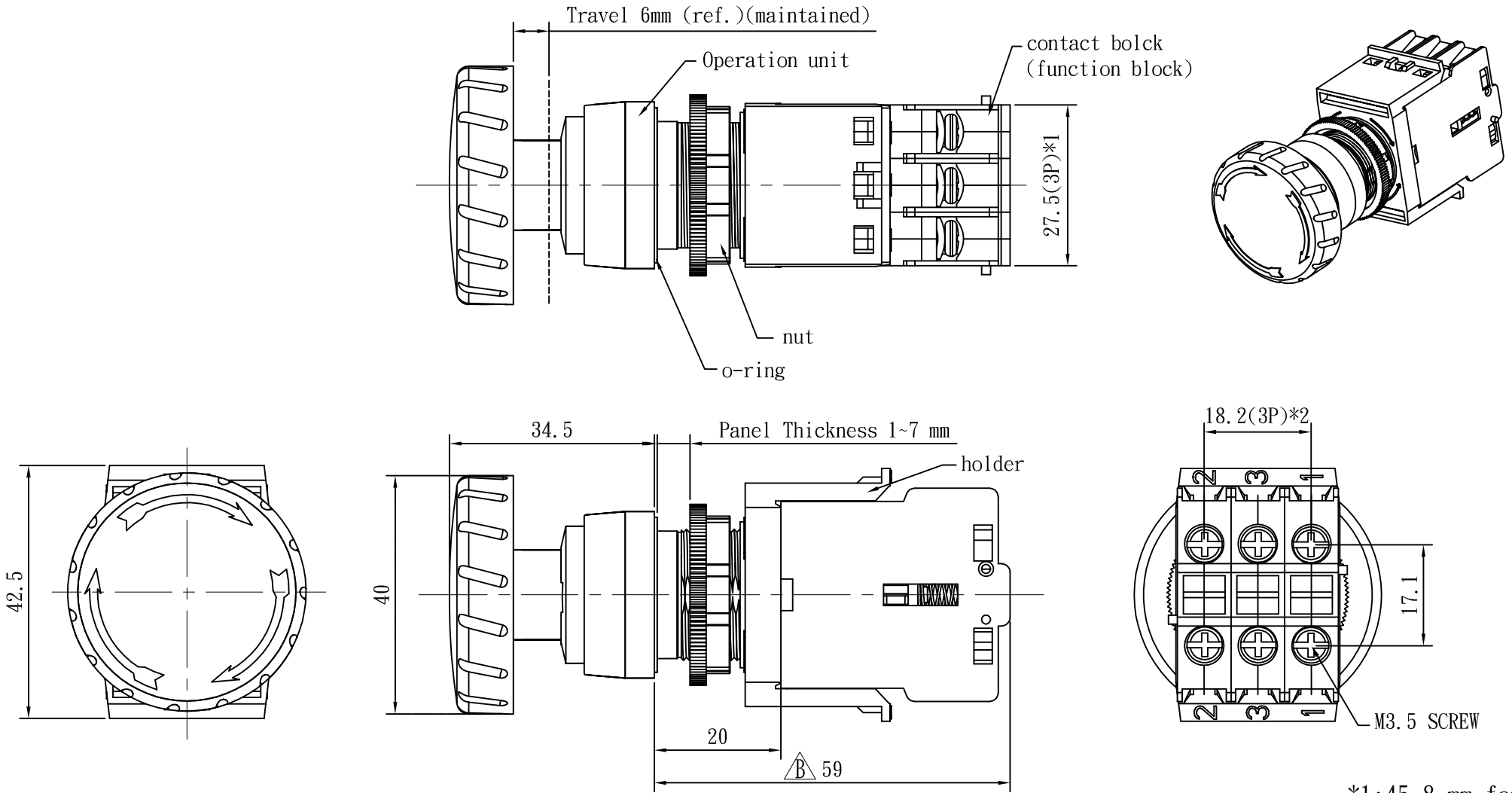


*1:45.8 mm for 5P

*2:36.4 mm for 5P

				NORMAL TOLERANCE		EXCEL CELL ELECTRONIC CO., LTD.				PART NUMBER	ECS-22RE1XXX-XXX0						
				RANGE	TOLERANCE	CHECK	DESIGN	DRAWN	UNIT	MM (INCH)	PART NAME	ECS					
				0-1	±0.1						Marcus Li	Alice Lin	Alice Lin	SCALE	1:1	TYPE	Emergency
				1-4	±0.3									SIZE	A4	FILE NAME	76922REXXB.DWG
				4-16	±0.5									PROJECTION		EDITION	B
				16-63	±0.8												
				63-250	±1.0												
	Marking position changes	Alice	2018/01/25	X.	±5°												
NO.	DETAILS	ALTERED BY	DATE	X.X	±2.5°												

ECS-22RE1XM1-XXX0

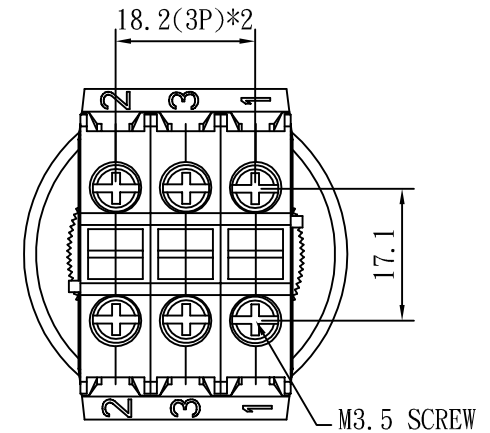
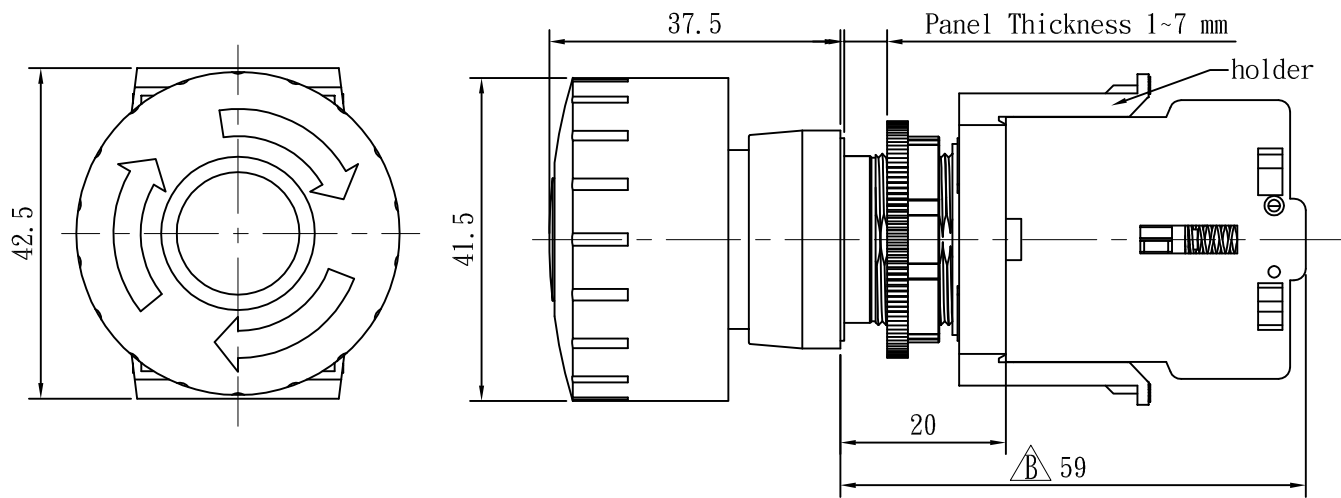
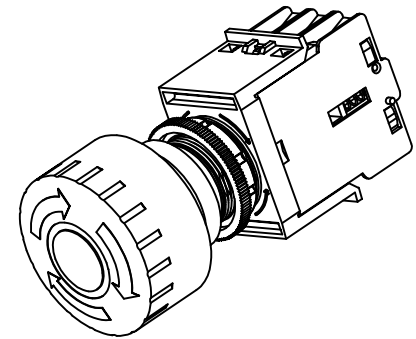
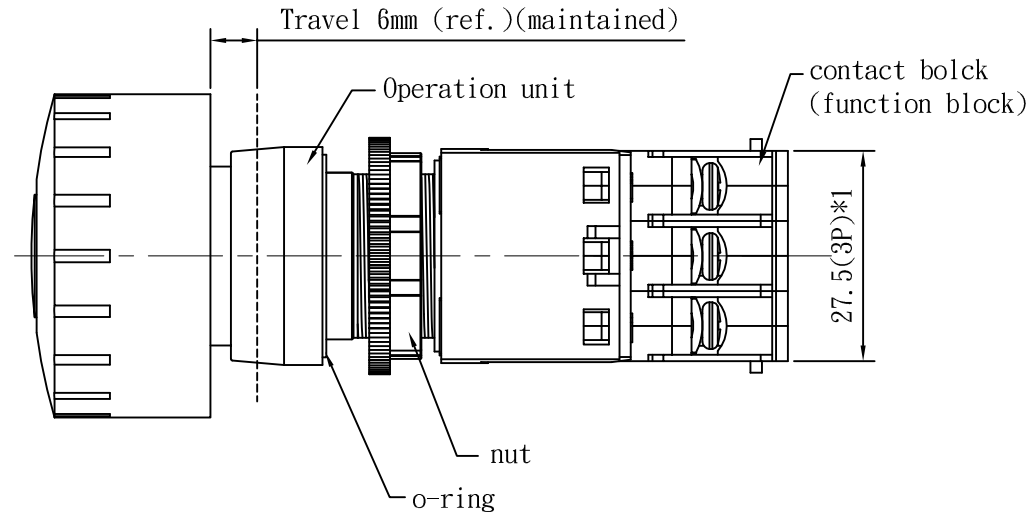


*1:45.8 mm for 5P

*2:36.4 mm for 5P

				NORMAL TOLERANCE		ECC EXCEL CELL ELECTRONIC CO., LTD.				PART NUMBER		ECS-22RE1XM1-XXX0			
				RANGE	TOLERANCE					UNIT		MM (INCH)		PART NAME	
				0-1	±0.1	CHECK	Marcus Li	DESIGN	Alice Lin	DRAWN	Alice Lin	SCALE	1:1	TYPE	Emergency
				1-4	±0.3							SIZE	A4	FILE NAME	76922REXXB.DWG
				4-16	±0.5							PROJECTION		EDITION	B
				16-63	±0.8										
				63-250	±1.0										
	Marking position changes	Alice	2018/01/25	X.	±5°										
NO.	DETAILS	ALTERED BY	DATE	X.X	±2.5°										

ECS-22RE1RM2-XXX0



*1:45.8 mm for 5P
*2:36.4 mm for 5P

				NORMAL TOLERANCE		ECEL EXCEL CELL ELECTRONIC CO., LTD.				PART NUMBER		ECS-22RE1RM2-XXX0			
				RANGE	TOLERANCE					UNIT	MM (INCH)	PART NAME	ECS		
				0-1	±0.1					SCALE	1:1	TYPE	Emergency		
				1-4	±0.3					SIZE	A4	FILE NAME	76922REXXB.DWG		
				4-16	±0.5	CHECK	Marcus Li	DESIGN	Alice Lin	DRAWN	Alice Lin	PROJECTION		EDITION	B
				16-63	±0.8										
				63-250	±1.0										
	Marking position changes			Alice	2018/01/25										
NO.	DETAILS			ALTERED BY	DATE										