



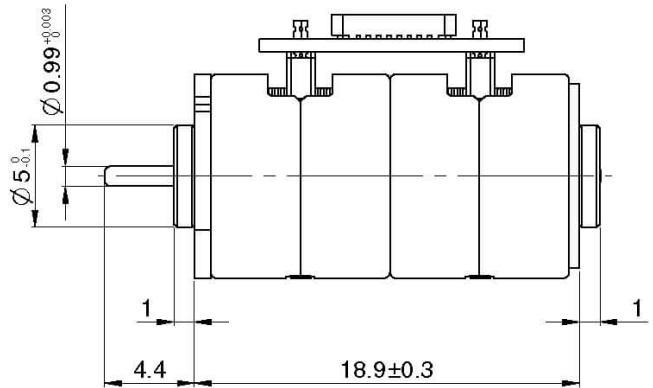
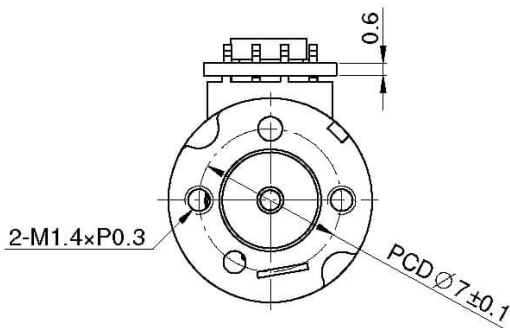
## SUMMARY

Ø10 2T1014 series step motor assembled by 2 units of Ø10 2T1013 series, in the same diameter but provide more torque than 2T1013 series

## USES

Hand-held POS machines, photo printers, LCD screen color calibration sticks, desktop gaming computers, and medical blood pump devices

## ➤ DIMENSIONS :





# NEOCENE

# 2T1014 | SPECIFICATION

Item	2T1014
Standard voltage	12V
Standard Current	400 mA/Phase
Number of phase	4 Phase
Step angles	18° / Step
Excitation	1-2 Bipolar
Pull-out torque	10 g-cm or more / 5000 pps
Pull-in torque	15 g-cm or more / 1000 pps
Holding torque	32 g-cm or more
Resistance per phase	15 Ω
Max pull-out pulse rate	6000 pps or more
Max pull-in pulse rate	2000 pps or more

## ➤ CHARACTERISTICS :

### 12V

