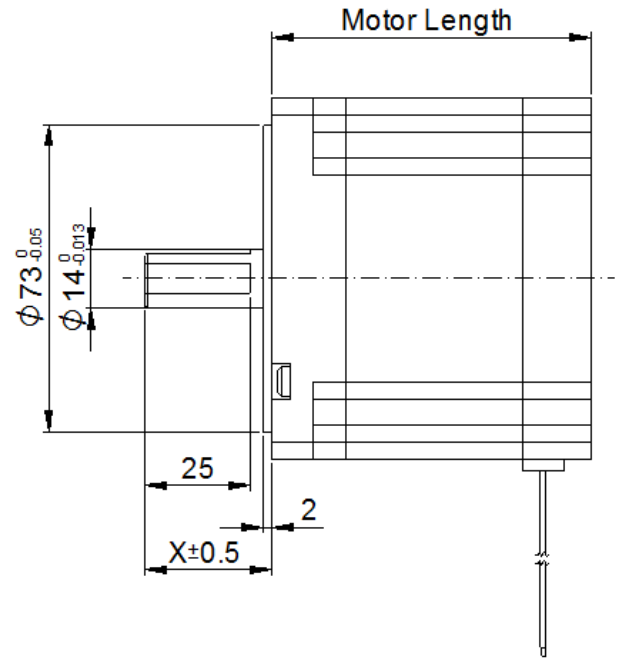
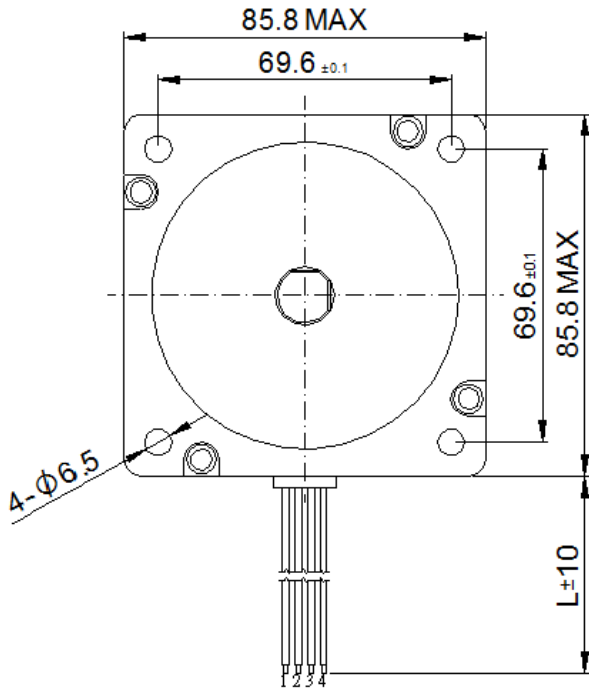




NEOCENE

2H86A | SPECIFICATION



2H86A(Bipolar)

Model	Step Angle	Rated Voltage	Holding Torque	Rated Current	Winding Resistance	Inductance	Motor Length
	Deg	V	N · m	A	Ω	mH	mm
	2H86AG	1.8	2~48	3.8	5.0	0.45	2.6
2H86AP	1.8	6.4		5.0	0.55	3.2	112

2H86A(Unipolar)

Model	Step Angle	Rated Voltage	Holding Torque	Rated Current	Winding Resistance	Inductance	Motor Length
	Deg	V	N · m	A	Ω	mH	mm
	2H86AG	1.8	2~48	2.5	-	1.1	2.8
2H86AP	1.8	4.5		-	1.2	5.0	112