



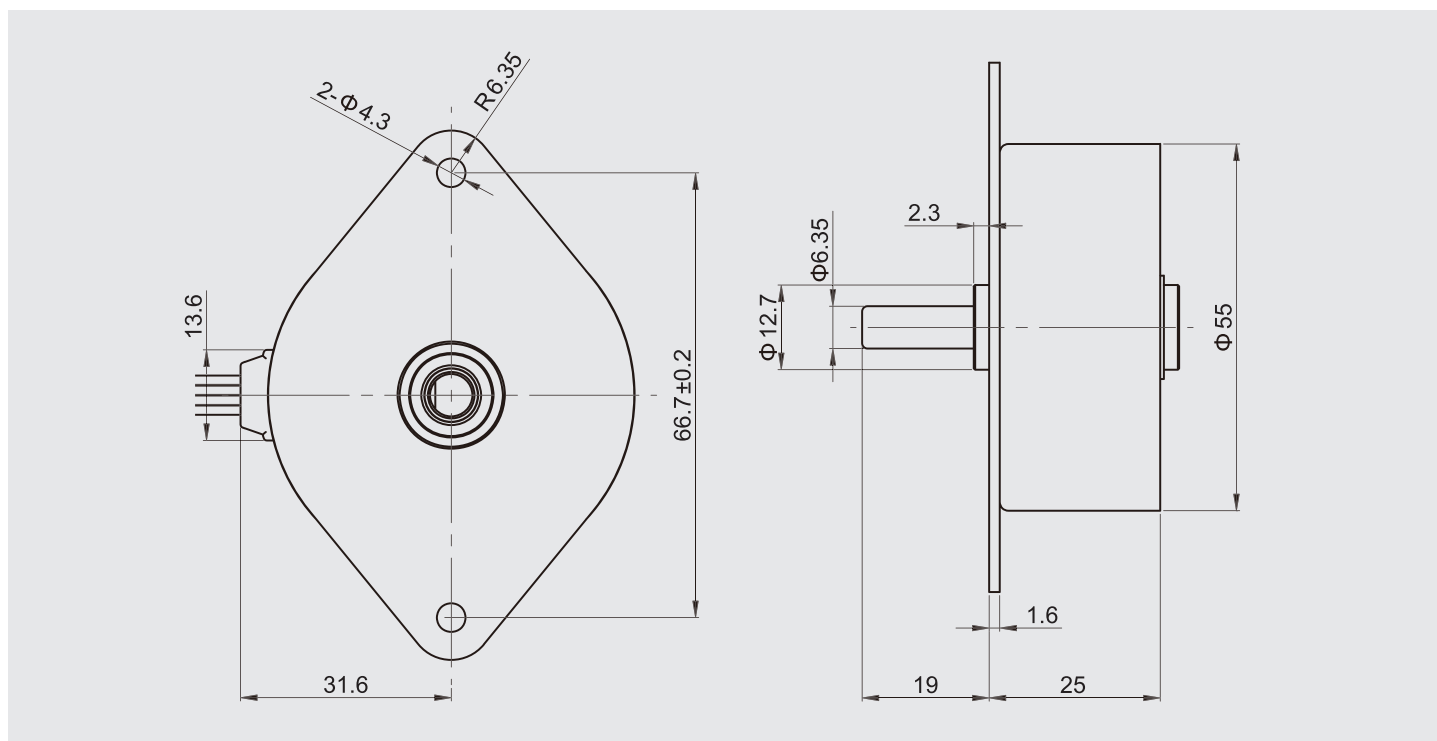
SUMMARY

Can be applicable in Alternating current(AC) and Direct current(DC) both.

USES

Surveillance Camera / Scanner / Printer/
Radar / Game Player / Air-condition

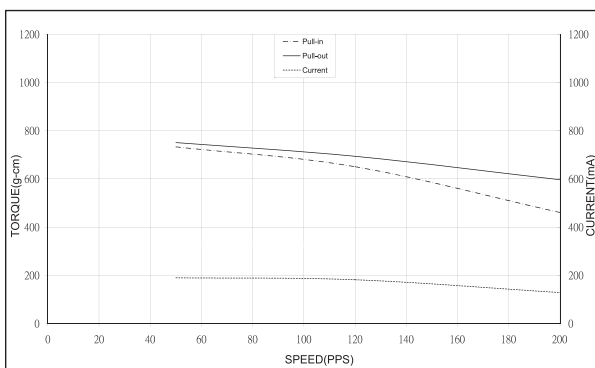
DIMENSIONS:



Item	2T5535	
Standard voltage	10 V	24 V
Standard Current	200 mA / Phase	700 mA / Phase
Number of phase	4 phase	4 phase
Step angles	7.5° / Step	7.5° / Step
Excitation	2-2 Bipolar	2-2 Bipolar
pull-out torque	592 g-cm or more / 120 pps	850 g-cm or more / 400 pps
pull-in torque	550 g-cm or more / 120 pps	760 g-cm or more / 400 pps
Holding torque	750 g-cm or more	1500 g-cm or more
Resistance per phase	6.8 Ω	5.8 Ω
Max pull-out pulse rate	272 pps or more	610 pps or more
Max pull-in pulse rate	238 pps or more	470 pps or more

CHARACTERISTICS:

10 V



24 V

