

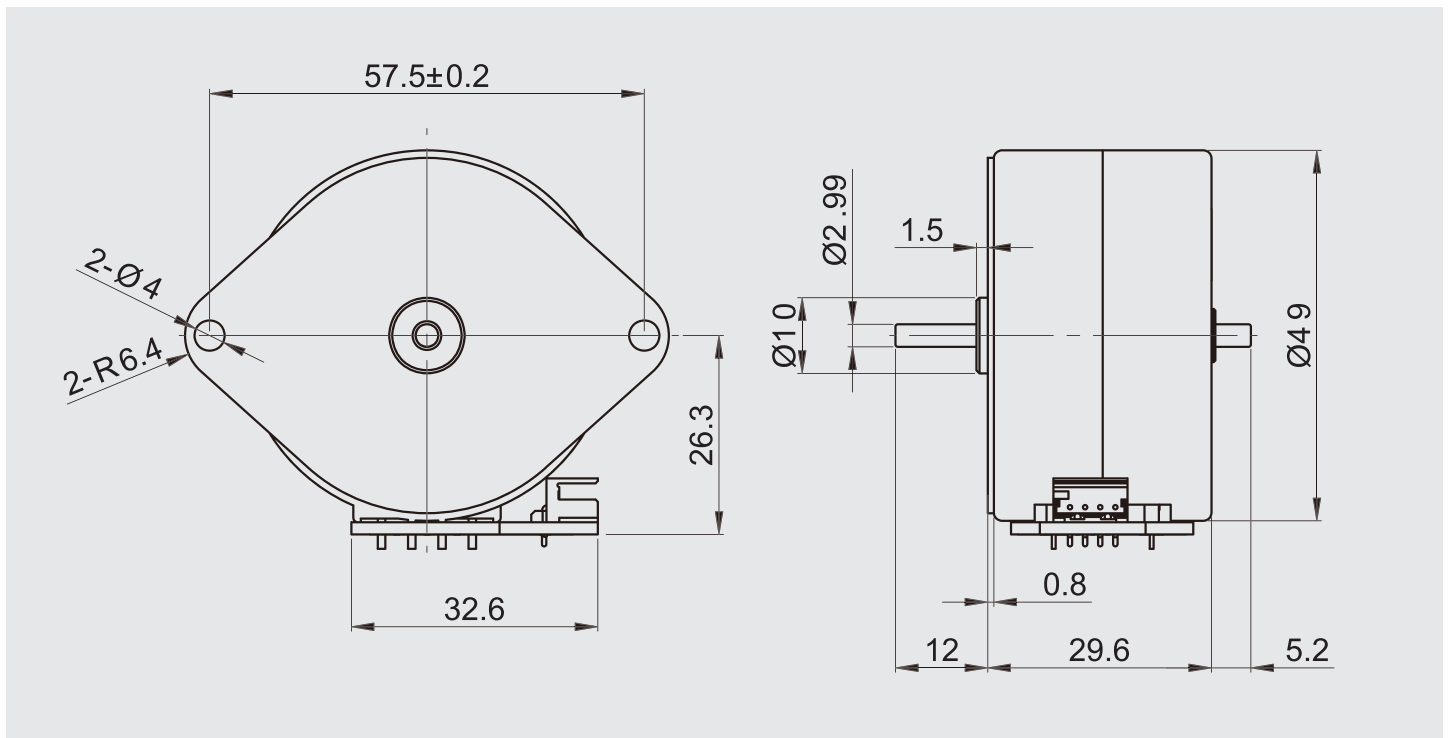
SUMMARY

Suitable for large printer.

USES

laser printer/ Scanner / Printer /
Game Player

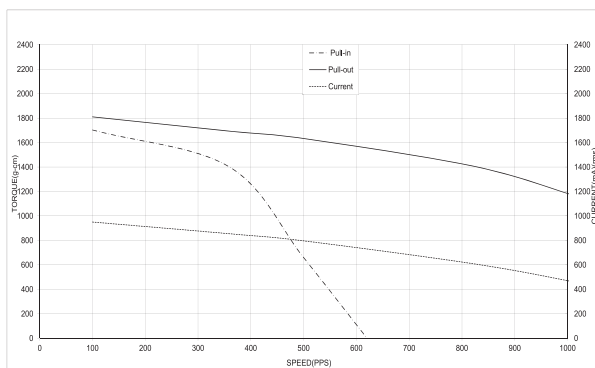
DIMENSIONS:



Item	2T4936	
Standard voltage	24 V	24 V
Standard Current	1180 mA / Phase	1500 mA / Phase
Number of phase	4 phase	4 phase
Step angles	7.5° / Step	7.5° / Step
Excitation	2-2 Bipolar	2-2 Bipolar
pull-out torque	1100 g-cm or more / 1000 pps	1610 g-cm or more / 500 pps
pull-in torque	1400 g-cm or more / 300 pps	1200 g-cm or more / 400 pps
Holding torque	1800 g-cm or more	2000 g-cm or more
Resistance per phase	4 Ω	6.4 Ω
Max pull-out pulse rate	1600 pps or more	1500 pps or more
Max pull-in pulse rate	450 pps or more	500 pps or more

CHARACTERISTICS:

24 V



24 V

