



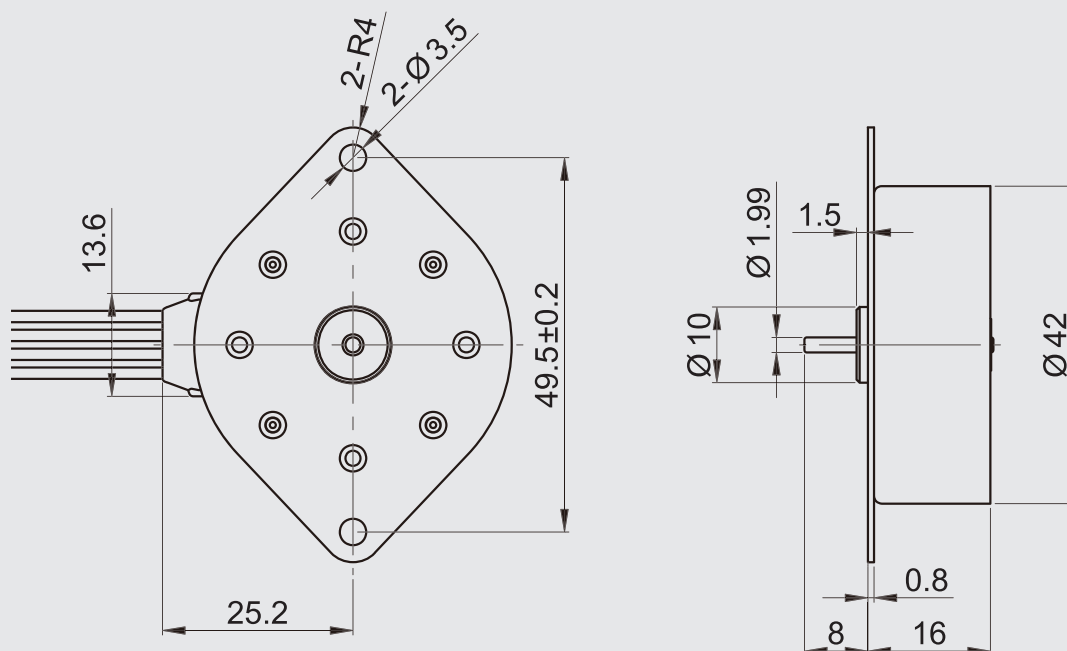
SUMMARY

Have 3.75°/7.5° step angle in this series.
Suitable for Auto document feeder(ADF).

USES

Scanner / Printer

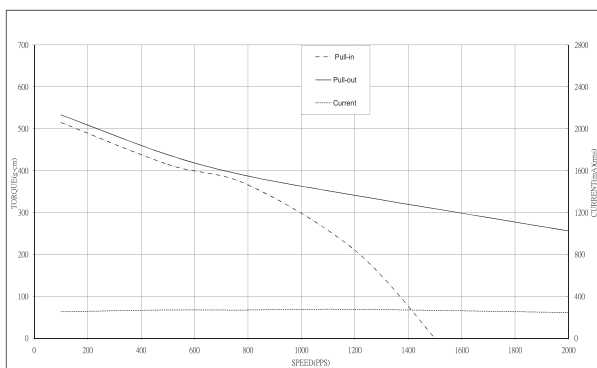
DIMENSIONS:



Item	2T42X4	
Standard voltage	24 V	24 V
Standard Current	540 mA / Phase	720 mA / Phase
Number of phase	4 phase	4 phase
Step angles	7.5° / Step	3.75° / Step
Excitation	1-2 Bipolar	1-2 Bipolar
pull-out torque	286 g-cm or more / 1200 pps	400 g-cm or more / 3400 pps
pull-in torque	300 g-cm or more / 800 pps	450 g-cm or more / 1000 pps
Holding torque	550 g-cm or more	610 g-cm or more
Resistance per phase	6.7 Ω	3.7 Ω
Max pull-out pulse rate	4800 pps or more	20000 pps or more
Max pull-in pulse rate	1200 pps or more	1960 pps or more

CHARACTERISTICS:

24 V



24 V

