



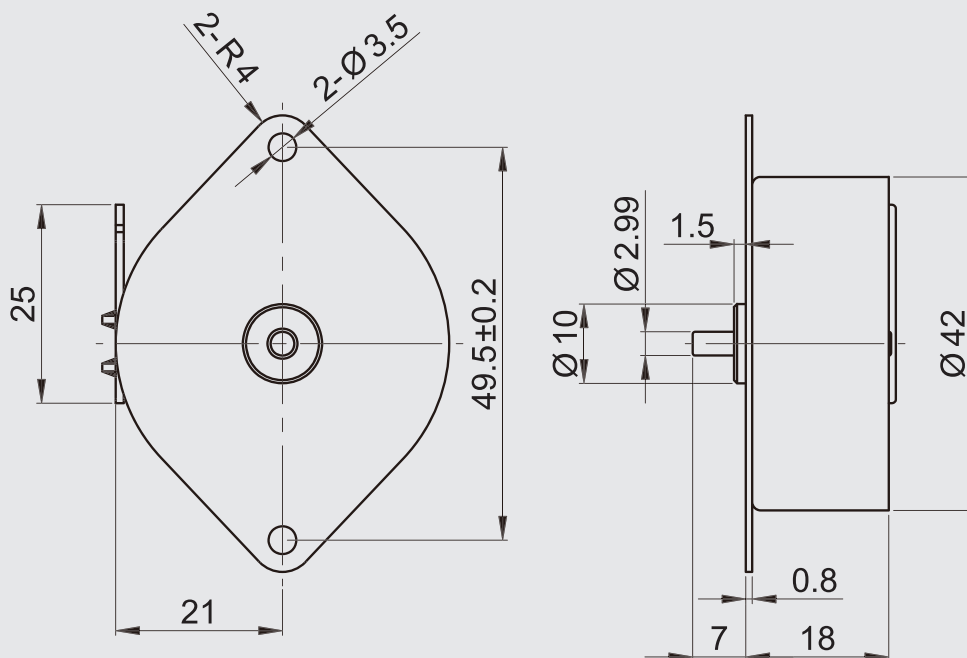
SUMMARY

High speed, high Torque but quiet during operate.

USES

Surveillance Camera / Scanner / Printer

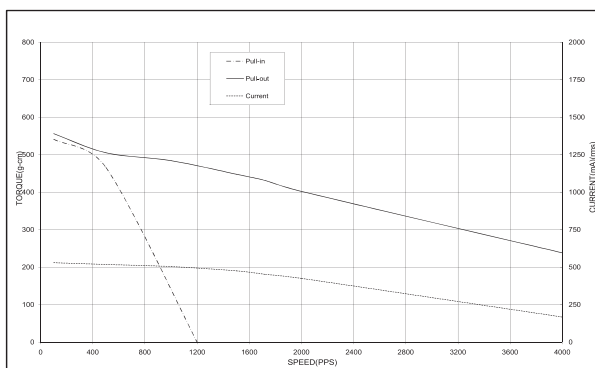
DIMENSIONS:



Item	2T42G4	
Standard voltage	24 V	31 V
Standard Current	700 mA / Phase	600 mA / Phase
Number of phase	4 phase	4 phase
Step angles	3.75° / Step	3.75° / Step
Excitation	2-2 Bipolar	2-2 Bipolar
pull-out torque	414 g-cm or more / 1700 pps	370 g-cm or more / 1700 pps
pull-in torque	450 g-cm or more / 400 pps	400 g-cm or more / 400 pps
Holding torque	570 g-cm or more	600 g-cm or more
Resistance per phase	4.5 Ω	4.4 Ω
Max pull-out pulse rate	5000 pps or more	8500 pps or more
Max pull-in pulse rate	1100 pps or more	800 pps or more

CHARACTERISTICS:

24 V



31 V

