



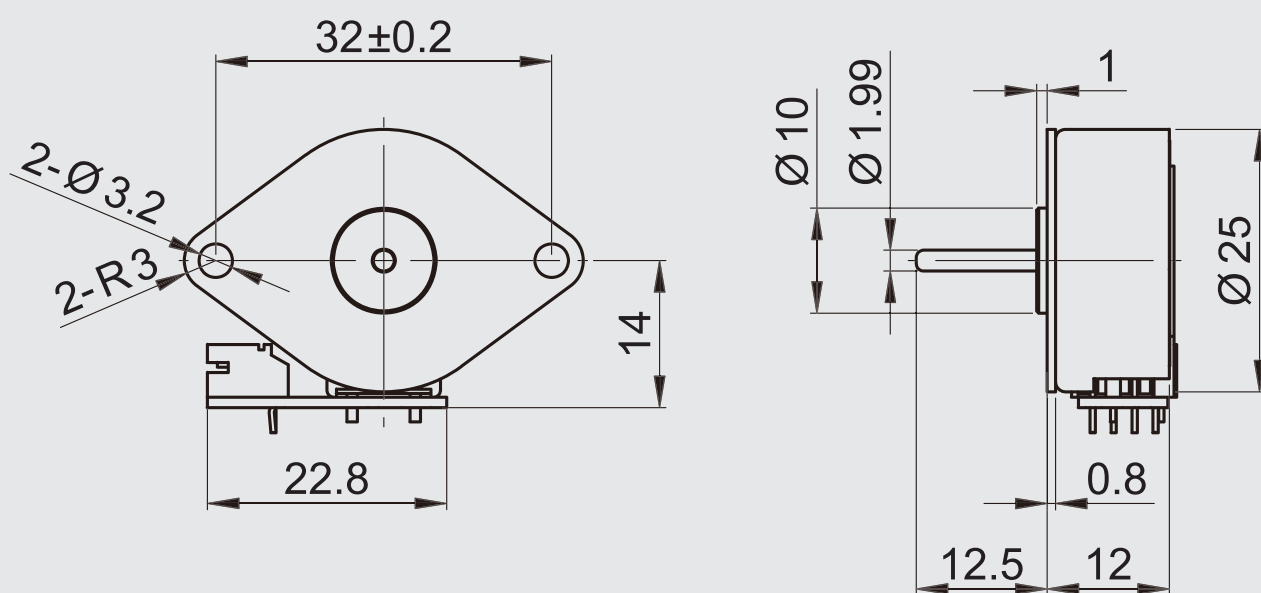
## SUMMARY

Two type of step angles(15°/ 7.5°)  
to choosethat make user design

## USES

Surveillance Camera / Scanner / Printer

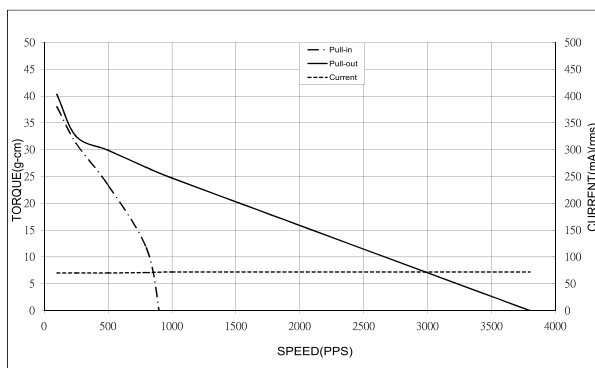
## DIMENSIONS:



Item	2T25X3	
Standard voltage	21.6 V	24 V
Standard Current	160 mA / Phase	300 mA / Phase
Number of phase	4 phase	2 phase
Step angles	15° / Step	7.5° / Step
Excitation	1-2 Bipolar	1-2 Bipolar
pull-out torque	30 g-cm or more / 250 pps	80 g-cm or more / 5000 pps
pull-in torque	30 g-cm or more / 220 pps	120 g-cm or more / 500pps
Holding torque	50 g-cm or more	150 g-cm or more
Resistance per phase	20 Ω	10 Ω
Max pull-out pulse rate	3000 pps or more	10000 pps or more
Max pull-in pulse rate	600 pps or more	1850 pps or more

## CHARACTERISTICS:

### 21.6 V



### 24 V

