



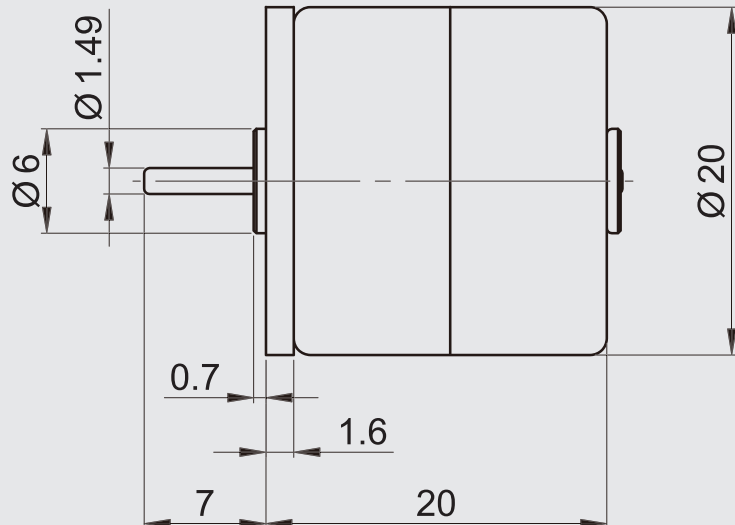
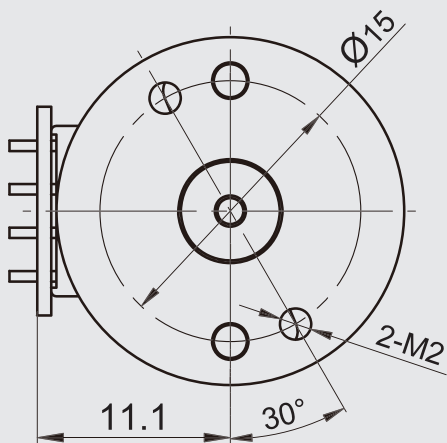
SUMMARY

Especially for small printer.

USES

Surveillance Camera / Label Printer

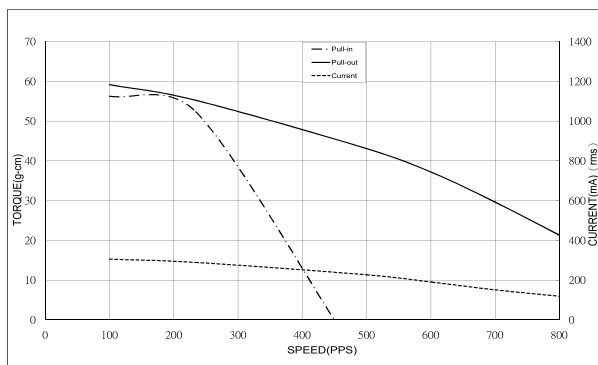
DIMENSIONS:



Item	2T20X4	
Standard voltage	5.2 V	12 V
Standard Current	343 mA / Phase	400 mA / Phase
Number of phase	4 phase	4 phase
Step angles	18° / Step	15° / Step
Excitation	2-2 Bipolar	2-2 Bipolar
pull-out torque	30 g-cm or more / 600 pps	70 g-cm or more / 1000 pps
pull-in torque	50 g-cm or more / 200 pps	75 g-cm or more / 500 pps
Holding torque	65 g-cm or more	115 g-cm or more
Resistance per phase	2.6 Ω	7.0 Ω
Max pull-out pulse rate	765 pps or more	1120 pps or more
Max pull-in pulse rate	380 pps or more	980 pps or more

CHARACTERISTICS:

5.2 V



12 V

